

806/806N

Teileliste und Naheinrichtungen  
Parts List and Sewing Equipment



Alle Rechte vorbehalten.

Eigentum der Dürkopp Adler GmbH und urheberrechtlich geschützt. Jede Wiederverwendung dieser Inhalte, auch in Form von Auszügen, ist ohne vorheriges schriftliches Einverständnis der Dürkopp Adler GmbH verboten.

All rights reserved.

Property of Dürkopp Adler GmbH and protected by copyright. Any reuse of these contents, including extracts, is prohibited without the prior written approval of Dürkopp Adler GmbH.

Copyright © Dürkopp Adler GmbH 2021

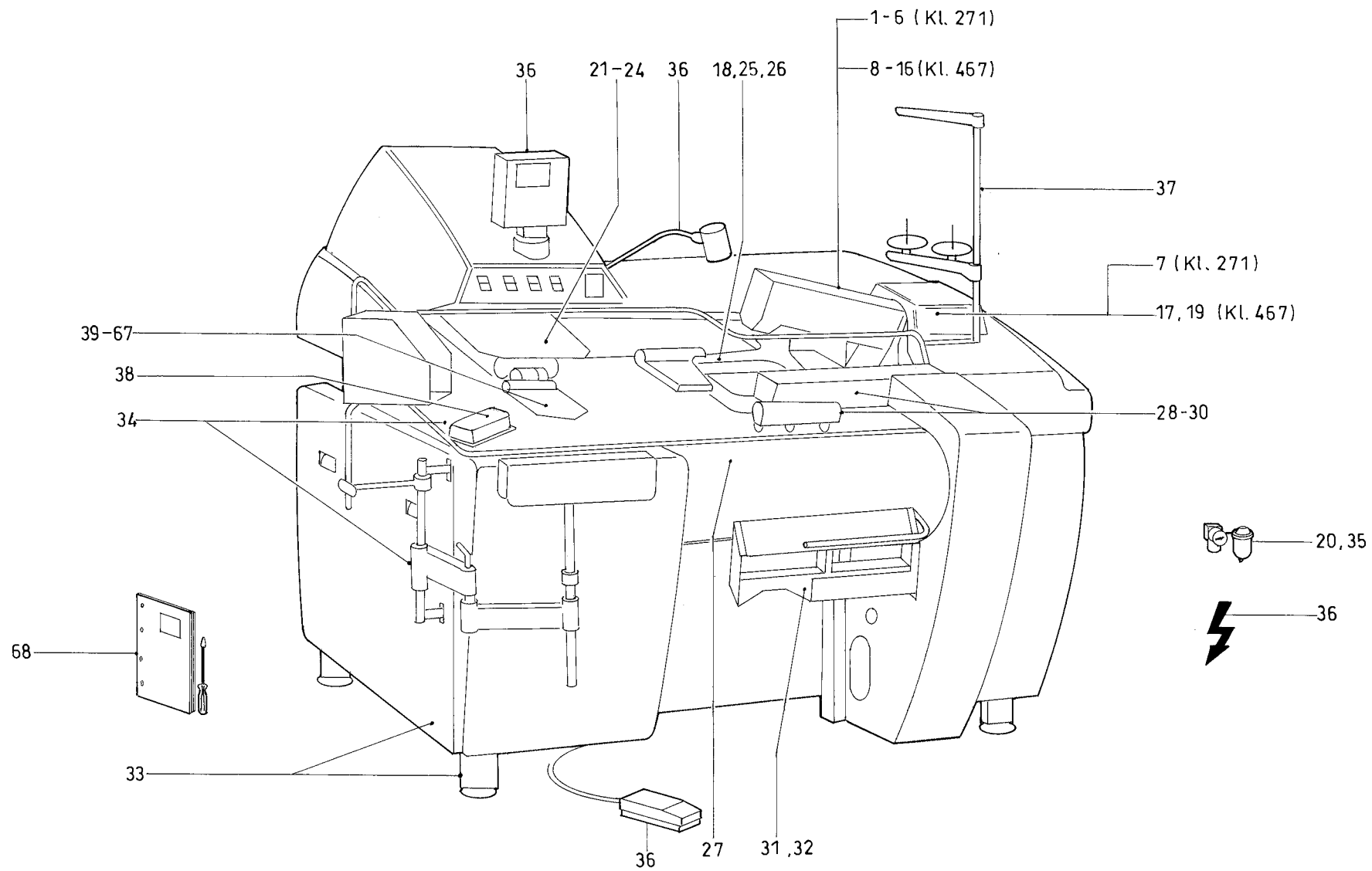
Teilelisten und Näheinrichtungen  
 Parts List and Sewing Equipment  
 806/806N

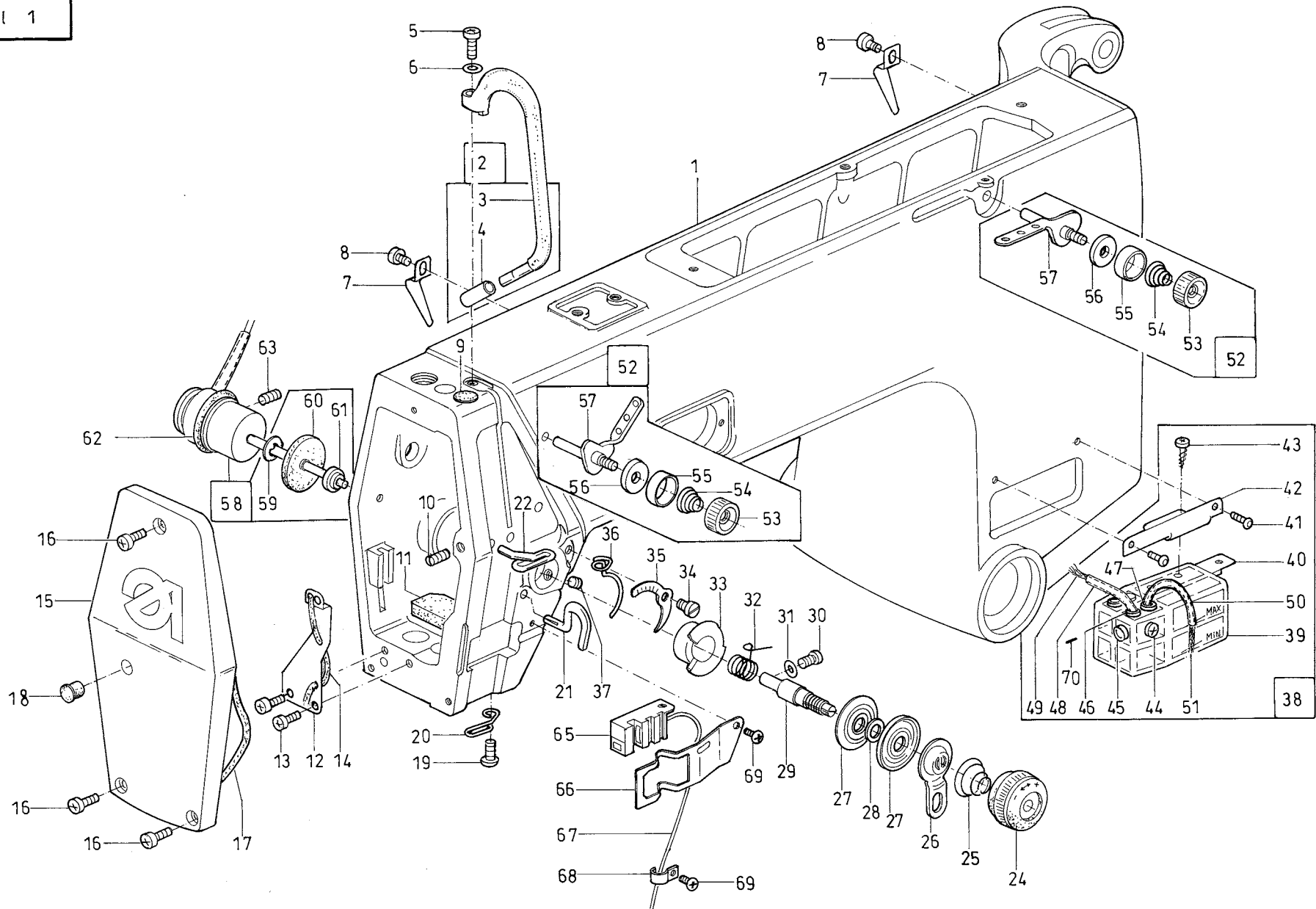
Inhaltsverzeichnis/Table of Contents

| <b>Inhalt</b>                        | <b>Tafel/Table</b> | <b>Content</b>                              |
|--------------------------------------|--------------------|---|
| Nähmaschine 806-121                  | 1-6                | Sewing Machine 806-121                      |
| Nähstation 806-121                   | 7                  | Sewing Place 806-121                        |
| Nähmaschine 806-111                  | 3                  | Sewing Machine 806-111                      |
| Nähstation 806-111                   | 4                  | Sewing Place 806-111                        |
| Grundtype                            | 18, 25-27, 37      | Basic Type                                  |
| Nähantrieb DAC3                      | 18.1, 20           | Sewing Drive DAC3                           |
| Umbugstation                         | 21-24.1            | Folding Station                             |
| Ausroller                            | 28-30              | Ejector                                     |
| Stapler                              | 31, 32             | Stacker                                     |
| Gestell 806N                         | 33.1               | Frame 806N                                  |
| Verkleidung                          | 33                 | Cover                                       |
| Tischplatte, Taschenablage           | 34                 | Table Plate, Support Plate                  |
| Pneumatik                            | 35, 35.1, 35.2     | Pneumatic                                   |
| Bedienfeld, Steuerung,<br>Nähleuchte | 36, 36.1           | Control Panel, Control Unit,<br>Sewing Lamp |
| Etiketteneinleger                    | 38                 | Label Device                                |
| Umbugsatz (F10.../F15...)<br>806-121 | 39-41              | Creasing Set (F10.../F15...)<br>806-121     |
| Umbugsatz (F20.../F25...)<br>806-121 | 42-44              | Creasing Set (F20.../F25...)<br>806-121     |
| Umbugsatz (F30.../F35...)<br>806-121 | 45-47              | Creasing Set (F30.../F35...)<br>806-121     |
| Umbugsatz (F40.../F45...)<br>806-121 | 48-50              | Creasing Set (F40.../F45...)<br>806-121     |
| Umbugsatz (F10.../F15...)<br>806-111 | 51-53              | Creasing Set (F10.../F15...)<br>806-111     |
| Umbugsatz (F20.../F25...)<br>806-111 | 54-56              | Creasing Set (F20.../F25...)<br>806-111     |
| Umbugsatz (F30.../F35...)<br>806-111 | 57-59              | Creasing Set (F30.../F35...)<br>806-111     |
| Umbugsatz (F40.../F45...)<br>806-111 | 60-62              | Creasing Set (F40.../F45...)<br>806-111     |
| Transferplatte                       | 63                 | Transfer Device                             |
| Beipack                              | 68                 | Accessories                                 |
| <br>Näheinrichtungen                 |                    | <br>Sewing Equipment                        |
| Pläne                                |                    | Diagrams                                    |

Teilelisten und Näheinrichtungen  
Parts List and Sewing Equipment  
806/806N

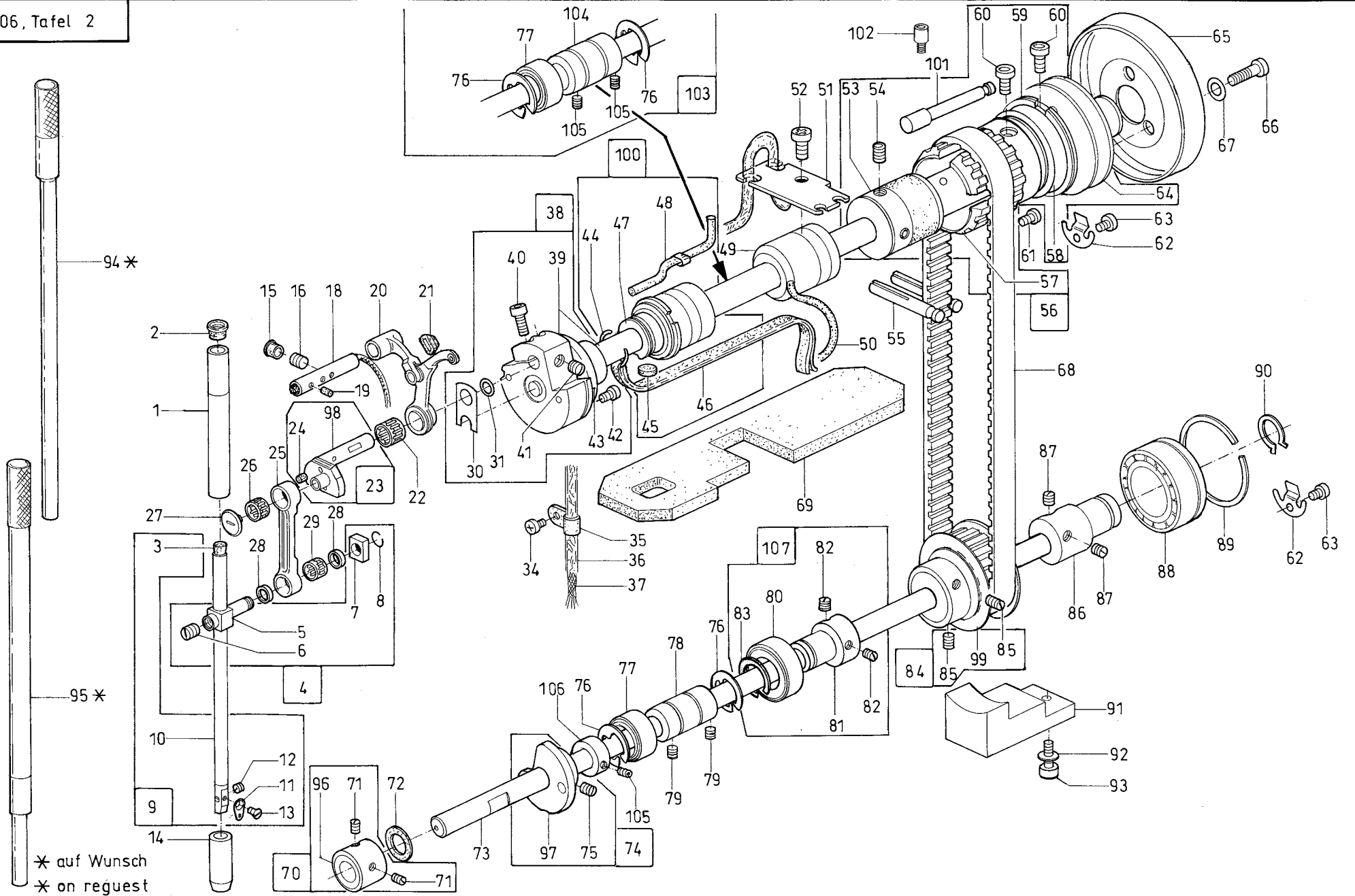






| Pos. | Teile-Nr.   | Benennung   | Denomination                 |
|------|-------------|---|------------------------------|
|      |             | NAEHMASCHINE KL. 806 - 121 / SEWING MACHINE CL.806 -121 |                              |
| 1    | 0271 100010 | ARM V   | arm                          |
| 2    | 0271 000122 | FADENH. SCHUTZ<br>(MIT POS. 3,4)                        | protektor<br>(with pos. 3,4) |
| 3    | 0271 000122 | FADENH. SCHUTZ  | protector                    |
| 4    | 0271 000124 | HUELSE  | bushing                      |
| 5    | 9204 201668 | LINSENSCHR.   | screw                        |
| 6    | 9330 000088 | SCHEIBE   | disc                         |
| 7    | 0271 000011 | KLAMMER   | clamp                        |
| 8    | 9204 201698 | LINSENSCHR.   | screw                        |
| 9    | 0271 000029 | VERSCHL. STOPFEN  | plug                         |
| 10   | 0216 001146 | GEWINDESTIFT  | stud                         |
| 11   | 0271 000009 | FILZTEIL  | felt part                    |
| 12   | 0271 120040 | BLATTFEDER  | leaf spring                  |
| 13   | 9204 201648 | LINSENSCHR.   | screw                        |
| 14   | 9041 100035 | OELDOCHT,RUND   | oil wick,round               |
| 15   | 0271 000226 | KOPFDECKEL  | face plate                   |
| 16   | 9204 201677 | LINSENSCHR.   | screw                        |
| 17   | 0271 000227 | RUNDDICHTRING   | round gasket                 |
| 18   | 9050 050001 | SCHUTZKAPPE   | cap                          |
| 19   | 9217 300518 | HALBRD. SCHRAUBE  | screw                        |
| 20   | 0271 000222 | FADENFUEHRUNG   | thread guide                 |
| 21   | 0211 000459 | FADENLEITHAKEN  | threadguidehook              |
| 22   | 0271 000217 | FADENFUEHRUNG   | thread guide                 |
| 24   | 0271 000238 | SKALAKNOPF  | dial                         |
| 25   | 0271 110030 | FADENSP. FEDER  | thread tension spr.          |
| 26   | 0271 000199 | STEGSCHEIBE   | disc                         |
| 27   | 0211 050214 | SPANNUNGSCHEIBE   | tension washer               |
| 28   | 0271 000201 | RING  | ring                         |
| 29   | 0271 000237 | SPANNUNGSBOLZEN   | tension adjusting s          |
| 30   | 9203 113983 | FLACHKOPFSCHR.  | coutersunk screw             |
| 31   | 0271 000200 | RUNDDICHTRING   | round gasket                 |
| 32   | 0271 000197 | ANZUGSFEDER   | spring                       |
| 33   | 0211 050215 | ANSCHLAGHUELSE  | stop sleeve                  |
| 34   | 9203 113672 | FLACHKOPFSCHR.  | coutersunk screw             |

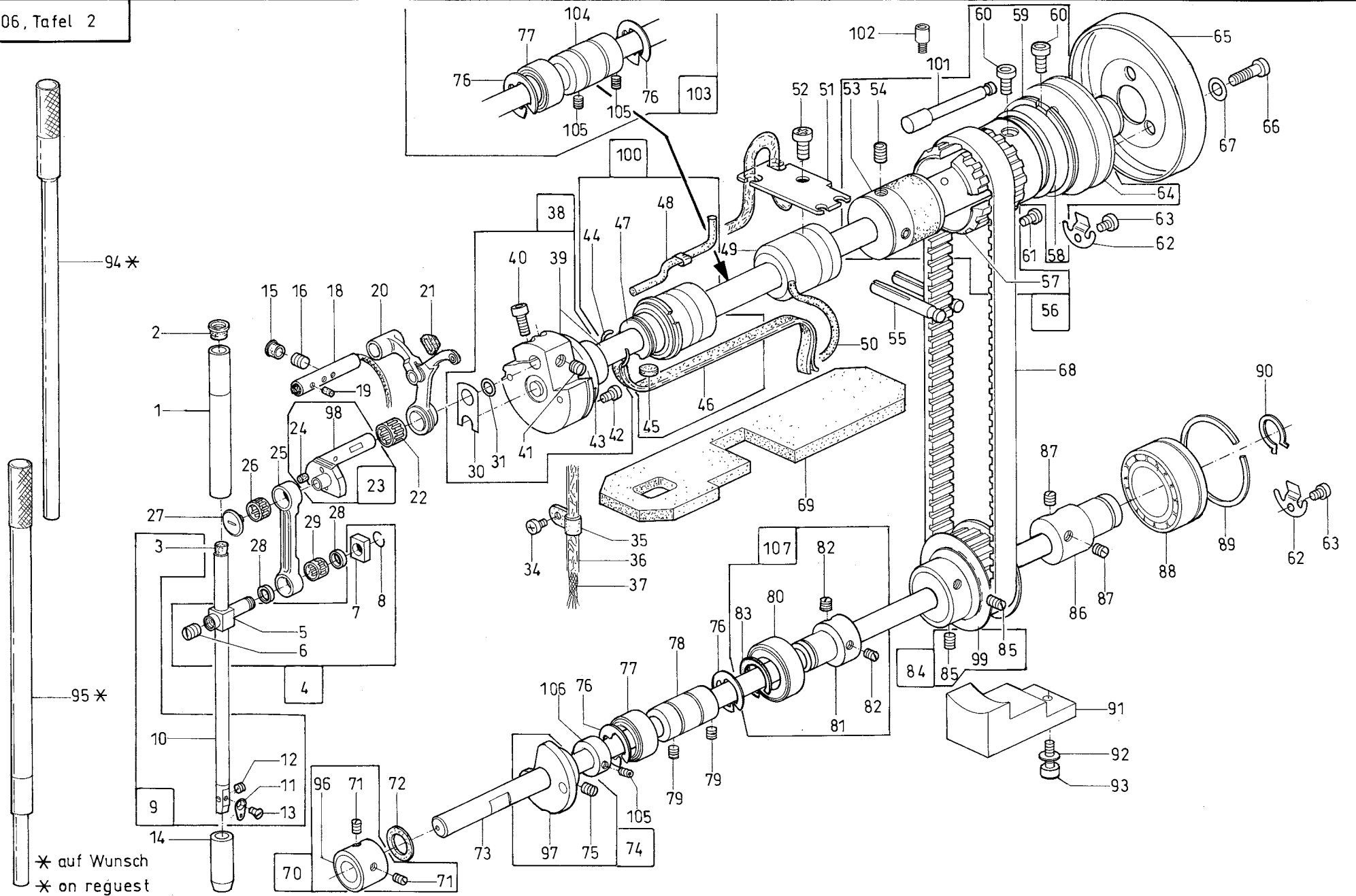
| Pos. | Teile-Nr.     | Benennung                              | Denomination                                  |
|------|---------------|--|---|
| 35   | 0271 000215   | SKALABLECH                             | indicator plate                               |
| 36   | 0271 000212   | FADENREGULATOR                         | threadregulator                               |
| 37   | 9205 102168   | GEWINDESTIFT                           | stud  |
| 38   | 0271 100124   | OELBEHAELTER K.<br>(MIT POS. 39-51)    | oil container cpl.<br>(with pos. 39-51)       |
| 39   | 0271 100120   | OELBEHAELTER                           | oil reservoir                                 |
| 40   | 0556 003088   | BEF. STUECK                            | fasten piece                                  |
| 41   | 9204 201658   | LINSENSCHR.                            | screw   |
| 42   | 0271 100130   | BEF. WINKEL                            | angle   |
| 43   | 9206 100637   | LI-BLECHSCHR.                          | screw   |
| 44   | 0556 003087   | EINFUELLSTOPFEN                        | muff  |
| 45   | 9050 050001   | SCHUTZKAPPE                            | cap   |
| 46   | 0211 000806   | STOPFEN                                | cap   |
| 47   | 0211 000013   | KUNSTST. MUFFE                         | plastik bushing                               |
| 48   | 9731 001045   | OELSCHLAUCH                            | oil hose                                      |
| 49   | 9041 100030   | OELDOCHT, RUND                         | oil wick,round                                |
| 50   | 9731 001035   | OELSCHLAUCH                            | oil hose                                      |
| 51   | 9041 100203   | BAUMWOLLDUCHT                          | wick  |
| 52   | 0271 001391   | FADENLEITWINK.K<br>(MIT POS. 53-57)    | thread angle cpl.<br>(with pos. 53-57)        |
| 53   | 0367 115250   | RAENDELMUTTER                          | knurled nut                                   |
| 54   | 0271 001397   | DRUCKFEDER                             | presser spring                                |
| 55   | 0244 000414   | SPANNHUELSE                            | clamping sleeve                               |
| 56   | 0244 000415   | SPANNUNGSHUELSE                        | tension bush                                  |
| 57   | 0271 001392   | FADENLEITWINK.V                        | thread angle                                  |
| 58   | 9820 110001   | HUBMAGNET K.<br>(MIT POS. 59 - 61, 70) | lifting magnet cpl.<br>(with pos. 59 - 6, 70) |
| 59   | 0271 001385   | SCHEIBE                                | disc  |
| 60   | 0271 001385 A | KAPPE                                  | cap   |
| 61   | 0271 001384   | RING                                   | ring  |
| 62   | 0744 001801 B | RUNDDICHTRING                          | round gasket                                  |
| 63   | 9205 102168   | GEW. STIFT                             | threaded pin                                  |
| 65   | 9815 740001   | FADENWAECHTER                          | catch thread device                           |
| 66   | 9830 515027   | HALTER                                 | holder  |
| 67   | 9870 806018   | LEITUNGSSATZ K                         | cable assembly cpl.                           |
| 68   | 9840 120025   | BEF. SCHELLE                           | clamp   |
| 69   | 9217 300528   | FLACHKOPFSCHR.                         | screw   |
| 70   | 0620 760092   | DRAHT                                  | wire  |



\* auf Wunsch  
\* on request

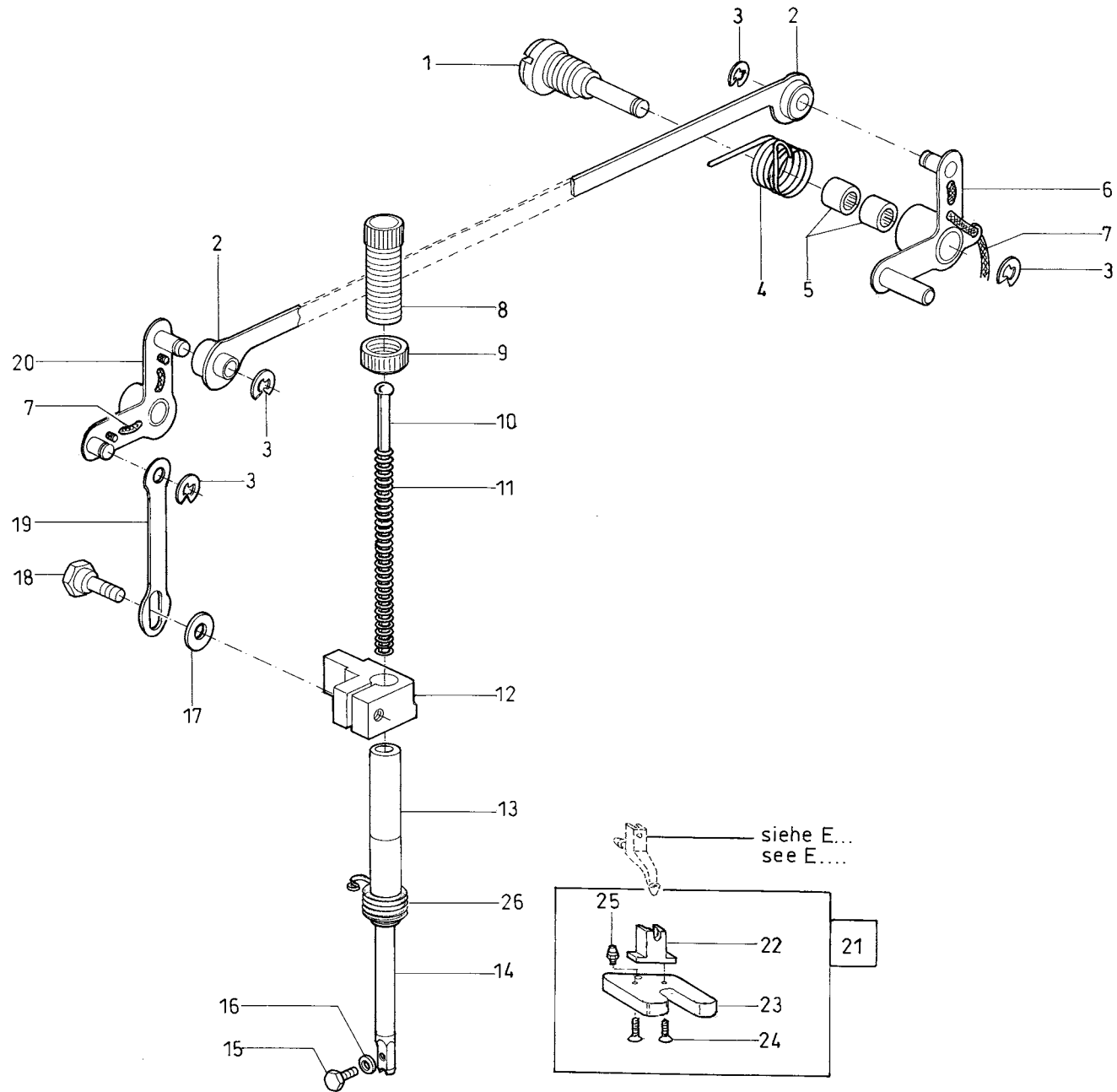
| Pos. | Teile-Nr.      | Benennung   | Denomination                           |
|------|----------------|---|--|
|      |                | NAEHMASCHINE KL. 806 - 121 / SEWING MACHINE CL. 806-121 |  |
| 1    | 0211 000376    | NADELST. BUCHSE   | needle bar bushing                     |
| 2    | 1001 001162    | STOPFEN   | cap                                    |
| 3    | 0570 010007    | GUMMISTOPFEN  | rubber plug                            |
| 5    | 0212 000152    | KREUZKOPF   | crosshead                              |
| 6    | 0223 000646    | GEW. STIFT  | threaded stud                          |
| 7    | 0211 000394    | GLEITSTEIN  | slide stone                            |
| 8    | 0211 000395    | SPRENGRING  | spring ring                            |
| 9    | 0271 120104    | NADELSTANGE K.<br>(MIT POS. 3,10-13)                    | needle bar cpl.<br>(with pos. 3,10-13) |
| 10   | 0271 120133    | NADELSTANGE   | needle bar                             |
| 11   | 0291 000159    | FADENFUEHRUNG   | thread guide                           |
| 12   | 0291 000105    | GEW. STIFT  | threaded pin                           |
| 13   | 9203 312411    | SENKSCHR.   | sunk screw                             |
| 14   | 0211 000381    | NADELST. BUCHSE   | needle bar bushing                     |
| 15   | Z100 011022    | STOPFEN   | plug                                   |
| 16   | 9205 102478    | GEW. STIFT  | threaded pin                           |
| 18   | 0211 000412 A  | FADENH.ACHSE  | threadlev axle                         |
| 19   | 9041 102025    | RUNDFILZ F 048  | felt 1 m                               |
| 20   | 0271 000102    | FADENHEBEL K.   | threadlever                            |
| 21   | 0271 000119    | MANSCHETTE  | cuff                                   |
| 22   | 0211 000408 M1 | NADELKRANZ  | needle rim                             |
| 23   | 0271 120014    | KURBELZAPFEN K.<br>(MIT POS. 24,98)                     | crank cpl.<br>(with pos. 24,98)        |
| 24   | 9041 102025    | RUNDFILZ F 048  | felt 1 m                               |
| 25   | 0211 000390 K  | NADELZUGSTANGE  | needle pull rod                        |
| 26   | 0211 000397 M0 | NADELKRANZ  | needle rim                             |
| 27   | 0211 000398    | SCHRAUBE  | screw                                  |
| 28   | 0211 000391 A  | SCHEIBE   | disc                                   |
| 29   | 0211 000208 M4 | NADELKRANZ  | needle rim                             |
| 30   | 0211 000407    | ANLAGEPLATTE  | plate                                  |
| 31   | 0211 000331    | RUNDDICHRING  | round gasket                           |
| 34   | 9204 201648    | LINSENSCHR.   | screw                                  |
| 35   | 9840 120026    | BEF. SCHELLE  | clamp                                  |
| 36   | 9731 001045    | OELSCHLAUCH   | oil hose                               |

| Pos. | Teile-Nr.        | Benennung                                    | Denomination                              |
|------|------------------|--|---|
| 37   | 9041 100203      | BAUMWOLLDocht                                | wick                                      |
| 38   | 0271 100064      | ARMWELLE K.<br>(MIT POS. 30,31,39-43)        | arm shaft cpl.<br>(with pos. 30,31,39-43) |
| 39   | 0271 100063      | ARMWELLE V                                   | arm shaft                                 |
| 40   | 9202 002488      | ZYL. SCHR.                                   | cyl. screw                                |
| 41   | 0223 000646      | GEWINDESTIFT                                 | stud                                      |
| 42   | 9203 003653      | ZYL. SCHR.                                   | cyl. screw                                |
| 43   | 0211 000332      | RING   | ring                                      |
| 44   | 0211 000306 B    | FEDERRING                                    | spring - locking washer                   |
| 45   | 0211 000305 A    | FILZTEIL                                     | felt                                      |
| 46   | 0002 005889 0700 | OELDOCHT                                     | oil wick                                  |
| 47   | 0211 000302      | ARMLAGER V                                   | arm bearing                               |
| 48   | 0271 000026      | RUNDDOCHT                                    | oil wick                                  |
| 49   | 0211 000316      | ARMW. LAGER                                  | arm shaft bearing                         |
| 50   | 9041 100050      | OELDOCHT,RUND                                | oil wick,round                            |
| 51   | 0271 000054      | LASCHE                                       | shackle                                   |
| 52   | 9204 202268      | LINSENSCHR.                                  | screw                                     |
| 53   | 0271 000324      | BUCHSE V                                     | bushing                                   |
| 54   | 9205 102808      | GEW. STIFT                                   | threaded pin                              |
| 55   | 0558 000450      | KERBSTIFT                                    | dowel pin                                 |
| 56   | 0271 100164      | ZAHNRIEMENRAD V<br>(MIT POS. 53,54,57-60,64) | belt pulley<br>(with pos. 53,54,57-60,64) |
| 57   | 0271 000323      | ZAHNRIEMENRAD                                | belt pulley                               |
| 58   | 9120 080250      | RILLENKUGELLAGER                             | ballbearing                               |
| 59   | 9129 016060      | SPRENGRING                                   | spring ring                               |
| 60   | 9202 002473      | ZYL. SCHR.                                   | cyl. screw                                |
| 61   | 9203 003653      | ZYL. SCHR.                                   | cyl. screw                                |
| 62   | 0933 000075      | HALTEFEDER                                   | holding spring                            |
| 63   | 9204 201648      | LINSENSCHR.                                  | screw                                     |
| 64   | 0271 100090      | HANDRADFLANSCH                               | hand wheel flange                         |
| 65   | 0271 000090      | HANDRAD                                      | balance wheel                             |
| 66   | 9204 201977      | LINSENSCHR.                                  | screw                                     |
| 67   | 0791 001093 A    | SCHEIBE                                      | disc                                      |
| 68   | 0211 000355      | ZAHNRIEMEN                                   | timing belt                               |
| 69   | 0271 100030      | FILZTEIL                                     | felt                                      |
| 70   | 0935 103557      | STELLRING V<br>(MIT POS. 71,96)              | adjusting ring<br>(with pos. 71,96)       |



| Pos. | Teile-Nr.     | Benennung                             | Denomination                                |
|------|---------------|---------------------------------------|---|
| 71   | 0223 000646   | GEWINDESTIFT                          | stud  |
| 72   | 0271 000602   | FILZTEIL                              | felt part                                   |
| 73   | 0271 140020   | UNTERWELLE                            | lover shaft                                 |
| 74   | 0271 000516   | FA-KURVE V<br>(MIT POS. 75,97)        | cam cpl<br>(with pos. 75,97)                |
| 75   | 0223 000646   | GEW. STIFT                            | stud  |
| 76   | 9352 500070   | SICH.-RING                            | ring  |
| 77   | 9122 200150   | NADELHUELSE                           | needle bar bush                             |
| 78   | 0271 140110   | EXZENTER                              | eccentric                                   |
| 79   | 0570 000055   | GEWINDESTIFT                          | stud  |
| 80   | 9120 030151   | RILLENKUGELLAGER                      | ballbearing                                 |
| 81   | 0271 140070   | LAGERHUELSE                           | bearing sleeve                              |
| 82   | 9205 102473   | GEW. STIFT                            | threaded pin                                |
| 83   | 9352 000150   | SICH.RING                             | retainer ring                               |
| 84   | 0211 000141 B | ZAHNRIEMENRAD K.                      | belt pulley cpl.                            |
| 85   | 9205 102788   | GEW. STIFT                            | threaded pin                                |
| 86   | 0396 152180   | LAGERHUELSE                           | bearing bush                                |
| 87   | 9205 102473   | GEW. STIFT                            | threaded pin                                |
| 88   | 9120 080110   | RILLENKUGELLAGER                      | ball bearing                                |
| 89   | 9129 016060   | SPRENGRING                            | spring ring                                 |
| 90   | 9352 000200   | SICH. RING                            | retainer ring                               |
| 91   | 0271 140050   | RIEMENSTUETZE                         | partsupport                                 |
| 93   | 9202 002887   | ZYL. SCHR.                            | cyl. screw                                  |
| 94   | 0271 000316   | MONTAGEDORN<br>ZU POS. 1              | assembling jig<br>for pos. 1                |
| 95   | 0271 000318   | MONTAGEDORN<br>ZU POS. 14             | assembling jig<br>for pos. 14               |
| 96   | 0935 103558   | STELLRING                             | set-ring, adjusting                         |
| 97   | 0271 000517   | FA-KURVE                              | cam   |
| 98   | 0271 120010   | KURBELZAPFEN                          | crank pin                                   |
| 99   | 0211 000141 B | ZAHNRIEMENRAD V                       | belt pulley                                 |
| 100  | 0211 000302   | ARMLAGER K                            | arm bearing cpl.                            |
| 101  | 0271 100180   | GURTHALTER                            | flange holder                               |
| 102  | 0993 941118   | GEW. STIFT                            | threaded pin                                |
| 103  | 0271 130144   | EXZENTER K<br>(MIT POS.76,77,104,105) | eccentric cpl.<br>(with pos. 76,77,104,105) |

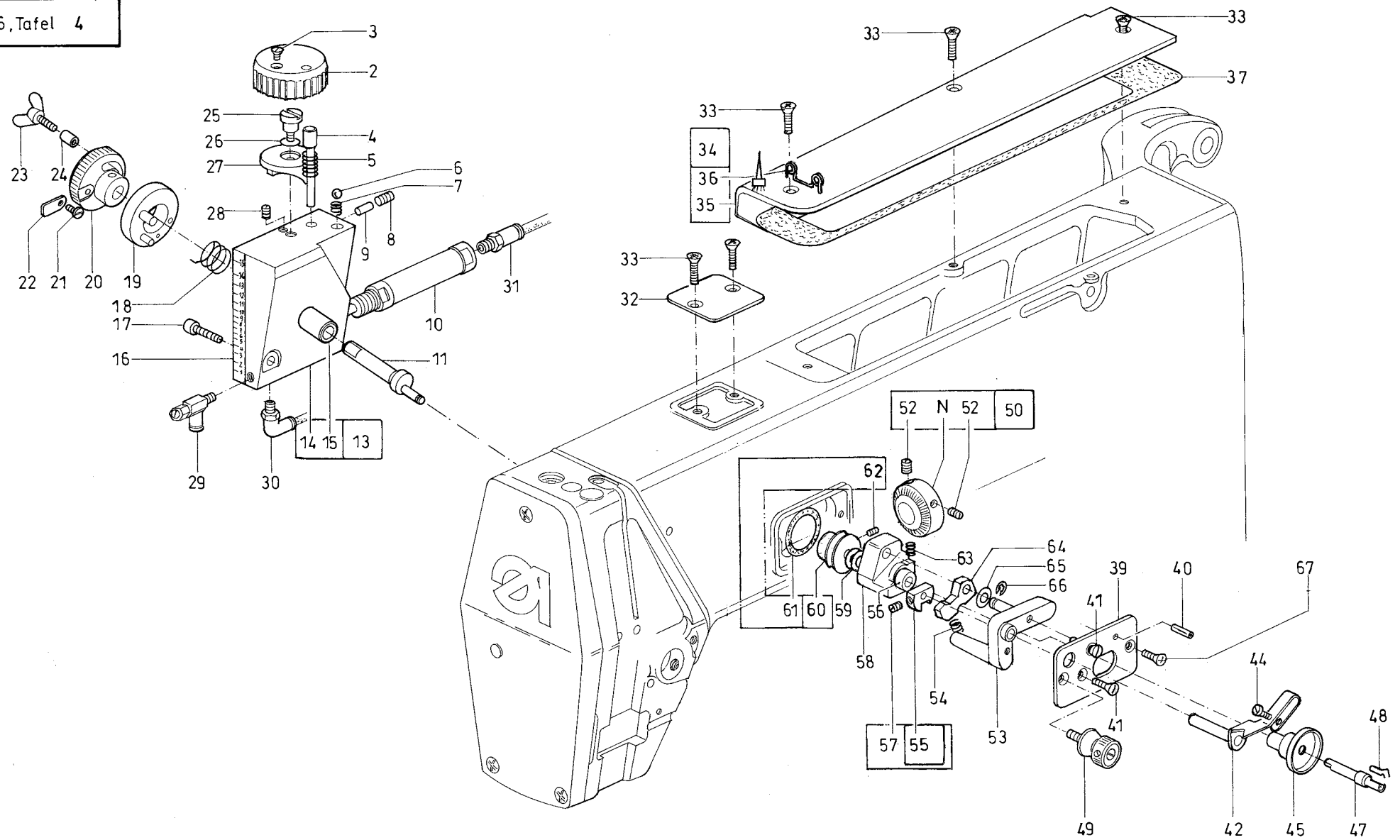
| Pos. | Teile-Nr.   | Benennung        | Denomination        |
|------|-------------|------------------|---------------------|
| 104  | 0271 130140 | EXZENTER         | eccentric           |
| 105  | 0570 000055 | GEW. STIFT       | threaded stud       |
| 106  | 0748 000295 | STELLRING        | set-ring, adjusting |
| 107  | 6279 140164 | LAGERHUELSE K.   | bearing sleeve cpl. |
| 107  |             | (MIT POS. 80-83) | (with pos. 80-83)   |






| Pos. | Teile-Nr.     | Benennung                          | Denomination                            |
|------|---------------|------------------------------------|---|
|      |               | NAEHMASCHINE KL. 806 - 121 /       | SEWING MACHINE 806 - 121                |
| 1    | 0271 130083   | ZAPFENSCHRAUBE V                   | shank screw                             |
| 2    | 0271 130223   | ZUGSTANGE V                        | traction rod                            |
| 3    | 9357 000060   | SICH. SCHEIBE                      | fastennig disc                          |
| 4    | 0271 130130   | DREHFEDER                          | torsion spring                          |
| 5    | 0718 015236   | NADELHUELSE                        | needle socket                           |
| 6    | 0271 130113   | WINKELHEBEL V                      | bent lever                              |
| 7    | 9041 100025   | OELDOCHT, RUND                     | oil wick,round                          |
| 8    | 0540 100850   | REGULIERBUCHSE                     | bushing                                 |
| 9    | 0271 001605   | RAENDELMUTTER                      | knurled nut                             |
| 10   | 0211 000440   | HALBRD .NIET                       | bolt, stud                              |
| 11   | 0211 000439   | DRUCKFEDER                         | presser spring                          |
| 12   | 0271 130010   | LUEFTERKLOBEN                      | lifting block                           |
| 13   | 0211 000432 A | STOFFST. BUCHSE                    | bushing                                 |
| 14   | 0271 130240   | STOFFSTANGE                        | rod                                     |
| 15   | 9201 112457   | 6KT. SCHR.                         | hexagonal screw                         |
| 16   | 9330 000087   | SCHEIBE                            | disc                                    |
| 17   | 9334 102110   | STUETZSCHEIBE                      | washer                                  |
| 18   | 0271 130030   | ANSATZSCHRAUBE                     | shoulder screw                          |
| 19   | 0271 130020   | ZUGSTANGE                          | traction rod                            |
| 20   | 0271 130043   | WINKELHEBEL V                      | bent lever                              |
| 21   | 0396 222654   | DRUECKERFUSS V<br>(MIT POS. 22-25) | pressure foot cpl.<br>(with pos. 22-25) |
| 22   | 0396 222670   | FUSSHALTER                         | foot holder                             |
| 23   | 0396 222660   | DRUCKPLATTE                        | pressure plate                          |
| 24   | 9203 313077   | SENKSCHR.                          | screw                                   |
| 25   | 0797 002016   | SCHLAUCHTUELLE                     | socket                                  |
| 26   | 0271 130270   | KLEMMFEDER                         | lock spring                             |

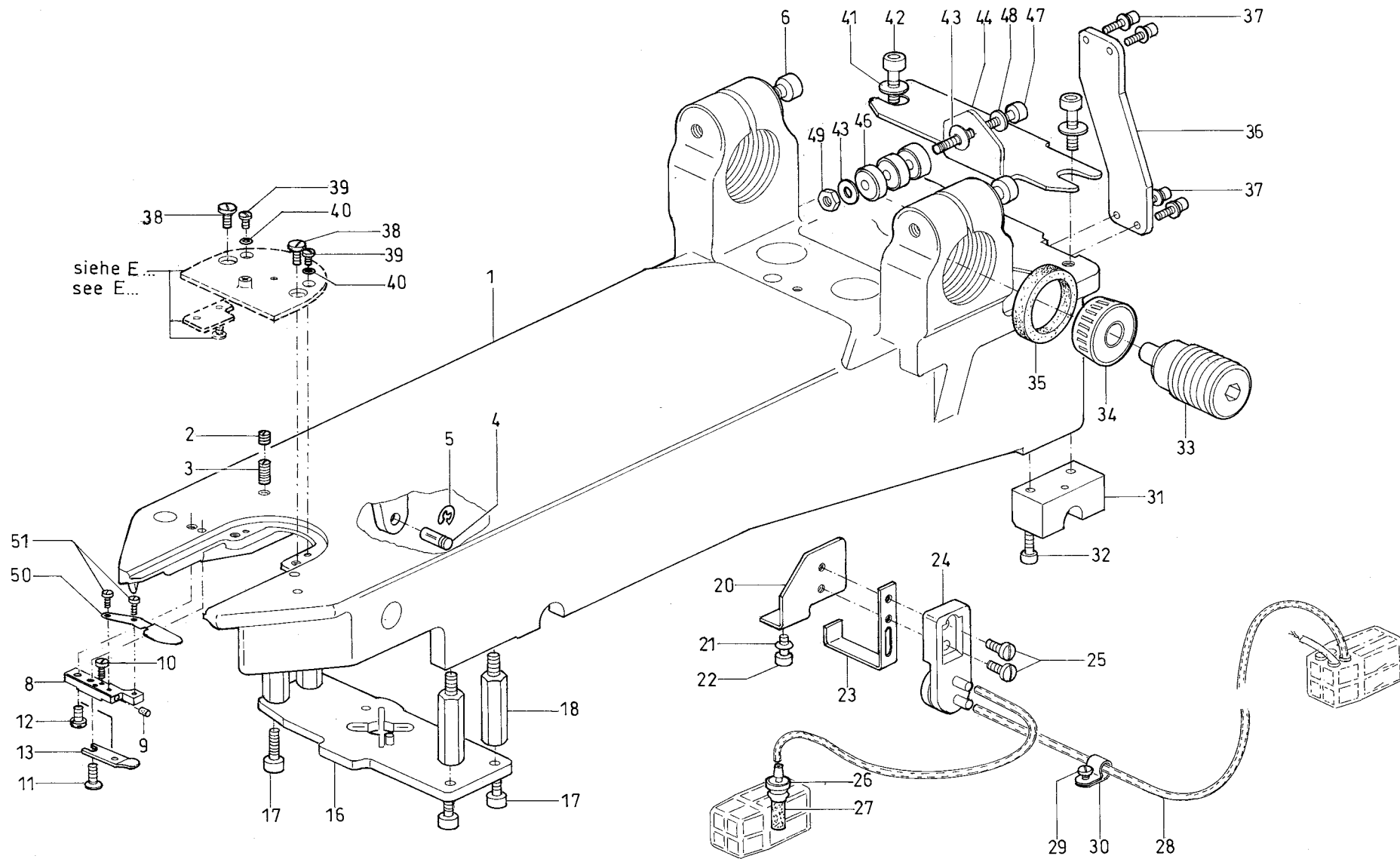
| Pos. | Teile-Nr. | Benennung | Denomination |
|------|-----------|-----------|--------------|
|------|-----------|-----------|--------------|



 —geklebt  $\triangleq$  bonded    N nicht als Einzelteil lieferbar / not available as separate part

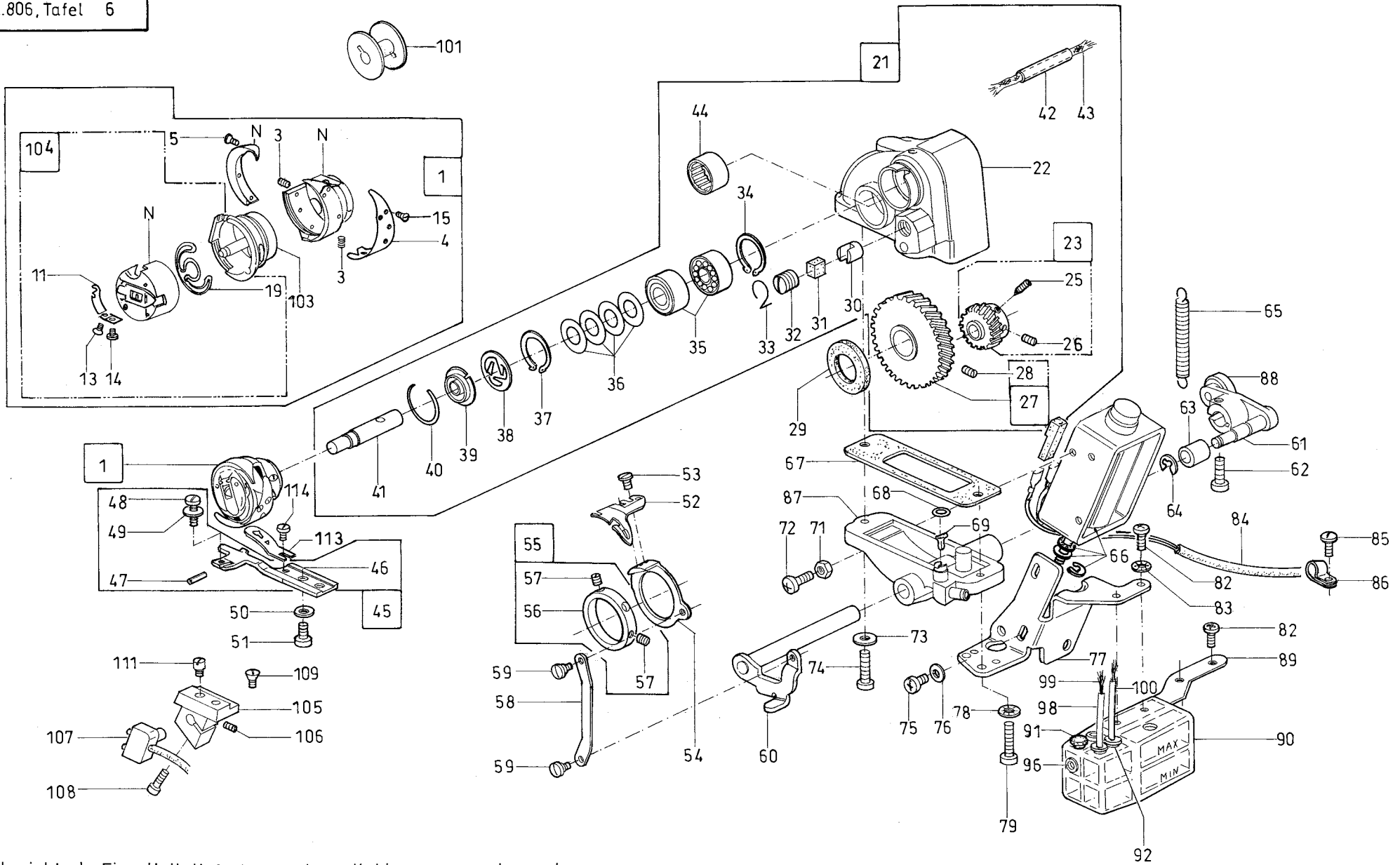
| Pos. | Teile-Nr.   | Benennung  | Denomination                     |
|------|-------------|--|----------------------------------|
|      |             | NAEHMASCHINE KL. 806 - 121 / SEWING MACHINE CL. 806 -121 |                                  |
| 2    | 0396 342550 | EINST. KNOPF   | reg button                       |
| 3    | 9203 313047 | SENKSCHR.  | sunk screw                       |
| 4    | 0271 130190 | PISTON   | piston                           |
| 5    | 0030 001340 | FEDER  | spring                           |
| 6    | 0996 060250 | KUGEL  | ball                             |
| 7    | 0098 002990 | DRUCKFEDER   | presser spring                   |
| 8    | 9205 102178 | GEW. STIFT   | threaded pin                     |
| 9    | 0396 343150 | BOLZEN   | bolt, stud                       |
| 10   | 9700 102340 | ZYLINDER, EINF.  | cylinder                         |
| 11   | 0271 130160 | EXZENTERBOLZEN   | eccentric bolt                   |
| 13   | 0271 130153 | LAGERBOCK V<br>(MIT POS. 14,15)                          | fit bracket<br>(with pos. 14,15) |
| 14   | 0271 130152 | LAGERBOCK  | fit bracket                      |
| 15   | 0568 340530 | BUCHSE   | bushing                          |
| 16   | 0271 130200 | KLEBESCHILD  | sticker                          |
| 17   | 9202 002517 | ZYL.SCHR.  | cyl. screw                       |
| 18   | 0396 342580 | DREHFEDER  | spring                           |
| 19   | 0396 343073 | STELLSCHEIBE V   | adj disc                         |
| 20   | 0271 130170 | BUNDBUCHSE   | bushing                          |
| 21   | 0211 000256 | ZYL. SCHRAUBE  | cylinder screw                   |
| 22   | 0271 130180 | ZEIGER   | indicator                        |
| 23   | 9217 000157 | FLUEGELSCHR.   | fly screw                        |
| 24   | 0802 511690 | BUCHSE   | bushing                          |
| 25   | 0993 991910 | FL.KOPFSCHR.   | countersunk screw                |
| 26   | 0998 881520 | PASZSCHEIBE 0,5  | washer 0,5                       |
| 26   | 0998 885050 | PASZSCHEIBE 0,15   | washer 0,15                      |
| 27   | 0568 340090 | EINST. SCHEIBE   | reg disc                         |
| 28   | 0271 000756 | GEW. STIFT   | threaded pin                     |
| 29   | 9710 920012 | VENTIL,DROSSEL   | valve reactor                    |
| 30   | 9790 201000 | VERSCHR.WI-E   | coupling                         |
| 31   | 9790 200001 | GD-E -VERSCHR.   | coupling                         |
| 32   | 0272 070455 | DECKEL   | cover                            |
| 33   | 0271 000298 | LINSENSENKSCHR.  | sunk screw                       |
| 34   | 0271 100114 | ARMDECKEL V  | arm cover                        |

| Pos. | Teile-Nr.   | Benennung                        | Denomination                            |
|------|-------------|----------------------------------|---|
|      |             | (MIT POS. 35,36)                 | (with pos. 35,36)                       |
| 35   | 0271 100110 | ARMDECKEL                        | arm winder                              |
| 36   | 0271 100150 | FADENFUEHRUNG                    | thread guide                            |
| 37   | 0271 000300 | DICHTUNG                         | gasket                                  |
| 39   | 0271 170020 | SPULERPLATTE                     | bobbin winder plate                     |
| 40   | 0231 000453 | SPANNSTIFT                       | pin                                     |
| 41   | 9203 313652 | SENKSCHR.                        | sunk screw                              |
| 42   | 0268 170103 | AUSLOESEHEBEL V<br>(MIT POS. 44) | release lever<br>(with pos. 44)         |
| 44   | 9203 003057 | ZYL. SCHR.                       | cyl. screw                              |
| 45   | 0268 170110 | BUNDBUCHSE                       | bushing                                 |
| 47   | 0271 170030 | SPULERWELLE                      | bobbin winder shaft                     |
| 48   | 0271 000275 | SPULENFEDER                      | spring                                  |
| 49   | 0271 000251 | SCHNEIDKLEMME                    | cutting clamp                           |
| 50   | 0271 170044 | REIBRAD K<br>(MIT POS. 51,52)    | partfriction cpl.<br>(with pos. 51,52)  |
| 52   | 0216 001146 | GEWINDESTIFT                     | stud                                    |
| 53   | 0268 170063 | SPULERBOCK                       | winder block                            |
| 54   | 0396 170080 | DRUCKFEDER                       | presser spring                          |
| 55   | 0396 170283 | AUSLOESENOCCK.V<br>(MIT POS. 57) | release cam<br>(with pos. 57)           |
| 56   | 0396 170060 | HUELSE                           | bushing                                 |
| 57   | 9205 162168 | GEW. STIFT                       | threaded pin                            |
| 58   | 0268 170030 | SPULERARM                        | bobbin winder arm                       |
| 59   | 9330 000097 | SCHEIBE                          | disc                                    |
| 60   | 0367 170083 | SPULERRAD V<br>(MIT POS. 61,62)  | bobbin winder cpl.<br>(with pos. 61,62) |
| 61   | 0998 861590 | O-RING                           | ring                                    |
| 62   | 9205 102168 | GEW. STIFT                       | threaded pin                            |
| 63   | 0067 320150 | DRUCKFEDER                       | presser spring                          |
| 64   | 0396 170270 | EINRUECKKLOBEN                   | block                                   |
| 65   | 9334 001120 | PASSSCHEIBE                      | washer                                  |
| 66   | 9357 000050 | SICH. SCHEIBE                    | fastennig disc                          |
| 67   | 9225 201750 | SENKSCHR.                        | sunk screw                              |



| Pos. | Teile-Nr.   | Benennung  | Denomination      |
|------|-------------|--|-------------------|
|      |             | NAEHMACHINE KL. 806 - 121 / SEWING MACHINE CL. 806 - 121 |                   |
| 1    | 0271 140010 | FUNDAMENTPLATTE  | base plate        |
| 2    | 0531 000464 | GEW. STIFT   | threaded stud     |
| 3    | 0264 000762 | GEWINDESTIFT   | threaded stud     |
| 4    | 0271 140030 | BOLZEN   | bolt              |
| 5    | 9357 000080 | SICH. SCHEIBE  | fastennig disc    |
| 6    | 9202 003747 | ZYL. SCHR.   | cyl. screw        |
| 8    | 0271 350080 | KLOBEN   | block             |
| 9    | 0271 001494 | STOPFEN  | plug              |
| 10   | 0271 001495 | ZYL.SCHR.  | cyl. screw        |
| 11   | 0271 001499 | LINSENSCHR.  | screw             |
| 12   | 9204 201827 | LINSENSCHR.  | screw             |
| 13   | 0271 001497 | MESSER   | knife             |
| 16   | 0271 140200 | RASTPLATTE   | plate             |
| 17   | 9201 113277 | 6KT. SCHR.   | hexagonal screw   |
| 18   | 0269 100120 | BOLZEN   | bolt, stud        |
| 20   | 0271 140120 | WINKEL   | angle             |
| 21   | 9330 200098 | SCHEIBE  | disc              |
| 22   | 9204 201658 | LINSENSCHR.  | screw             |
| 23   | 0271 140130 | BLATTFEDER   | leaf spring       |
| 24   | 0933 001544 | PUMPE  | pump              |
| 25   | 9203 100631 | FLACHKOPFSCHR.   | countersunk screw |
| 26   | 0271 140190 | NIPPEL   | fitting           |
| 27   | 0933 001565 | SINTERTEIL   | sinter part       |
| 28   | 9731 001035 | OELSCHLAUCH  | oil hose          |
| 29   | 9204 201648 | LINSENSCHR.  | screw             |
| 30   | 9840 120026 | BEF.SCHELLE  | clamp             |
| 31   | 0806 400190 | FUEHRUNGSBOLZEN  | guide piece       |
| 32   | 9202 002917 | ZYL.SCHR.  | cyl. screw        |
| 33   | 0467 100610 | LAGERBOLZEN  | bearing bolt      |
| 34   | 0996 760500 | KEGELROLL.LAGER  | bearing           |
| 35   | 0999 231318 | DICHTRING  | gasket ring       |
| 36   | 0271 100140 | TRANSPORTSTUETZE   | support           |
| 37   | 9202 002897 | ZYL.SCHR.  | cyl. screw        |
| 38   | 0219 000353 | LINSENSCHRAUBE   | screw             |

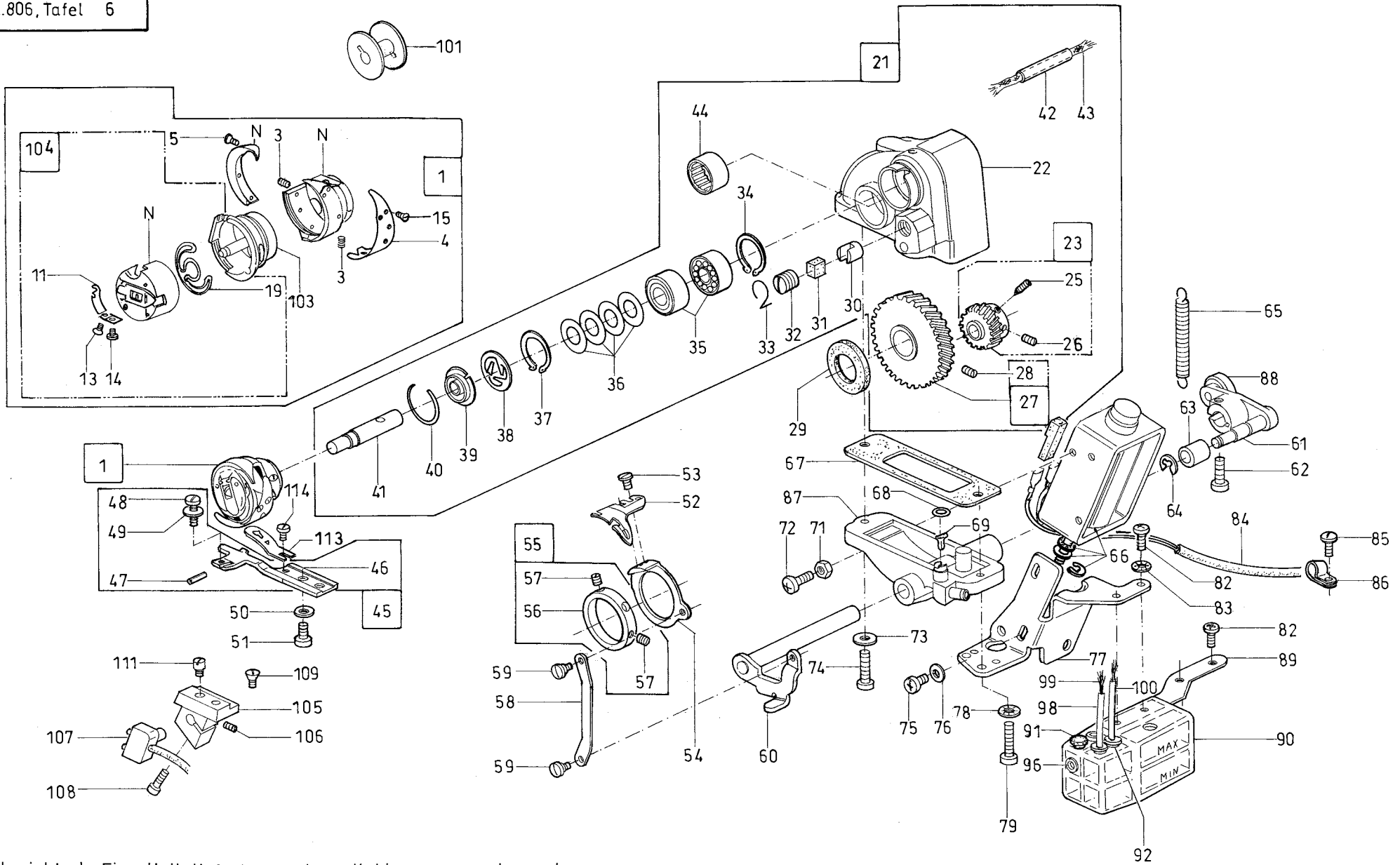
| Pos. | Teile-Nr.   | Benennung       | Denomination  |
|------|-------------|-----------------|---------------|
| 39   | 0933 022567 | LINSENSCHR.     | screw         |
| 40   | 0272 070886 | SCHEIBE         | disc          |
| 41   | 9202 002887 | ZYL.SCHR.       | cyl. screw    |
| 42   | 9330 000107 | SCHEIBE         | disc          |
| 43   | 9334 001640 | PASSSCHEIBE 0,5 | washer        |
| 44   | 0271 140160 | RIEMENSPANNER   | belt tension  |
| 46   | 9120 030081 | RILLENKULA.     | bearing       |
| 47   | 9202 003347 | ZYL.SCHR. M8X40 | cyl. screw    |
| 48   | 9330 000127 | SCHEIBE 8,4     | screw         |
| 49   | 9234 000107 | 6KT. MUTTER     | hexagonal nut |
| 50   | 0271 150160 | NADELFUEHRUNG   | needle guide  |
| 51   | 9203 003621 | ZYL. SCHR.      | cyl. screw    |



N=nicht als Einzelteil lieferbar =not available as separate part

| Pos. | Teile-Nr.     | Benennung  | Denomination                           |
|------|---------------|--|--|
|      |               | NAEHMASCHINE KL. 806 - 121 / SEWING MACHINE CL. 806 -121 |  |
| 1    | 0271 150034   | GREIFER K<br>(MIT POS.3-5, 103, 104)                     | hook cpl.<br>(with pos. 3-5, 103, 104) |
| 3    | 0271 000756   | GEW. STIFT   | threaded pin                           |
| 4    | 0271 000759   | FADENZIEHBLECH   | thread pulling sheet                   |
| 5    | 0271 150080   | SENKSCHR.  | screw                                  |
| 11   | 0211 001127   | SPANNUNGSFEDER   | tension spring                         |
| 13   | 0271 150070   | BEF. SCHRAUBE  | screw                                  |
| 14   | 0211 001129   | ZYL .SCHR.   | cyl. screw                             |
| 15   | 0271 150090   | SENKSCHRAUBE   | countersunk screw                      |
| 19   | 0271 150060   | BREMSFEDER   | brake spring                           |
| 21   | 0271 000455   | GETR. GEHAEUSE V   | gear box                               |
| 22   | 0271 000456   | GETR. GEHAEUSE V   | gear box                               |
| 23   | 0211 000018   | ZAHNRAD V<br>(MIT POS. 25-26)                            | cog wheel<br>(with pos. 25-26)         |
| 25   | 0223 000237   | GEW. STIFT   | threaded stud                          |
| 26   | 0223 000238   | GEW. STIFT   | threaded stud                          |
| 27   | 0216 000070   | ZAHNRAD V<br>(MIT POS.28)                                | cog wheel<br>(with pos. 28)            |
| 28   | 0244 000700   | GEWINDESTIFT   | threaded stud                          |
| 29   | 0211 000022   | FILZRING   | felt ring                              |
| 30   | 0265 000753   | DRUCKHUELSE  | pressure bushing                       |
| 31   | 0211 008285   | DRUCKBOLZEN  | presser bolt                           |
| 32   | 0211 000634   | SCHRAUBE   | screw                                  |
| 33   | 0271 000474   | ARRETIERFEDER  | locking spring                         |
| 34   | 0211 000025   | SICH. RING   | retainer ring                          |
| 35   | 9120 030081   | RILLENKUGELLAGER   | ballbearing                            |
| 36   | 0211 000027   | TELLERFEDER  | spring                                 |
| 37   | 0211 000025   | SICH. RING   | retainer ring                          |
| 38   | 0211 000648   | FEDERSCHEIBE   | spring disc                            |
| 39   | 0211 000646 A | OELSCHEIBE   | oil disc                               |
| 40   | 0211 000644   | SPRENGRING   | spring ring                            |
| 41   | 0271 000463   | GREIFERWELLE   | hook shaft                             |
| 42   | 9731 007035   | OELSCHLAUCH  | oil hose                               |
| 43   | 9041 100035   | OELDOCHT,RUND  | oil wick,round                         |
| 44   | 0271 000462   | NADELLAGER   | taper bearing                          |

| Pos. | Teile-Nr.   | Benennung                         | Denomination                                  |
|------|-------------|-----------------------------------|---|
| 45   | 0271 140174 | SPGH .HALTER V<br>(MIT POS.46-49) | bobbin case support cpl.<br>(with pos. 46-49) |
| 46   | 0271 140170 | SPGH. HALTER                      | bobbin case support                           |
| 47   | 0271 140180 | FEDERDRAHT                        | spring wire                                   |
| 48   | 9203 100002 | FLACHKOPFSCHR.                    | countersunk screw                             |
| 49   | 9330 900077 | SCHEIBE                           | disc  |
| 50   | 9330 000098 | SCHEIBE                           | disc  |
| 51   | 9204 201958 | LINSENSCHR.                       | screw   |
| 52   | 0271 001483 | HAKENMESSER                       | hook - shaped knife                           |
| 53   | 0933 063984 | LINSENSCHR.                       | screw   |
| 54   | 0271 350030 | MESSERTRAEGER                     | part  |
| 55   | 0271 001485 | STELLRING V<br>(MIT POS. 56,57)   | adjusting ring<br>(with pos. 56,57)           |
| 56   | 0271 001486 | STELLRING                         | adjusting ring                                |
| 57   | 0223 000937 | GEWINDESTIFT                      | stud  |
| 58   | 0271 001489 | ZUGSTANGE                         | draught-rod                                   |
| 59   | 0556 000895 | ZAPFENSCHRAUBE                    | screw   |
| 60   | 0271 001452 | HEBEL V                           | lever   |
| 61   | 0271 001456 | HEBEL V                           | lever   |
| 62   | 9202 002488 | ZYL.SCHR.                         | cyl. screw                                    |
| 63   | 0271 001466 | ROLLE                             | roll, roller                                  |
| 64   | 9357 000070 | SICH. SCHEIBE                     | fastennig disc                                |
| 65   | 0271 001472 | ZUGFEDER                          | tensile spring                                |
| 66   | 0271 001435 | HUBMAGNET V                       | strokemagnet                                  |
| 67   | 0211 000014 | DICHTUNG                          | gasket  |
| 68   | 0244 000886 | RUNDDICHTRING                     | seal ring                                     |
| 69   | 0271 001248 | DOCHTHALTER                       | wick holder                                   |
| 71   | 9231 110058 | 6KT. MUTTER                       | hexagonal nut                                 |
| 72   | 9204 201668 | LINSENSCHR.                       | screw   |
| 73   | 9330 900098 | SCHEIBE                           | disc  |
| 74   | 9204 201698 | LINSENSCHR.                       | screw   |
| 75   | 9204 201827 | LINSENSCHR.                       | screw   |
| 76   | 9330 200098 | SCHEIBE                           | disc  |
| 77   | 0271 001237 | HALTER                            | holder  |
| 78   | 9333 000090 | ZAHNSCHEIBE                       | toothed washer                                |
| 79   | 9204 201698 | LINSENSCHR.                       | screw   |
| 82   | 9204 201648 | LINSENSCHR.                       | screw   |

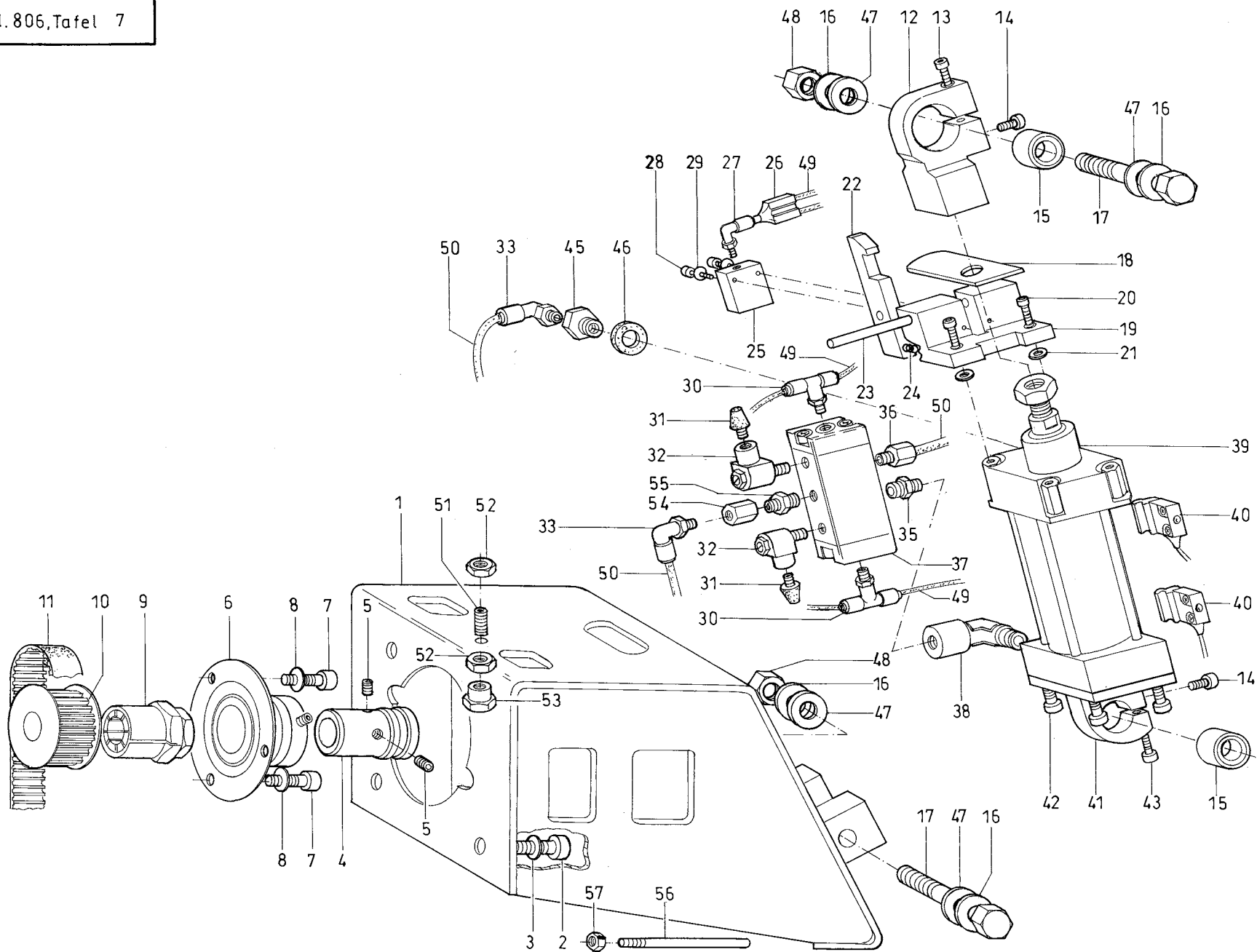


N=nicht als Einzelteil lieferbar =not available as separate part



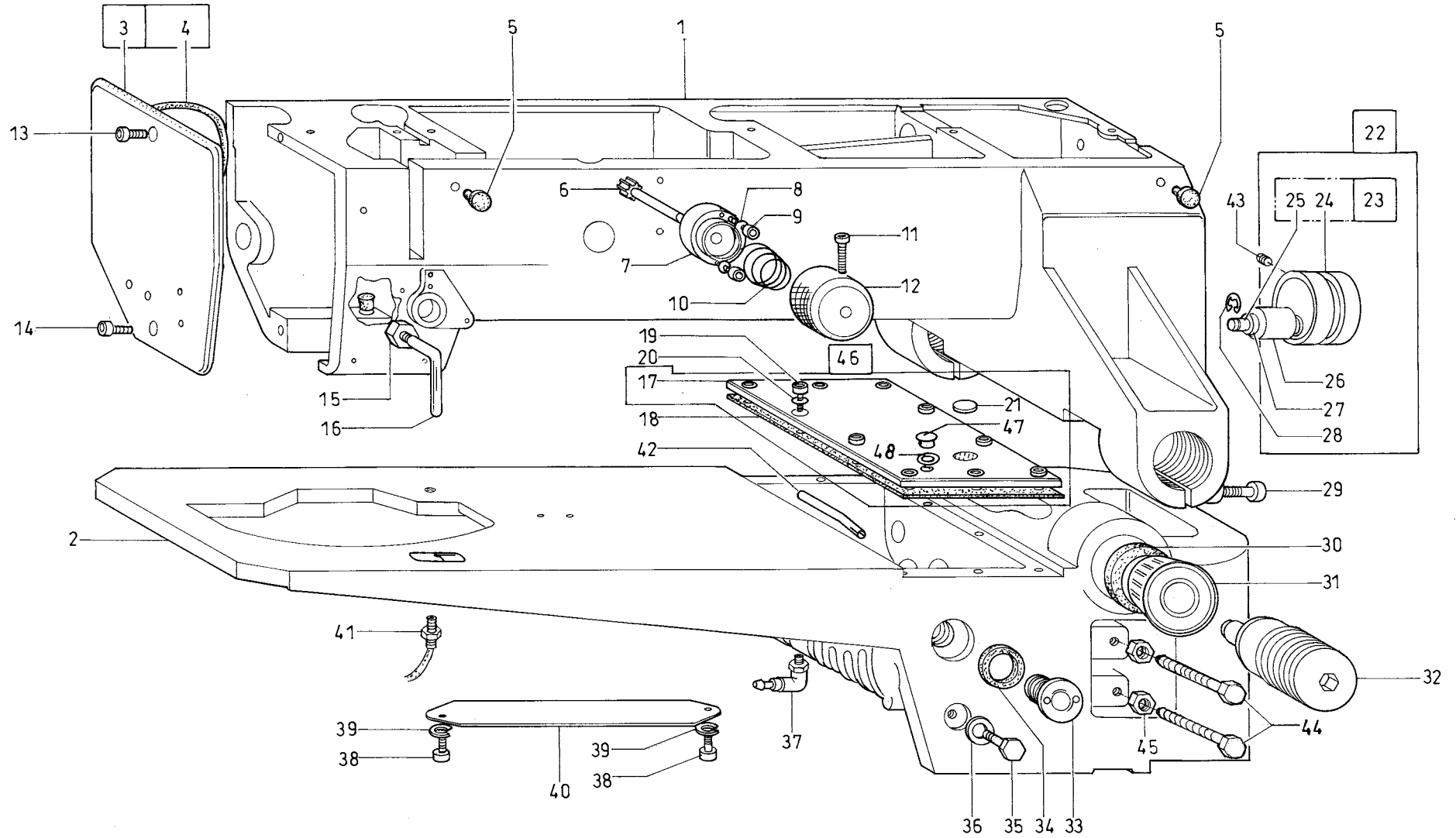
| Pos. | Teile-Nr.     | Benennung                                     | Denomination  |
|------|---------------|---|---|
| 83   | 0739 000347   | ZAHNSCHEIBE                                   | toothed washer  |
| 84   | 9870 271003   | LEITUNG K                                     | cable assembly  |
| 85   | 9204 201648   | LINSENSCHR.                                   | screw   |
| 86   | 9840 120026   | BEF. SCHELLE                                  | clamp   |
| 87   | 0271 001410   | GETR.DECKEL                                   | gear cover  |
| 88   | 0211 000806   | STOPFEN                                       | cap   |
| 88   | 9120 030050   | RILLENKUGELLAGER                              | ballbearing   |
| 89   | 0271 140090   | BEF. WINKEL                                   | fastening angle   |
| 90   | 0271 140080   | OELBEHAELTER                                  | oil container   |
| 91   | 0999 220752   | FILTEREINSATZ                                 | filter insert   |
| 92   | 0211 000806   | STOPFEN                                       | cap   |
| 96   | 9050 050001   | SCHUTZKAPPE                                   | cap   |
| 98   | 9731 001045   | OELSCHLAUCH                                   | oil hose  |
| 99   | 9041 100025   | OELDOCHT,RUND                                 | oil wick,round  |
| 100  | 9731 001045   | OELSCHLAUCH                                   | oil hose  |
| 101  | 0204 000230 A | SPULE   | bobbin  |
| 103  | 0271 150040   | SPGH. UNTERTEIL                               | bobbin case, lover part                                   |
| 104  | 0271 150054   | SPGH. OBERTEIL K<br>(MIT POS. 11, 13, 14, 19) | bobbin case, upper part cpl.<br>(with pos. 11, 13,14, 19) |
| 105  | 0935 105193   | HALTER  | holder  |
| 106  | 0531 000464   | GEW. STIFT                                    | threaded stud   |
| 107  | 9815 925002   | LICHTSCHRANKE                                 | light barrier   |
| 108  | 9202 002093   | ZYL. SCHR.                                    | cyl. screw  |
| 109  | 9204 002097   | SENKSCHR.                                     | countersunk screw   |
| 111  | 0558 000269   | ROLLENBOLZEN                                  | roller bolt   |
| 113  | 0271 350020   | LEITBLECH                                     | plate   |
| 114  | 0702 000063   | ZYL. SCHR.                                    | cyl.screw   |

| Pos. | Teile-Nr. | Benennung | Denomination |
|------|-----------|-----------|--------------|
|------|-----------|-----------|--------------|



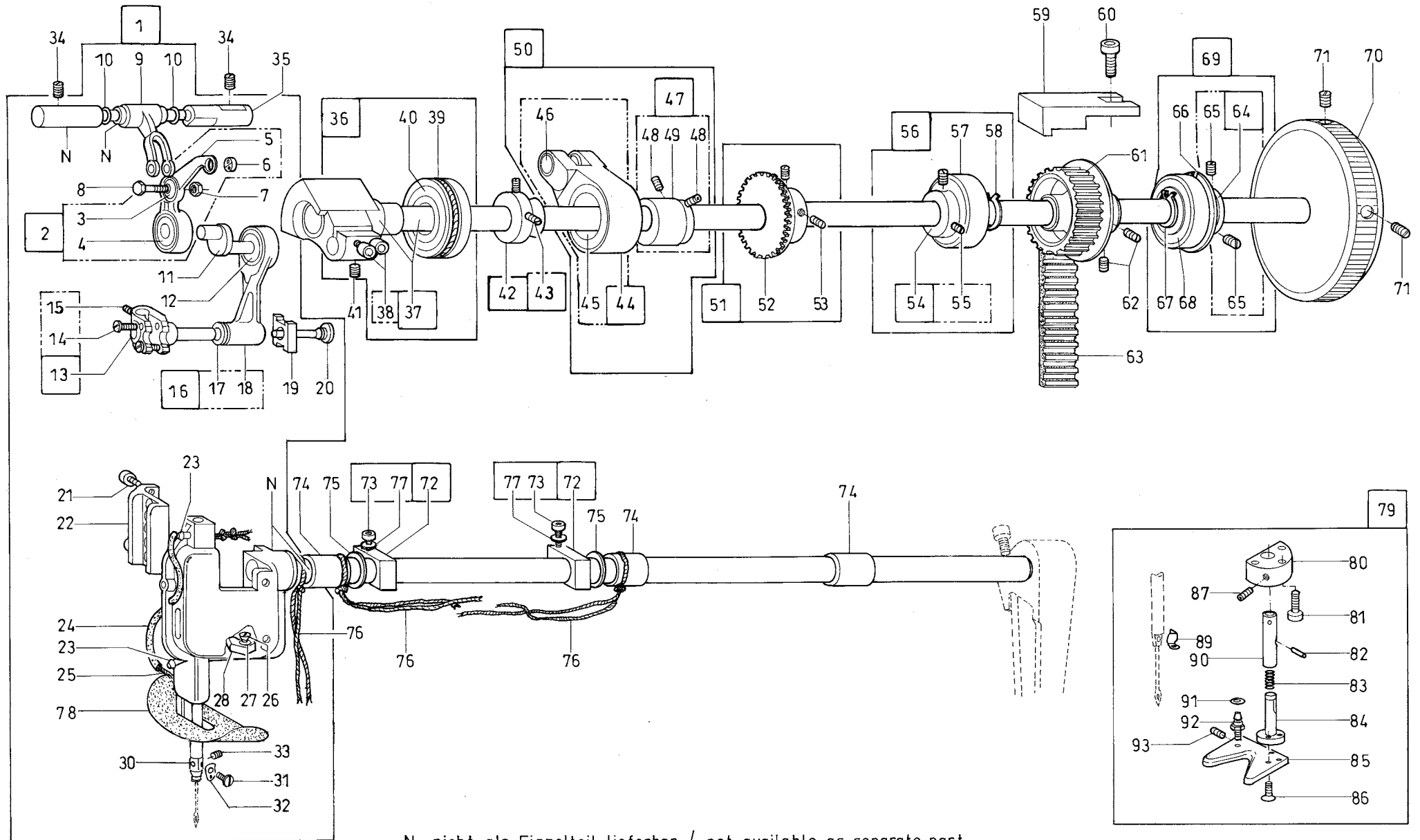
| Pos. | Teile-Nr.   | Benennung                   | Denomination               |
|------|-------------|-----------------------------|----------------------------|
|      |             | NAEHSTATION KL. 806 - 121 / | SEWING PLACE CL. 806 - 121 |
| 1    | 0806 400273 | LAGERWINKEL V               | angle                      |
| 2    | 9202 003297 | ZYL. SCHR.                  | cyl. screw                 |
| 3    | 9330 000127 | SCHEIBE                     | disc                       |
| 4    | 0806 400260 | BUCHSE                      | bushing                    |
| 5    | 9205 102473 | GEW. STIFT                  | threaded pin               |
| 6    | 0999 210881 | FLANSCHLAGER                | flange bearing             |
| 7    | 9202 002897 | ZYL. SCHR.                  | cyl. screw                 |
| 8    | 9330 000107 | SCHEIBE                     | disc                       |
| 9    | 9135 000002 | SPANNELEMENT K              | tension part cpl.          |
| 10   | 0806 401833 | ZAHNRIEMENRAD V             | belt pulley                |
| 11   | 9130 221021 | ZAHNRIEMEN                  | timing belt                |
| 12   | 0805 402000 | GELENKKOPF                  | joint head                 |
| 13   | 9202 002927 | ZYL. SCHR.                  | cyl. screw                 |
| 14   | 9202 002078 | ZYL. SCHR.                  | cyl. screw                 |
| 15   | 0999 211012 | GELENKLAGER                 | bearing                    |
| 16   | 9334 002190 | PASZSCHEIBE                 | washer                     |
| 17   | 0992 024848 | PASZSCHRAUBE                | screw                      |
| 18   | 0805 401230 | PLATTE                      | plate                      |
| 19   | 0805 401220 | LAGERBOCK                   | jack, support              |
| 20   | 9202 003307 | ZYL. SCHR.                  | cyl. screw                 |
| 21   | 9330 000127 | SCHEIBE                     | disc                       |
| 22   | 0805 401240 | SCHNAEPPER                  | catch                      |
| 23   | 9301 102531 | ZYL. STIFT                  | cylinder pin               |
| 24   | 0396 110100 | DRUCKFEDER                  | presser spring             |
| 25   | 9700 101100 | ZYLINDER,EINF.              | cylinder                   |
| 26   | 0999 220764 | VENTIL                      | valve                      |
| 27   | 0999 240392 | WI-E-VERSCHR.               | coupling                   |
| 28   | 9203 003127 | ZYL. SCHR.                  | cyl. screw                 |
| 29   | 9330 000067 | SCHEIBE                     | disc                       |
| 30   | 0999 240387 | T-ES-VERSCHR.               | coupling                   |
| 31   | 9710 982005 | SCHALLDAEMPFER              | sound absorber             |
| 32   | 9710 920022 | VENTIL, DROSSEL             | valve reactor              |
| 33   | 0999 240392 | WI-E-VERSCHR.               | coupling                   |
| 35   | 0999 240303 | DOPPELNIPPEL                | doublenipple               |

| Pos. | Teile-Nr.   | Benennung       | Denomination    |
|------|-------------|-----------------|-----------------|
| 36   | 9790 200001 | GD-E -VERSCHR.  | coupling        |
| 37   | 9710 043020 | VENTIL,PNEUM.   | valve           |
| 38   | 9792 102010 | WI-STUECK       | coupling        |
| 39   | 0999 220837 | ZYLINDER,EINF.  | cylinder        |
| 40   | 9815 555024 | SCHALTER,MAGNET | switch, magnet  |
| 41   | 0805 402410 | SCHWENKLAGER    | pivot bearing   |
| 42   | 9202 003307 | ZYL. SCHR.      | cyl. screw      |
| 43   | 9202 002927 | ZYL. SCHR.      | cyl. screw      |
| 45   | 9792 001040 | REDUZIERNIPPEL  | reducing nipple |
| 46   | 9792 301020 | DICHTRING       | gasket ring     |
| 47   | 9330 000147 | SCHEIBE         | disc            |
| 48   | 9231 110127 | 6KT. MUTTER     | hexagonal nut   |
| 49   | 9731 005004 | SCHLAUCH        | hose            |
| 50   | 9731 006004 | SCHLAUCH        | hose            |
| 51   | 9205 102608 | GEW. STIFT      | threaded pin    |
| 52   | 9231 110127 | 6KT. MUTTER     | hexagonal nut   |
| 53   | 0971 411940 | ANSATZMUTTER    | nut             |
| 54   | 9792 051010 | MUFFE           | sleeve, socket  |
| 55   | 0999 240302 | DOPPELNIPPEL    | doublenipple    |
| 56   | N900 002275 | GEWINDEBOLZEN   | threaded bolt   |
| 57   | 9231 110057 | 6KT. MUTTER     | hexagonal nut   |



| Pos. | Teile-Nr.   | Benennung  | Denomination                                |
|------|-------------|--|---|
|      |             | NAEHMASCHINE KL. 806 - 111 / SEWING MACHINE CL. 806 -111 |   |
| 1    | 0467 100100 | ARM  | arm   |
| 2    | 0467 140120 | GRUNDPLATTE  | bed-plate                                   |
| 3    | 0467 100173 | KOPFDECKEL V<br>(MIT POS.4)                              | head cover<br>(with pos. 4)                 |
| 4    | 0699 989250 | RUNDSCHNUR   | bar   |
| 5    | 0767 100010 | STOPFEN  | plug  |
| 6    | 0467 100580 | ANTRIEBSRAD  | driving gear                                |
| 7    | 0467 100600 | FLANSCH  | flange                                      |
| 8    | 9330 000087 | SCHEIBE  | disc  |
| 9    | 9202 002097 | ZYL. SCHR.   | cyl. screw                                  |
| 10   | 0396 105290 | KEGELST.FEDER  | taper pin spring                            |
| 11   | 9202 001708 | ZYL. SCHR.   | cyl. screw                                  |
| 12   | 0467 100590 | SCHEIBE  | disc  |
| 13   | 9202 042488 | ZYL. SCHR.   | cyl. screw                                  |
| 14   | 9202 042508 | ZYL. SCHR.   | cyl. screw                                  |
| 15   | 0467 110280 | 6KT. MUTTER  | hexagonal nut                               |
| 16   | 0396 111850 | FADENFUEHRUNG  | thread guide                                |
| 17   | 0367 140020 | DECKEL   | cover                                       |
| 18   | 0367 140030 | DECKELDICHTUNG   | gasket                                      |
| 19   | 9202 042488 | ZYL. SCHR  | cyl. screw                                  |
| 20   | 0396 140050 | DICHTSCHEIBE   | gasket                                      |
| 21   | 0467 140110 | SCHEIBE  | disc  |
| 22   | 0767 150144 | SPANNROLLE K<br>(MIT POS.23,26-28)                       | belt tensioner cpl.<br>(with pos. 23,26-28) |
| 23   | 0767 150143 | SPANNROLLE V<br>(MIT POS.24,25)                          | part<br>(with pos. 24,25)                   |
| 24   | 0767 150140 | SPANNR.LAGER   | belt tensioner                              |
| 25   | 0767 150150 | BOLZEN   | bolt, stud                                  |
| 26   | 0296 150013 | LAGER V  | bearing                                     |
| 27   | 0053 000350 | SCHEIBE  | disc  |
| 28   | 9357 000090 | SICH. SCHEIBE  | fastennig disc                              |
| 29   | 9202 003787 | ZYL. SCHR.   | cyl. screw                                  |
| 30   | 0999 231318 | DICHTRING  | gasket ring                                 |
| 31   | 0996 760500 | KEGELROLLLAGER   | bearing                                     |

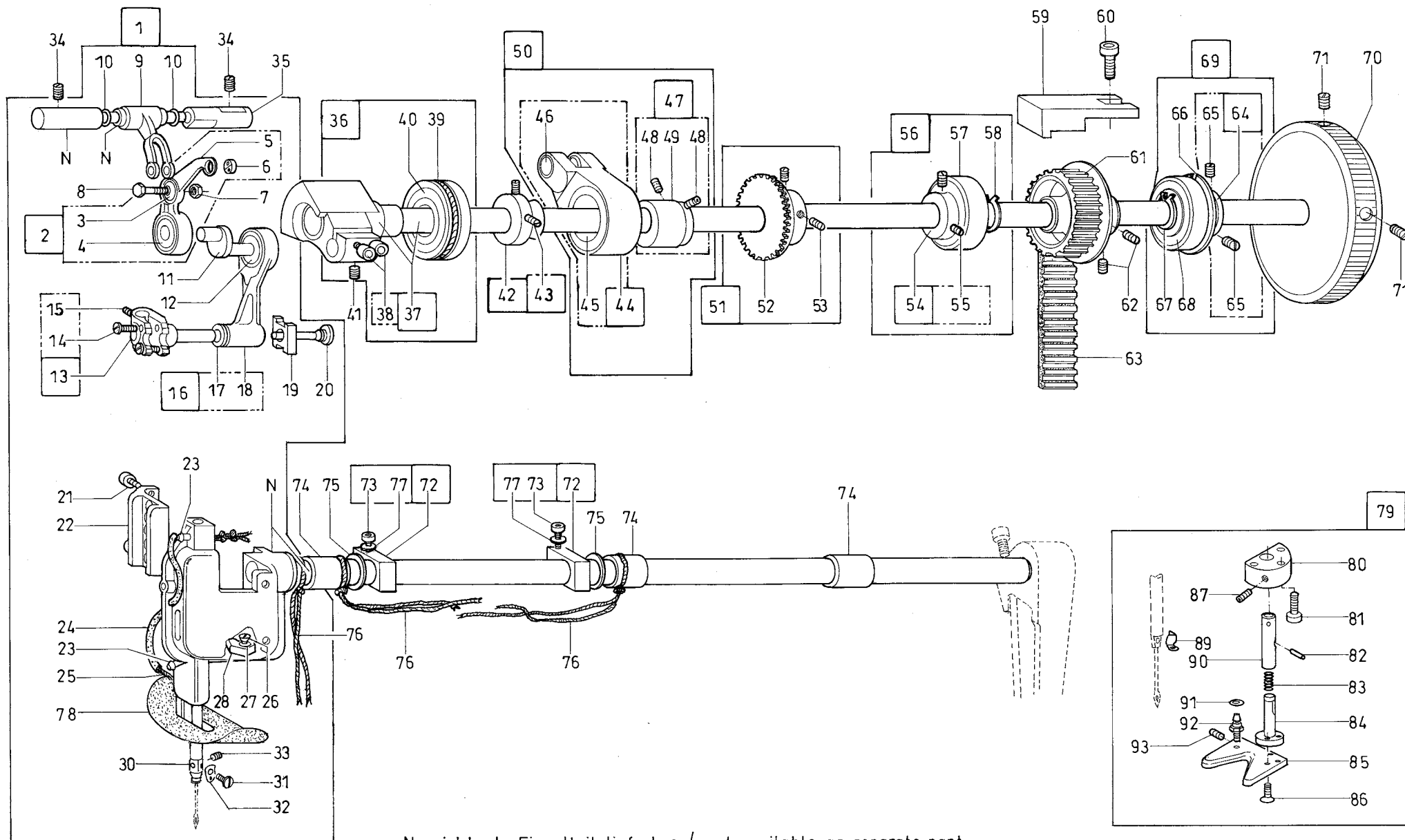
| Pos. | Teile-Nr.   | Benennung                          | Denomination                          |
|------|-------------|------------------------------------|---------------------------------------|
| 32   | 0467 100610 | LAGERBOLZEN                        | bearing bolt                          |
| 33   | 0381 100410 | OELSTANDSAUGE                      | oil sight glass                       |
| 34   | 0381 100420 | DICHTUNGSRING                      | gasket ring                           |
| 35   | 0995 110210 | VERSCHL.SCHR.                      | screw                                 |
| 36   | 9792 301140 | DICHTRING                          | gasket ring                           |
| 37   | 9790 201000 | VERSCHR. WI-E                      | coupling                              |
| 38   | 9202 002077 | ZYL. SCHR.                         | cyl. screw                            |
| 39   | 0893 211058 | FEDERRING                          | elastic washer                        |
| 40   | 0467 150710 | LEISTE                             | rail                                  |
| 41   | 9815 710100 | INDUKTIVGEBER                      | proximityswitch                       |
| 42   | 0296 001543 | LUEFTUNGSROHR V                    | pipe                                  |
| 43   | 9205 102798 | GEW. STIFT                         | threaded pin                          |
| 44   | 0806 402610 | 6KT. SCHR.                         | screw                                 |
| 45   | 9231 110137 | 6KT. MUTTER                        | hexagonal nut                         |
| 46   | 0367 140023 | DECKEL V<br>(MIT POS. 17,21,47,48) | cover cpl.<br>(with pos. 17,21,47,48) |
| 47   | 0767 140050 | VERSCHL. SCHRAUBE                  | screw                                 |



N= nicht als Einzelteil lieferbar / not available as separate part

| Pos. | Teile-Nr.   | Benennung  | Denomination                           |
|------|-------------|--|--|
|      |             | NAEHMASCHINE KL. 806 - 111 / SEWING MACHINE CL. 806 -111 |  |
| 1    | 0467 120514 | SCHWINGE K<br>(MIT POS.2-33,78)                          | oscillator cpl.<br>(with pos. 2-33,78) |
| 2    | 0367 110023 | FADENHEBEL<br>(MIT POS.3-6)                              | thread take-up leve<br>(with pos. 3-6) |
| 3    | 9120 030041 | RILLENKULA   | ball bearing                           |
| 4    | 9120 030082 | RILLENKUGELLAGER   | ball bearing                           |
| 5    | 0367 110023 | FADENHEBEL   | thread take-up leve                    |
| 6    | 0367 110010 | OESE   | eyelet                                 |
| 7    | 9231 000367 | 6KT.MUTTER   | hexagonal nut                          |
| 8    | 0367 110040 | LENKERBOLZEN   | bolt, stud                             |
| 9    | 0767 110300 | FADENH.LENKER  | thread guide lever                     |
| 10   | 0367 110050 | DICHTSCHEIBE   | gasket                                 |
| 11   | 0367 110080 | FADENH.KURBEL  | threadlev crank                        |
| 12   | 9120 030082 | RILLENKUGELLAGER   | ball bearing                           |
| 13   | 0367 120023 | NADELSTG.KLOBEN<br>(MIT POS. 14,15)                      | needle bar bock<br>(with pos. 14,15)   |
| 14   | 9203 003662 | ZYL.SCHR.  | cyl. screw                             |
| 15   | 9205 161558 | GEW.STIFT  | threaded pin                           |
| 16   | 0367 120013 | NADELSTG.GELENK<br>(MIT POS.17,18)                       | needle bar joint<br>(with pos. 17,18)  |
| 17   | 0367 120030 | BUCHSE   | bushing                                |
| 18   | 0367 120010 | NADELSTG.GELENK  | needle bar joint                       |
| 19   | 0367 120040 | GLEITSTEIN   | slide block                            |
| 20   | 0367 120110 | GEW.BOLZEN   | threaded bolt                          |
| 21   | 9202 042077 | ZYL.SCHR.  | cyl. screw                             |
| 22   | 0367 120050 | GLEITFUEHRUNG  | slide guide                            |
| 23   | 0367 120080 | NIPPEL   | nipple                                 |
| 24   | 0699 979100 | SCHLAUCH   | hose                                   |
| 25   | 9041 100020 | OELDOCHT,RUND  | oil wick,round                         |
| 26   | 9203 313667 | SENKSCHR.  | sunk screw                             |
| 27   | 9330 200097 | SCHEIBE  | disc                                   |
| 28   | 0367 120100 | OELKISSEN  | oil satchel                            |
| 30   | 0767 120060 | NADELSTANGE  | needle bar                             |
| 31   | 9203 312411 | SENKSCHR.  | sunk screw                             |

| Pos. | Teile-Nr.   | Benennung                           | Denomination                              |
|------|-------------|-------------------------------------|---|
| 32   | 0291 000159 | FADENOESE                           | thread loop                               |
| 33   | 9205 101528 | GEW. STIFT                          | threaded pin                              |
| 34   | 9205 102168 | GEW. STIFT                          | threaded pin                              |
| 35   | 0367 110070 | BUCHSE                              | bushing                                   |
| 36   | 0467 120524 | ARMWELLE K<br>(MIT POS.37,39,40)    | arm shaft cpl.<br>(with pos. 37,39,40)    |
| 37   | 0467 100114 | ARMWELLE V<br>(MIT POS.38)          | arm shaft<br>(with pos. 38)               |
| 38   | 9202 042488 | ZYL.SCHR.                           | cyl. screw                                |
| 39   | 9129 016050 | SPRENGRING                          | Pspring ring                              |
| 40   | 9120 080110 | RILLENKUGELLAGER                    | ball bearing                              |
| 41   | 0216 000052 | GEW.STIFT                           | threaded pin                              |
| 42   | 0467 310263 | BUCHSE V                            | bushing                                   |
| 43   | 9205 023631 | GEW.STIFT                           | threaded pin                              |
| 44   | 0477 310033 | ZUGSTANGE V                         | pull rod                                  |
| 45   | 0999 232213 | NADELHUELSE                         | needle socket                             |
| 46   | 0367 310400 | BUCHSE                              | bushing                                   |
| 47   | 0467 310243 | EXZENTER V<br>(MIT POS.48,49)       | eccentric<br>(with pos. 48,49)            |
| 48   | 9205 102478 | GEW.STIFT                           | threaded pin                              |
| 49   | 0467 310240 | EXZENTER                            | eccentric                                 |
| 50   | 0467 310244 | EXZENTER V<br>(MIT POS.44,47)       | eccentric<br>(with pos. 44,47)            |
| 51   | 0467 170013 | KRONRAD K<br>(MIT POS.52,53)        | wheel cpl.<br>(with pos 52,53)            |
| 52   | 0467 170010 | KRONRAD                             | wheel                                     |
| 53   | 9205 102488 | GEW.STIFT                           | threaded pin                              |
| 54   | 0367 100353 | LAGERHUELSE V<br>(MIT POS.55)       | bearing bush<br>(with pos. 55)            |
| 55   | 9205 102478 | GEW.STIFT                           | threaded pin                              |
| 56   | 0767 100044 | LAGERHUELSE K<br>(MIT POS.54,57,58) | bearing bush cpl.<br>(with pos. 54,57,58) |
| 57   | 9120 030200 | RILLENKUGELLAGER                    | ball bearing                              |
| 58   | 9352 000200 | SICH.RING                           | part                                      |
| 59   | 0467 100690 | KLOTZ                               | log                                       |
| 60   | 9202 002897 | ZYL.SCHR.                           | cyl. screw                                |
| 61   | 0467 150863 | ZAHNRIEMENRAD                       | belt pulley                               |

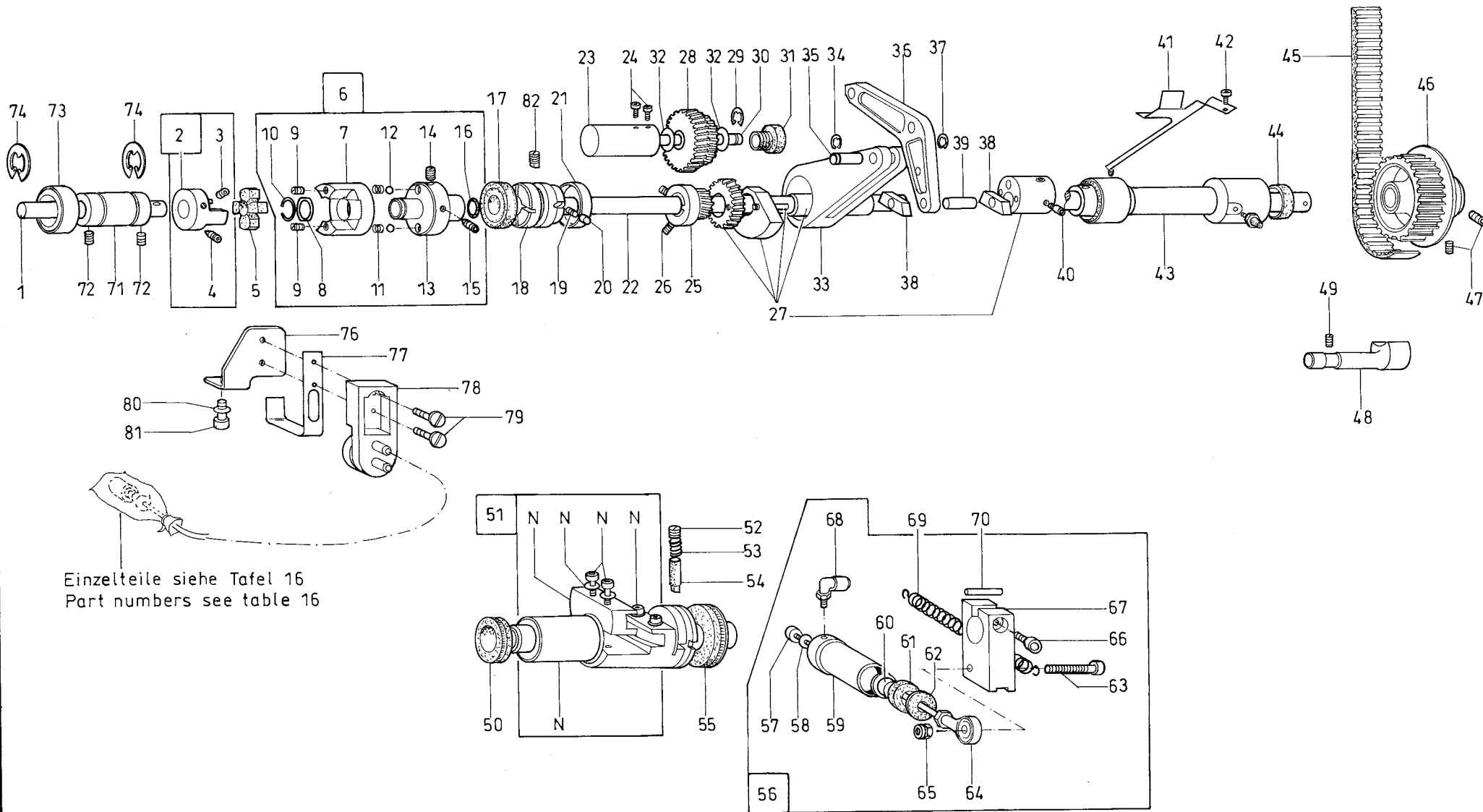


N= nicht als Einzelteil lieferbar / not available as separate part



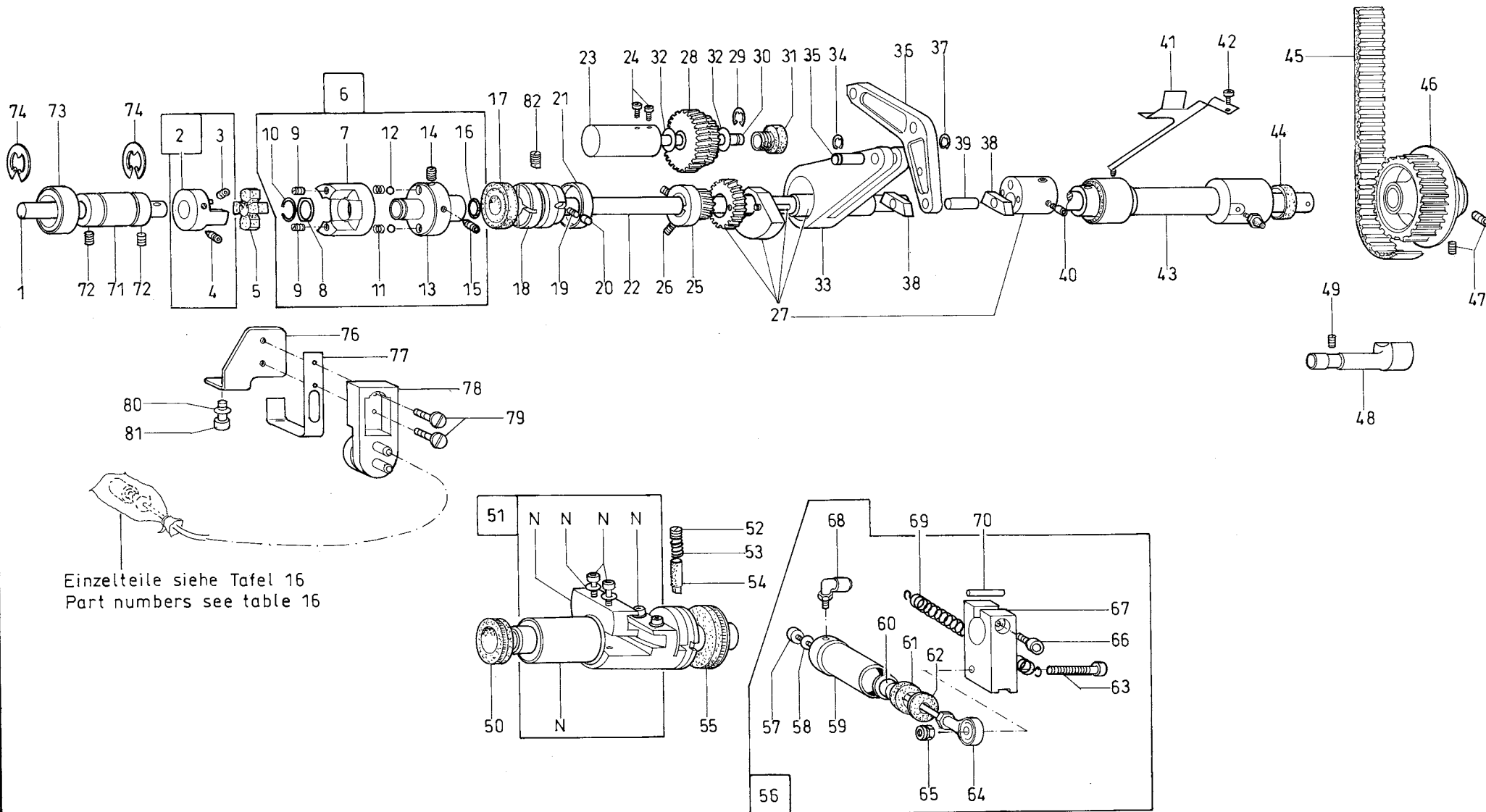
| Pos. | Teile-Nr.   | Benennung                           | Denomination                              |
|------|-------------|-------------------------------------|---|
| 62   | 9205 102798 | GEW.STIFT                           | threaded pin                              |
| 63   | 0999 211038 | ZAHNRIEMEN                          | timing belt                               |
| 64   | 0367 100063 | LAGERHUELSE V<br>(MIT POS.65)       | bearing bush<br>(with pos.65)             |
| 65   | 9205 102478 | GEW STIFT                           | threaded pin                              |
| 66   | 9129 016050 | SPRENGRING                          | spring ring                               |
| 67   | 9352 000200 | SICH.RING                           | retainer ring                             |
| 68   | 9120 080110 | RILLENKUGELLAGER                    | ball bearing                              |
| 69   | 0767 100024 | LAGERHUELSE K<br>(MIT POS.64,66-68) | bearing bush cpl.<br>(with pos. 64,66-68) |
| 70   | 0396 103740 | HANDRAD                             | balance wheel                             |
| 71   | 9205 142535 | GEW. STIFT                          | threaded pin                              |
| 72   | 0367 120093 | KLEMMKLOBEN V<br>(MIT POS.73,77)    | block<br>(with pos. 73,77)                |
| 73   | 9202 002097 | ZYL.SCHR.                           | cyl. screw                                |
| 74   | 0367 310330 | BUCHSE                              | bushing                                   |
| 75   | 0998 880120 | STUETZSCHEIBE                       | support disc                              |
| 76   | 0367 120160 | OELDOCHT                            | oil wick                                  |
| 77   | 9330 000087 | SCHEIBE                             | disc                                      |
| 78   | 0467 120130 | PLATTE                              | plate                                     |
| 79   | 0467 220674 | DRUECKERFUSS V<br>(MIT POS. 80-93)  | presser foot<br>(with pos. 80-93)         |
| 80   | 0467 220650 | FLANSCH                             | flange                                    |
| 81   | 9202 002108 | ZYL.SCHR.                           | cyl. screw                                |
| 82   | 9301 101871 | ZYL.STIFT                           | cylinder pin                              |
| 83   | 0467 220660 | DRUCKFEDER                          | presser spring                            |
| 84   | 0467 220630 | BOLZEN                              | bolt, stud                                |
| 85   | 0467 220620 | DRUCKPLATTE                         | presser plate                             |
| 86   | 9203 313077 | SENKSCHR.                           | countersunk screw                         |
| 87   | 9205 122488 | GEW.STIFT                           | threaded pin                              |
| 89   | 0396 120450 | FADENOESE                           | thread loop                               |
| 90   | 0467 220640 | BUCHSE                              | bushing                                   |
| 91   | 0998 865000 | O-RING                              | ring                                      |
| 92   | 9790 316010 | STECKNIPPEL                         | plug                                      |
| 93   | 9205 102178 | GEW.STIFT                           | threaded pin                              |

| Pos. | Teile-Nr. | Benennung | Denomination |
|------|-----------|-----------|--------------|
|------|-----------|-----------|--------------|



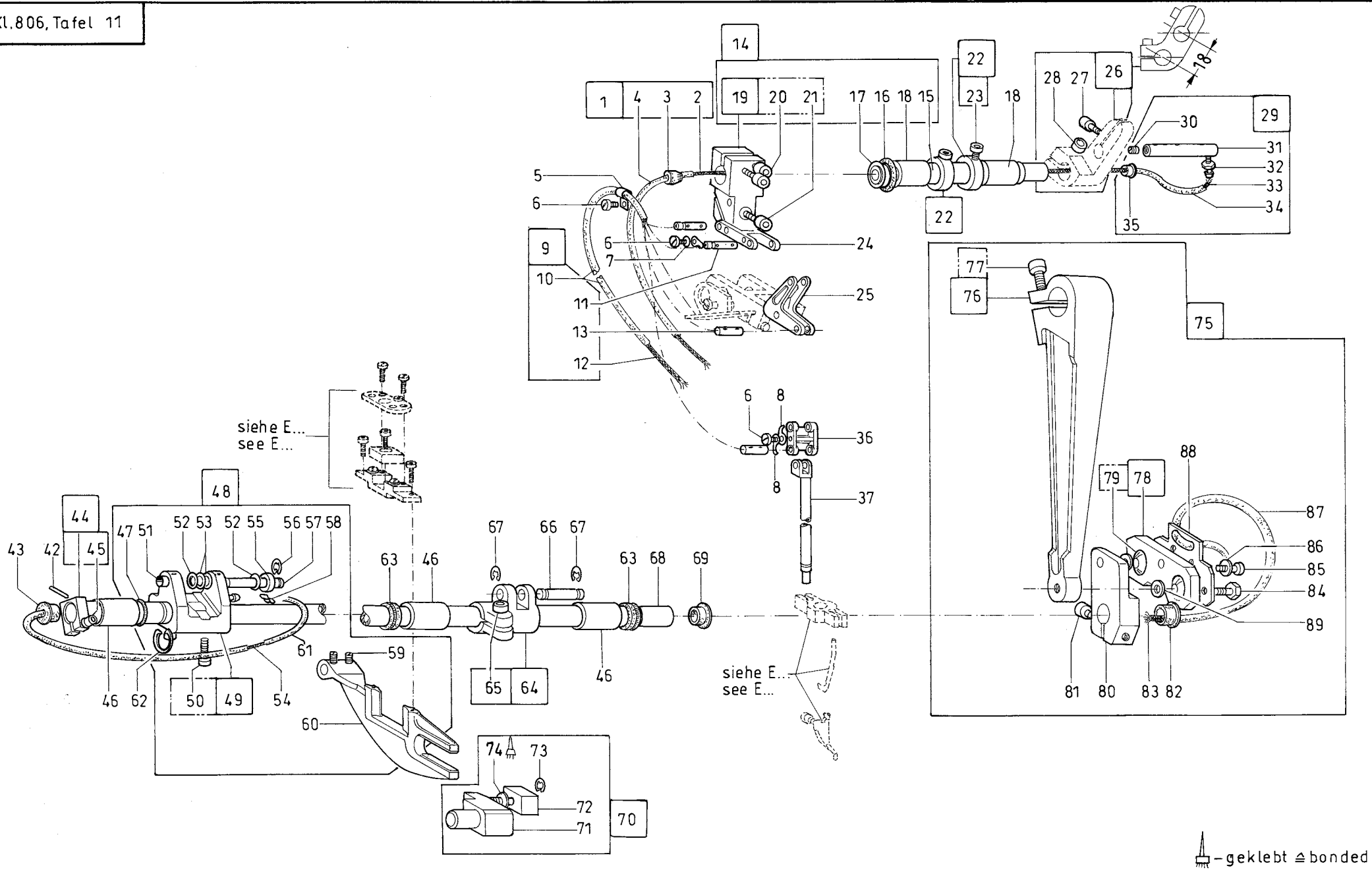
| Pos. | Teile-Nr.   | Benennung  | Denomination                     |
|------|-------------|--|----------------------------------|
|      |             | NAEHMASCHINE KL. 806 - 111 / SEWING MACHINE CL. 806 -111 |                                  |
| 1    | 0367 150180 | WELLE  | shaft                            |
| 2    | 0367 150103 | KUPPL.KLAUE V<br>(MIT POS.3,4)                           | coupling claw<br>(with pos. 3,4) |
| 3    | 9205 102488 | GEW.STIFT  | threaded pin                     |
| 4    | 9205 122498 | GEW.STIFT  | threaded pin                     |
| 5    | 9110 011141 | ZAHNKRANZ  | toothed wreath, cog              |
| 6    | 0467 151204 | KUPPLUNG K<br>(MIT POS.7-16)                             | coupler cpl.<br>(with pos.7-16)  |
| 7    | 0467 151200 | KUPPLUNG   | coupler                          |
| 8    | 0467 151190 | SCHEIBE  | washer                           |
| 9    | 0244 000700 | GEW.STIFT  | threaded pin                     |
| 10   | 0998 912110 | SPRENGRING   | spring ring                      |
| 11   | 0467 151210 | DRUCKFEDER   | pressure spring                  |
| 12   | 9129 020210 | KUGEL  | ball                             |
| 13   | 0467 151180 | RASTSCHEIBE  | locking disc                     |
| 14   | 9205 102488 | GEW.STIFT  | threaded pin                     |
| 15   | 9205 122488 | GEW.STIFT  | threaded pin                     |
| 16   | 0998 860670 | O-RING   | ring                             |
| 17   | 0998 856900 | SIMMERRING   | sealing ring                     |
| 18   | 0367 150930 | BUCHSE   | bushing                          |
| 19   | 0370 221230 | DRUCKFEDER   | presser spring                   |
| 20   | 0367 150950 | KOLBEN   | piston                           |
| 21   | 0367 150940 | LAUFRAD  | roller                           |
| 22   | 0467 150880 | WELLE  | shaft                            |
| 23   | 0467 150320 | BUCHSE   | bushing                          |
| 24   | 9202 002067 | ZYL.SCHR.  | cyl. screw                       |
| 25   | 0467 180053 | ZAHNRAD V  | cog wheel                        |
| 26   | 9205 102478 | GEW.STIFT  | threaded pin                     |
| 27   | 0467 180014 | Z-Z-EXZENTER V   | eccentric                        |
| 28   | 0467 180074 | ZAHNRAD V  | cog wheel                        |
| 29   | 9357 000090 | SICH.SCHEIBE   | fastennig disc                   |
| 30   | 0965 513140 | WELLE  | shaft                            |
| 31   | 9190 400100 | STOPFEN  | plug                             |
| 32   | 0170 150060 | SCHEIBE  | disc                             |


| Pos. | Teile-Nr.   | Benennung                     | Denomination                       |
|------|-------------|-------------------------------|------------------------------------|
| 33   | 0367 160273 | ZUGSTANGE V                   | pull rod                           |
| 34   | 9357 000070 | SICH.SCHEIBE                  | fastennig disc                     |
| 35   | 0367 160310 | BOLZEN                        | bolt, stud                         |
| 36   | 0367 160290 | HEBEL                         | lever                              |
| 37   | 9357 000070 | SICH.SCHEIBE                  | fastennig disc                     |
| 38   | 0367 160090 | GLEITSTEIN                    | slide block                        |
| 39   | 0367 160100 | BOLZEN                        | bolt, stud                         |
| 40   | 0467 180100 | SCHAFTSCHR.                   | screw                              |
| 41   | 0467 150583 | OELBLECH V                    | drip pan                           |
| 42   | 9203 003627 | ZYL.SCHR.                     | cyl. screw                         |
| 43   | 0367 150050 | LAGERBUCHSE                   | bushing                            |
| 44   | 0998 852260 | SIMMERRING                    | sealing ring                       |
| 45   | 0999 211038 | ZAHNRIEMEN                    | timing belt                        |
| 46   | 0467 150873 | ZAHNRIEMENRAD                 | belt pulley                        |
| 47   | 9205 102798 | GEW.STIFT                     | threaded pin                       |
| 48   | 0467 150630 | GURTHALTER                    | holder                             |
| 49   | 9205 102498 | GEW.STIFT                     | threaded pin                       |
| 50   | 0998 856800 | SIMMERRING                    | sealing ring                       |
| 51   | 0367 160064 | STELLWELLE K                  | setting stem cpl.                  |
| 52   | 9205 024868 | GEW.STIFT                     | threaded pin                       |
| 53   | 0367 160120 | DRUCKFEDER                    | presser spring                     |
| 54   | 0367 160110 | KEIL                          | key                                |
| 55   | 0998 857800 | SIMMERRING                    | sealing ring                       |
| 56   | 0467 310324 | ZYLINDER K<br>(MIT POS.57-68) | cylinder cpl.<br>(with pos. 57-68) |
| 57   | 9202 002507 | ZYL.SCHR.                     | cyl. screw                         |
| 58   | 9330 000097 | SCHEIBE                       | disc                               |
| 59   | 0367 310820 | ROHR                          | pipe                               |
| 60   | 0367 310830 | KOLBEN                        | piston                             |
| 61   | 0999 220852 | LIPPENRING                    | gasket                             |
| 62   | 0367 310850 | SCHEIBE                       | disc                               |
| 63   | 9201 112977 | 6KT.SCHR.                     | hexagonal screw                    |
| 64   | 0999 210956 | GELENKSTG.KOPF                | joint head                         |
| 65   | 9234 000077 | 6KT.MUTTER                    | hexagonal nut                      |
| 66   | 9202 003178 | ZYL.SCHR.                     | cyl. screw                         |
| 67   | 0467 160270 | KLOBEN                        | block                              |
| 68   | 9790 201000 | VERSCHR.WI-E                  | coupling                           |



| Pos. | Teile-Nr.   | Benennung      | Denomination      |
|------|-------------|----------------|-------------------|
| 69   | 0504 331340 | ZUGFEDER       | tensile spring    |
| 70   | 0999 310950 | KERBSTIFT      | dowel pin         |
| 71   | 0467 151220 | EXZENTER       | eccenter          |
| 72   | 0271 000756 | GEW.STIFT      | threaded pin      |
| 73   | 9122 200150 | NADELHUELSE    | needle bush       |
| 74   | 9352 500070 | V-RING         | ring              |
| 76   | 0271 140120 | WINKEL         | angle             |
| 77   | 0271 140130 | BLATTFEDER     | spring            |
| 78   | 0933 001544 | PUMPE          | pump              |
| 79   | 9203 100631 | FLACHKOPFSCHR. | countersunk screw |
| 80   | 9330 900097 | SCHEIBE        | disc              |
| 81   | 9202 002087 | ZYL.SCHR.      | cyl. screw        |
| 82   | 0367 150070 | GEW. STIFT     | threaded pin      |

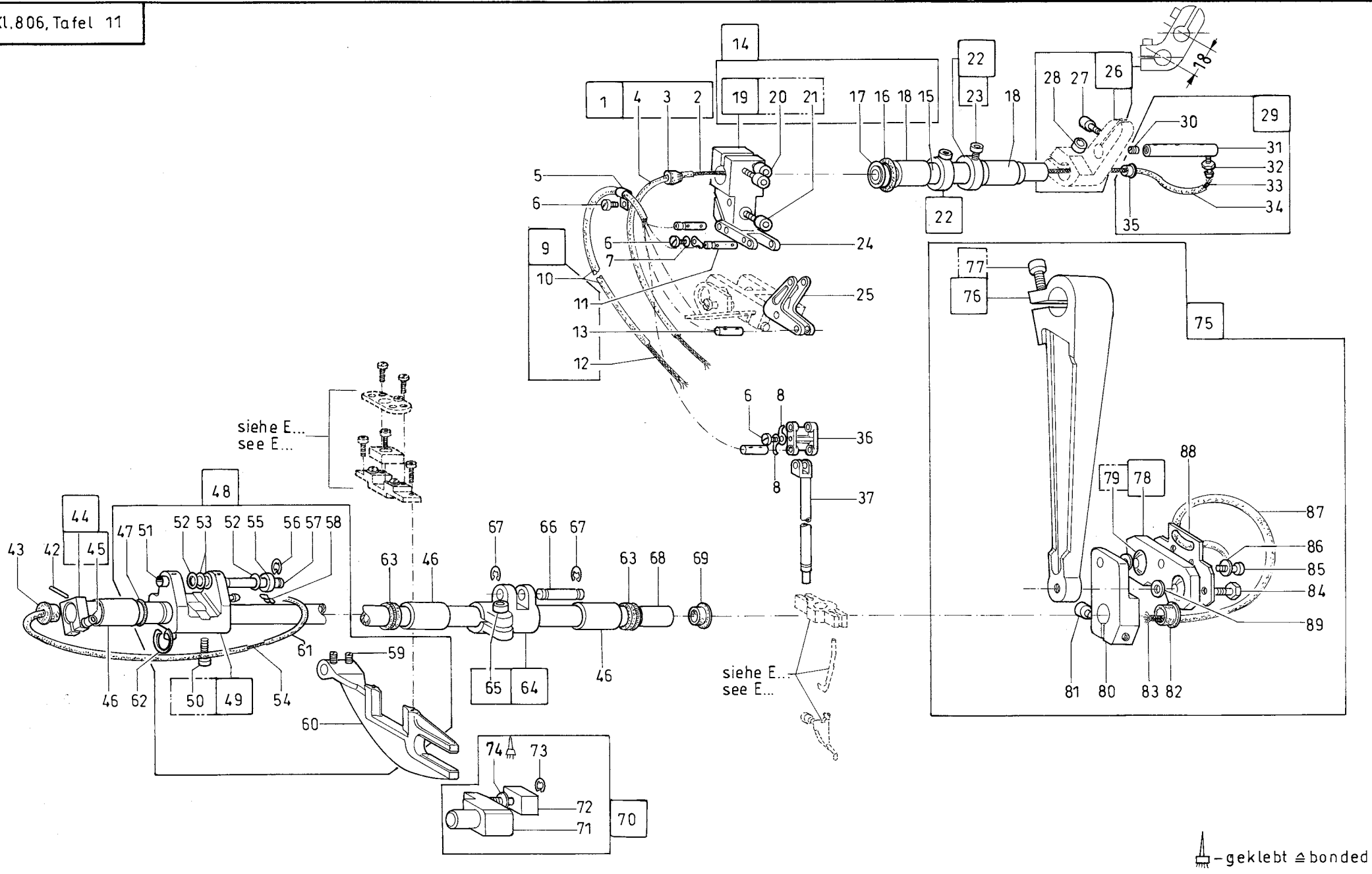
| Pos. | Teile-Nr. | Benennung | Denomination |
|------|-----------|-----------|--------------|
|------|-----------|-----------|--------------|



 -geklebt ≙ bonded

| Pos. | Teile-Nr.   | Benennung  | Denomination                     |
|------|-------------|--|----------------------------------|
|      |             | NAEHMASCHINE KL 806 - 111 / SEWING MACHINE CL. 806 - 111 |                                  |
| 1    | 0467 310043 | OELSCHLAUCH V<br>(MIT POS.2-4)                           | oil hose<br>(with pos. 2-4)      |
| 2    | 9041 100015 | OELDOCHT,RUND  | oil wick,round                   |
| 3    | 0367 310370 | DICHTSTOPFEN   | plug                             |
| 4    | 0699 979100 | SCHLAUCH   | hose                             |
| 5    | 9840 120203 | BEF. SCHELLE   | clamp                            |
| 6    | 9203 003627 | ZYL. SCHR  | cyl. screw                       |
| 7    | 9330 400017 | SCHEIBE  | disc                             |
| 8    | 0367 310280 | SICHERUNGSBLECH  | protection plate                 |
| 9    | 0367 310194 | DOCHTHALTER K<br>(MIT POS.10-13)                         | wick holder<br>(with pos. 10-13) |
| 10   | 0699 979104 | SCHLAUCH   | hose                             |
| 11   | 0367 130070 | BOLZEN   | bolt, stud                       |
| 12   | 9041 100015 | OELDOCHT,RUND  | oil wick,round                   |
| 13   | 0367 310190 | BOLZEN   | bolt, stud                       |
| 14   | 0367 310174 | WELLE K<br>(MIT POS.15-19)                               | shaft cpl.<br>(with pos. 15-19)  |
| 15   | 0367 310170 | WELLE  | shaft                            |
| 16   | 0367 310980 | KAPPE  | cap                              |
| 17   | 0998 860680 | O-RING   | ring                             |
| 18   | 0367 310330 | BUCHSE   | bushing                          |
| 19   | 0367 310093 | HEBEL<br>(MIT POS.20,21)                                 | lever<br>(with pos. 20,21)       |
| 20   | 9202 042908 | ZYL. SCHR.   | cyl. screw                       |
| 21   | 9202 042497 | ZYL. SCHR.   | cyl. screw                       |
| 22   | 0367 310153 | STELLRING V<br>(MIT POS. 23)                             | adj ring<br>(with pos.13)        |
| 23   | 9203 003957 | ZYL. SCHR.   | cyl. screw                       |
| 24   | 0367 310250 | ZUGSTANGE  | draught-rod                      |
| 25   | 0367 310220 | LENKER   | rod                              |
| 26   | 0367 310143 | KLOBEN K<br>(MIT POS.27,28)                              | block cpl.<br>(with pos.27,28)   |
| 27   | 9202 002778 | ZYL. SCHR.   | cyl. screw                       |
| 28   | 9202 002907 | ZYL. SCHR.   | cyl. screw                       |

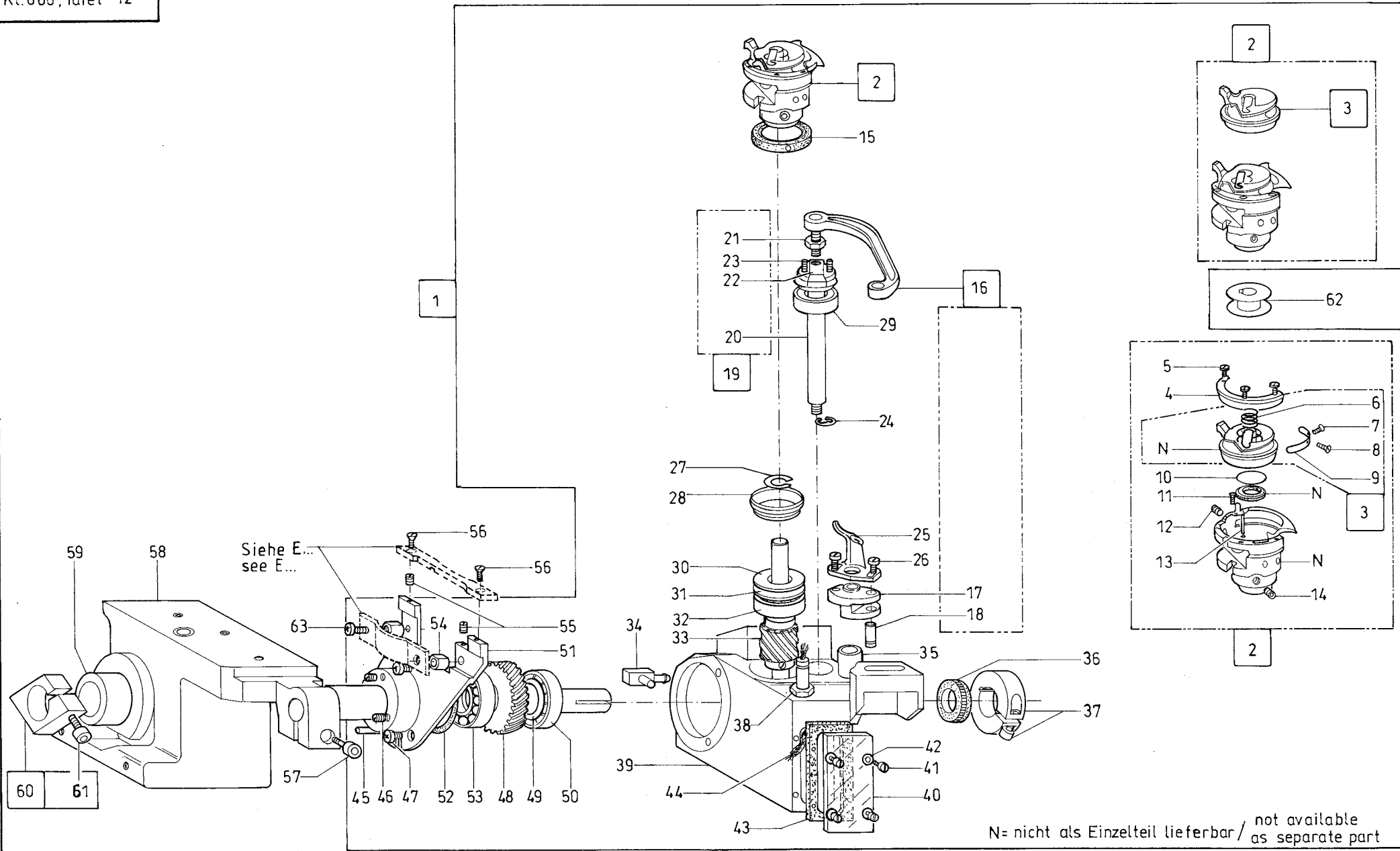
| Pos. | Teile-Nr.   | Benennung                              | Denomination                          |
|------|-------------|--|---------------------------------------|
| 29   | 0367 310164 | BOLZEN K<br>(MIT POS.30-35)            | bolt cpl.<br>(with pos.30-35)         |
| 30   | 0993 521140 | GEW.STIFT                              | threaded pin                          |
| 31   | 0367 310160 | BOLZEN                                 | bolt, stud                            |
| 32   | 0367 160320 | NIPPEL                                 | nipple                                |
| 33   | 9041 100015 | OELDOCHT,RUND                          | oil wick,round                        |
| 34   | 0699 979100 | SCHLAUCH                               | hose                                  |
| 35   | 0367 310360 | DICHTSTOPFEN                           | plug                                  |
| 36   | 0367 310210 | GELENK                                 | joint                                 |
| 37   | 0367 310233 | TRANSPORTFUSSTANGE                     | foot bar                              |
| 42   | 0367 160680 | STIFT                                  | pin                                   |
| 43   | 0367 160640 | DICHTSTOPFEN                           | plug                                  |
| 44   | 0396 160553 | STELLKLOBEN V<br>(MIT POS. 45)         | block<br>(with pos. 45)               |
| 45   | 9202 002087 | ZYL. SCHR.                             | cyl. screw                            |
| 46   | 0367 160130 | BUCHSE                                 | bushing                               |
| 47   | 0998 881620 | PASZSCHEIBE                            | washer                                |
| 48   | 0367 160214 | TRANSP. BALKEN K<br>(MIT POS.49,51-61) | feed bar cpl.<br>(with pos. 49,51-61) |
| 49   | 0367 160233 | KLOBEN V<br>(MIT POS.50)               | block<br>(with pos. 50)               |
| 50   | 9202 042908 | ZYL. SCHR.                             | screw                                 |
| 51   | 0367 160720 | BUCHSE                                 | bushing                               |
| 52   | 0296 000510 | SCHEIBE 0,45                           | disc 0,45                             |
| 53   | 0467 160120 | SCHEIBE 0,16                           | disc 0,16                             |
| 54   | 9041 100015 | OELDOCHT,RUND                          | oil wick,round                        |
| 55   | 0996 031118 | TELLERFEDER                            | spring                                |
| 56   | 9357 000070 | SICH. SCHEIBE                          | fastennig disc                        |
| 57   | 0367 160240 | BOLZEN                                 | bolt, stud                            |
| 58   | 0999 220694 | SCHLAUCHKLEMME                         | hose clamp                            |
| 59   | 9205 023920 | GEW. STIFT                             | threaded pin                          |
| 60   | 0367 160210 | TRANSP. BALKEN                         | feed bar                              |
| 61   | 0699 979100 | SCHLAUCH                               | hose                                  |
| 62   | 0998 830318 | HALBMONDRING                           | halfmoonring                          |
| 63   | 0999 210834 | DICHTRING                              | gasket ring                           |
| 64   | 0477 160223 | KURBEL V<br>(MIT POS.65)               | crank<br>(with pos. 65)               |





| Pos. | Teile-Nr.   | Benennung                         | Denomination                             |
|------|-------------|-----------------------------------|--|
| 65   | 9202 042888 | ZYL. SCHR.                        | cyl. screw                               |
| 66   | 0367 160310 | BOLZEN                            | bolt                                     |
| 67   | 9357 000070 | SICH. SCHEIBE                     | fastennig disc                           |
| 68   | 0467 160083 | VORSCHUBWELLE V                   | shaft                                    |
| 69   | 0396 310080 | STOPFEN                           | plug                                     |
| 70   | 0367 330714 | HUBWELLE K<br>(MIT POS.71-74)     | stroke shaft cpl.<br>(with pos. 71-74)   |
| 71   | 0367 330713 | HUBWELLE                          | lifting shaft                            |
| 72   | 0367 160740 | GLEITSTEIN                        | slide block                              |
| 73   | 9357 000060 | SICH. SCHEIBE                     | fastennig disc                           |
| 74   | 0367 160030 | BOLZEN                            | bolt, stud                               |
| 75   | 0467 180094 | ZUGSTANGE K<br>(MIT POS.76,78-89) | draught-rod cpl.<br>(with pos. 76,78-89) |
| 76   | 0367 311363 | HEBEL V<br>(MIT POS.77)           | lever<br>(with pos. 77)                  |
| 77   | 9202 002907 | ZYL. SCHR.                        | cyl. screw                               |
| 78   | 0467 180124 | ZUGSTANGE V<br>(MIT POS.79)       | pull rod<br>(with pos. 79)               |
| 79   | Z112 000292 | GELENKLAGER                       | bearing                                  |
| 80   | 0367 310010 | KLOBEN                            | block                                    |
| 81   | 9202 002897 | ZYL. SCHR.                        | cyl. screw                               |
| 82   | 0367 160640 | DICHTSTOPFEN                      | plug                                     |
| 83   | 9041 100015 | OELDOCHT,RUND                     | oil wick,round                           |
| 84   | 9201 113717 | 6KT. SCHR.                        | hexagonal screw                          |
| 85   | 9203 003647 | ZYL. SCHR.                        | cyl. screw                               |
| 86   | 9330 000087 | SCHEIBE                           | disc                                     |
| 87   | 0699 979100 | SCHLAUCH                          | hose                                     |
| 88   | 0467 380070 | OELVLIES                          | part                                     |
| 89   | 0037 000210 | SCHEIBE                           | disc                                     |

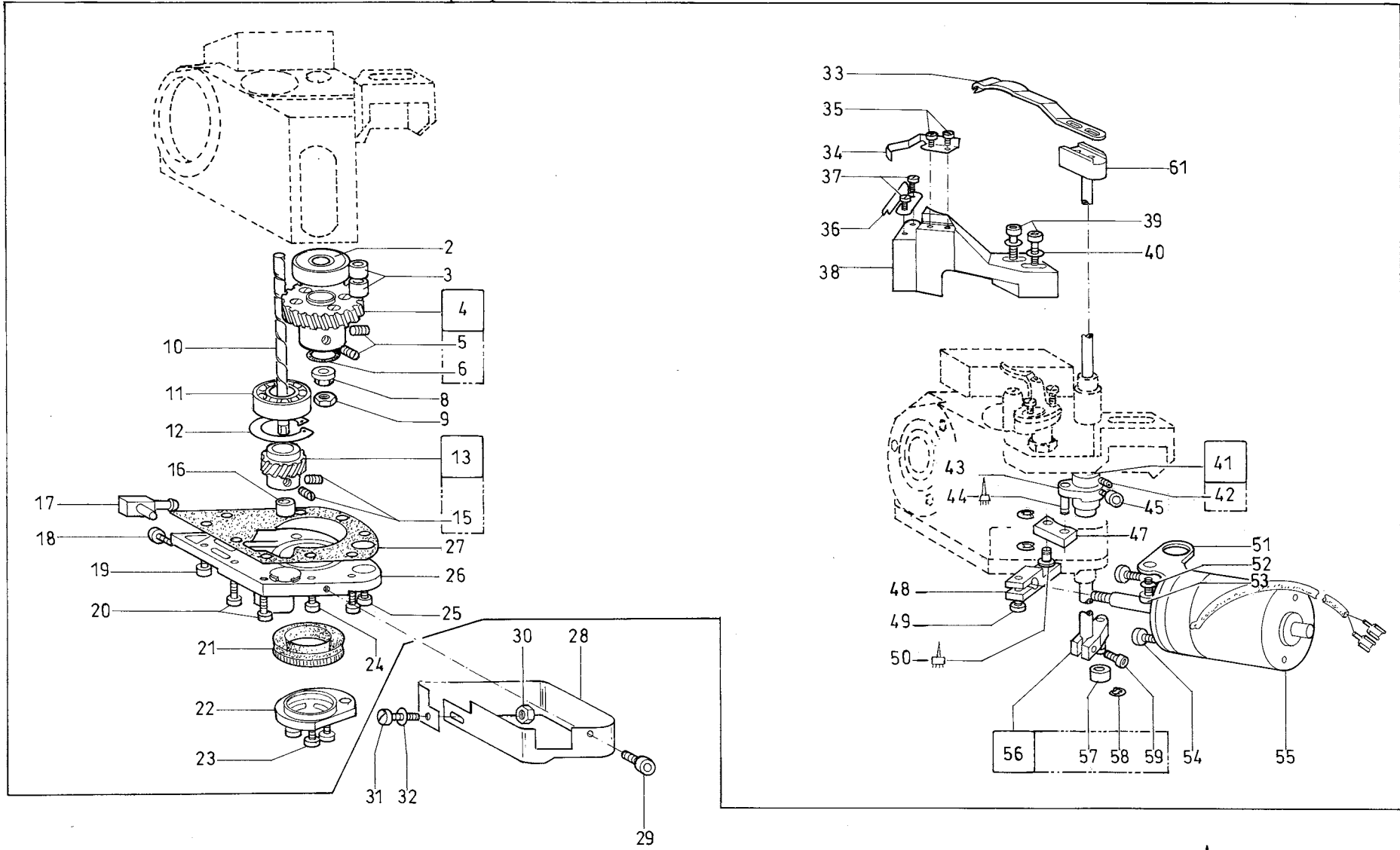
| Pos. | Teile-Nr. | Benennung | Denomination |
|------|-----------|-----------|--------------|
|------|-----------|-----------|--------------|



| Pos. | Teile-Nr.   | Benennung  | Denomination                          |
|------|-------------|--|---------------------------------------|
|      |             | NAEHMASCHINE KL. 806 - 111 / SEWING MACHINE CL. 806 -111 |                                       |
| 1    | 0467 150364 | GREIFERLAGER K<br>(MIT POS.2-55)                         | hook bearing cpl.<br>(with pos. 2-55) |
| 2    | 0467 150854 | GREIFER K<br>(MIT POS.3-5,10-14)                         | hook<br>(with pos. 3-5,10-14)         |
| 3    | 0467 150824 | SPULENGEHAEUSE V<br>(MIT POS.6-9)                        | bobbin case<br>(with pos. 6-9)        |
| 4    | 0467 150750 | DECKRING   | cover ring                            |
| 5    | 0992 016580 | ZYL. SCHR.   | cyl. screw                            |
| 6    | 0367 150270 | KEGELST.FEDER  | taper pin spring                      |
| 7    | 0992 023560 | LI.SENKSCHR.   | screw                                 |
| 8    | 0992 023577 | LI.SENKSCHR.   | light barrier                         |
| 9    | 0467 150440 | SPANNUNGSFEDER   | tension spring                        |
| 10   | 0367 150240 | DECKEL   | cover                                 |
| 11   | 9203 211830 | LI.SENKSCHR.   | light barrier                         |
| 12   | 0993 940758 | GEW.STIFT  | threaded pin                          |
| 13   | 0467 150030 | OELROHR  | oil pipe                              |
| 14   | 0992 023810 | GEW.STIFT  | threaded pin                          |
| 15   | 0467 150430 | STAUBKAPPE   | dust cover                            |
| 16   | 0367 150453 | ZUGSTANGE<br>(MIT POS.17,18)                             | draught-rod<br>(with pos. 17,18)      |
| 17   | 0367 150370 | SCHWENKHEBEL   | pivoted lever                         |
| 18   | 0367 150380 | BOLZEN   | bolt, stud                            |
| 19   | 0367 150824 | EXZ.WELLE<br>(MIT POS.20-23)                             | eccentric shaft<br>(with pos.20-23)   |
| 20   | 0367 150823 | EXZ.WELLE  | eccentric shaft                       |
| 21   | 0367 150830 | BOLZEN   | bolt, stud                            |
| 22   | 0367 150840 | PRISMA   | prisma                                |
| 23   | 0702 000073 | GEW.STIFT  | threaded.pin                          |
| 24   | 9357 000060 | SICH.SCHEIBE   | fastennig disc                        |
| 25   | 0367 150490 | SPGH.LUEFTER   | lifter lever                          |
| 26   | 9203 003354 | ZYL.SCHR.  | cyl. screw                            |
| 27   | 0367 150900 | PASZSCHEIBE 0,3  | washer 0,3                            |
| 27   | 0367 150910 | PASZSCHEIBE 0,4  | washer 0,4                            |
| 28   | 0767 150050 | OELFANGRING  | oil drip ring                         |

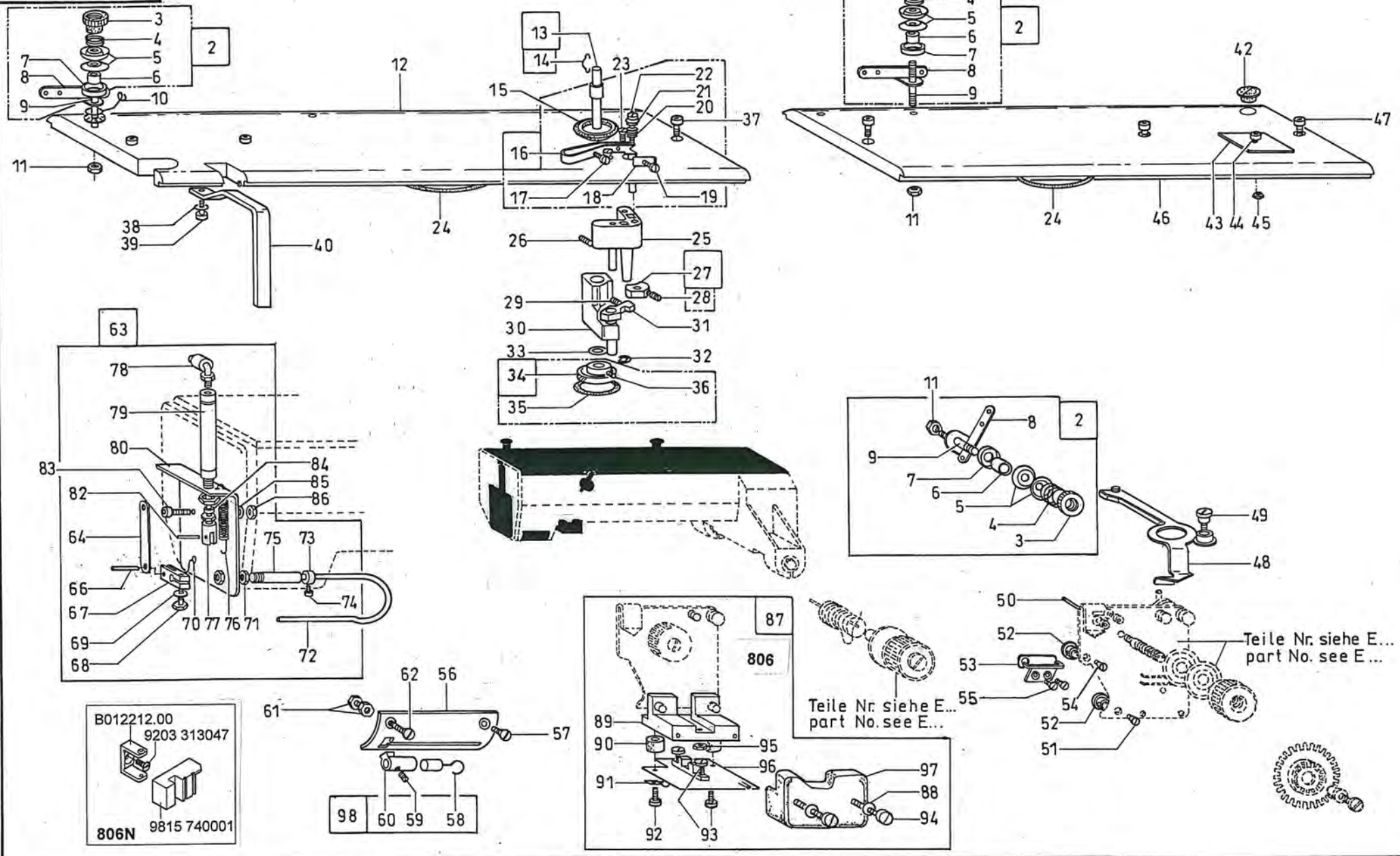
| Pos. | Teile-Nr.   | Benennung                     | Denomination            |
|------|-------------|-------------------------------|-------------------------|
| 29   | 9120 020100 | RILLENKUGELLAGER              | ball bearing            |
| 30   | 0767 150070 | SCHEIBE 0,3                   | disc 0,3                |
| 31   | 0767 150060 | SCHEIBE                       | disc                    |
| 32   | 9120 010100 | RILLENKUGELLAGER              | ball bearing            |
| 33   | 0367 150343 | GREIFERWELLE K                | hook shaft cpl.         |
| 34   | 0467 150393 | WINKELNIPPEL V                | angle                   |
| 35   | 0367 350103 | BUCHSE V                      | bushing                 |
| 36   | 0999 230518 | DICHTRING                     | gasket ring             |
| 37   | 0367 150193 | KLEMMRING                     | clamping ring           |
| 38   | 0367 150360 | BOLZEN                        | bolt, stud              |
| 39   | 0467 150364 | GREIFERLAGER                  | hook bearing            |
| 40   | 0467 150370 | DECKEL                        | cover                   |
| 41   | 9203 003667 | ZYL.SCHR.                     | cyl. screw              |
| 42   | 9330 000087 | SCHEIBE                       | disc                    |
| 43   | 0467 150380 | DICHTUNG                      | gasket                  |
| 44   | 0699 991582 | PFEIFENREINIGER               | oil wick                |
| 45   | 0993 020950 | ZYL.STIFT                     | cylinder pin            |
| 46   | 9205 023620 | GEW.STIFT                     | threaded pin            |
| 47   | 9202 002077 | ZYL.SCHR.                     | cyl. screw              |
| 48   | 0467 150773 | ANTRIEBSWELLE V               | driving shaft           |
| 49   | 0998 881620 | PASZSCHEIBE                   | washer                  |
| 50   | 9120 010150 | RILLENKUGELLAGER              | ball bearing            |
| 51   | 0467 150353 | MITTELT. HALTER               | holder                  |
| 52   | 9740 003804 | O-RING                        | ring                    |
| 53   | 9120 010150 | RILLENKUGELLAGER              | ball bearing            |
| 54   | 0467 150740 | BUCHSE                        | bushing                 |
| 55   | 9205 101568 | GEW.STIFT                     | threaded pin            |
| 56   | 9203 313052 | SENKSCHR.                     | sunk screw              |
| 57   | 9202 003187 | ZYL.SCHR.                     | cyl. screw              |
| 58   | 0467 150670 | LAGERBOCK                     | jack, support           |
| 59   | 0999 210890 | SINTERLAGER                   | sinter.bearing          |
| 60   | 0973 460903 | KLEMMKLOBEN V<br>(MIT POS.61) | block<br>(with pos. 61) |
| 61   | 9202 002928 | ZYL.SCHR.                     | cyl. screw              |
| 62   | 0167 001800 | SPULE, SCHWARZ                | bobbin, black           |
| 63   | 0911 000339 | FL.RD.SCHR.                   | screw                   |

1



| Pos. | Teile-Nr.   | Benennung  | Denomination                                |
|------|-------------|--|---|
|      |             | NAEHMASCHINE KL. 806 - 111 / SEWING MACHINE CL. 806 -111 |   |
| 1    | 0467 150364 | GREIFERLAGER K<br>(MIT POS.2-27,33-61)                   | hook bearing cpl.<br>(with pos. 2-27,33-61) |
| 1    |             | +Tafel 14  | + table 14                                  |
| 2    | 9120 010100 | RILLENKUGELLAGER   | ball bearing                                |
| 3    | 0367 160140 | BUCHSE   | bushing                                     |
| 4    | 0367 150413 | STIRNRAD<br>(MIT POS. 5,6)                               | spur gear<br>(with pos. 5,6)                |
| 5    | 9205 023940 | GEW. STIFT   | threaded pin                                |
| 6    | 0998 860530 | O-RING   | ring  |
| 8    | 0367 150540 | MUTTER   | nut   |
| 9    | 0992 023820 | 6KT. MUTTER  | hexagonal nut                               |
| 10   | 0367 150530 | SPINDEL  | spindel                                     |
| 11   | 9120 010100 | RILLENKUGELLAGER   | ball bearing                                |
| 12   | 9353 000198 | SICH.RING  | retainer ring                               |
| 13   | 0367 150403 | STIRNRAD KL.<br>(MIT POS.15)                             | wheel<br>(with pos. 15)                     |
| 15   | 9205 102158 | GEW. STIFT   | threaded pin                                |
| 16   | 0367 150770 | BUCHSE   | bushing                                     |
| 17   | 0467 150283 | WINKELNIPPEL V   | nipple                                      |
| 18   | 9203 003028 | ZYL. SCHR.   | cyl. screw                                  |
| 19   | 9202 002068 | ZYL. SCHR.   | cyl. screw                                  |
| 20   | 9202 002087 | ZYL. SCHR.   | cyl. screw                                  |
| 21   | 0998 859400 | SIMMERRING   | sealing ring                                |
| 22   | 0367 350180 | KURVENSCHIEBE  | cam   |
| 23   | 9202 002077 | ZYL. SCHR.   | cyl. screw                                  |
| 24   | 9202 002087 | ZYL. SCHR.   | cyl. screw                                  |
| 25   | 9202 002068 | ZYL. SCHR.   | cyl. screw                                  |
| 26   | 0367 150580 | DECKEL   | cover                                       |
| 27   | 0367 150590 | DICHTUNG   | gasket                                      |
| 28   | 0467 100670 | BLECH  | plate                                       |
| 29   | 9202 002057 | ZYL. SCHR.   | cyl. screw                                  |
| 30   | 9231 000347 | 6KT. MUTTER  | hexagonal nut                               |
| 31   | 0911 000339 | FL.RD. SCHR.   | screw                                       |
| 32   | 9330 900097 | SCHEIBE  | disc  |

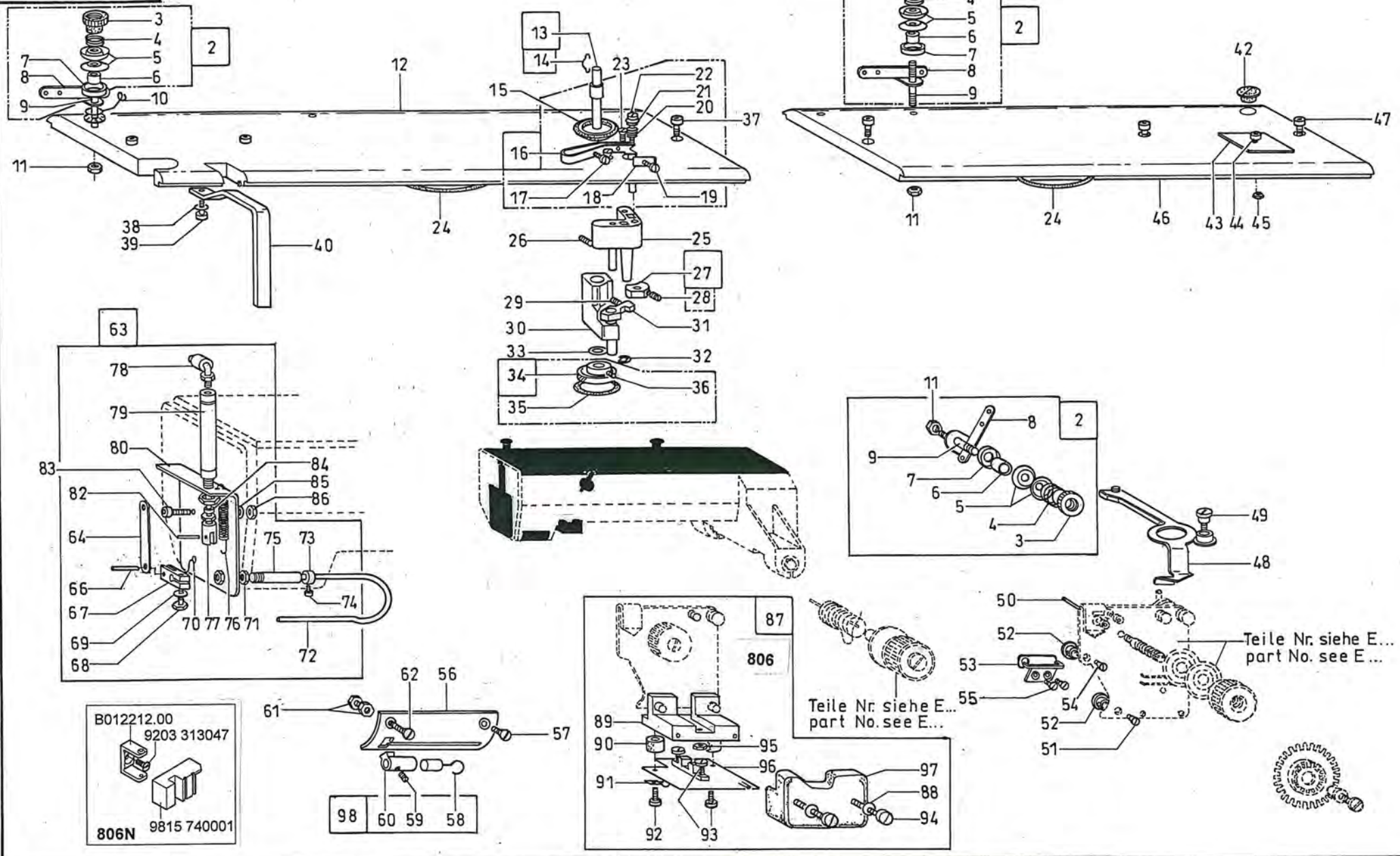
| Pos. | Teile-Nr.   | Benennung                   | Denomination                    |
|------|-------------|-----------------------------|---------------------------------|
| 33   | 0367 350070 | FADENZ.MESSER               | threadpull knife                |
| 34   | 0367 350060 | KLEMMFEDER                  | fixing clamp                    |
| 35   | 9203 002747 | ZYL. SCHR.                  | cyl. screw                      |
| 36   | 0367 350050 | MESSER                      | knife                           |
| 37   | 9203 002747 | ZYL. SCHR.                  | cyl. screw                      |
| 38   | 0467 350020 | MESSERTRAEGER               | knife carrier                   |
| 39   | 9202 002517 | ZYL. SCHR.                  | cyl. screw                      |
| 40   | 9330 000087 | SCHEIBE                     | disc                            |
| 41   | 0367 350113 | STELLRING V<br>(MIT POS.42) | adjusting ring<br>(with pos 42) |
| 42   | 9205 102158 | GEW. STIFT                  | threaded pin                    |
| 43   | 0367 350120 | HEBEL                       | lever                           |
| 44   | 0067 351680 | BOLZEN                      | bolt, stud                      |
| 45   | 9202 002087 | ZYL.SCHR.                   | cyl. screw                      |
| 46   | 9357 000060 | SICH. SCHEIBE               | fastennig disc                  |
| 47   | 0367 350130 | ZUGSTANGE                   | draught-rod                     |
| 48   | 0367 350140 | KLOBEN.                     | block                           |
| 49   | 9202 002068 | ZYL. SCHR.                  | cyl. screw                      |
| 50   | 0067 351680 | BOLZEN                      | bolt, stud                      |
| 51   | 0367 350150 | MAGNETTRAEGER               | magnet carrier                  |
| 52   | 0894 450388 | FAECHERSCHIEBE              | disc                            |
| 53   | 9202 002887 | ZYL. SCHR.                  | cyl. screw                      |
| 54   | 9202 002068 | ZYL. SCHR.                  | cyl. screw                      |
| 55   | 0999 201573 | MAGNET,GS.HUB               | magnet                          |
| 56   | 0367 350163 | HEBEL K<br>(MIT POS.57-59)  | lever cpl.<br>(with pos. 57-59) |
| 57   | 0767 350010 | ROLLE                       | roll, roller                    |
| 58   | 9357 000050 | SICH. SCHEIBE               | fastennig disc                  |
| 59   | 9202 002087 | ZYL. SCHR.                  | cyl. screw                      |
| 61   | 0367 350083 | FADENZ. TRAEGER V           | threadpull carrier              |



| Pos. | Teile-Nr.   | Benennung   | Denomination                           |
|------|-------------|---|--|
|      |             | NAEHMASCHINE KL 806 -111 / SEWING MACHINE CL. 806 - 111 |  |
| 2    | 0221 110154 | VORSPANNUNG K.<br>(MIT POS.3-9)                         | pretension cpl.<br>(with pos.3-9)      |
| 3    | 0993 411208 | RAENDELMUTTER   | knurled nut                            |
| 4    | 0396 110470 | DRUCKFEDER  | presser spring                         |
| 5    | 0037 001280 | FADENSP. SCHEIBE  | thread tension disc                    |
| 6    | 0221 110160 | BUCHSE  | bushing                                |
| 7    | 0221 110150 | SCHEIBE   | disc                                   |
| 8    | 0396 170160 | FADENFUEHRUNG   | thread guide                           |
| 9    | 0396 170170 | GEW. BOLZEN   | threaded bolt                          |
| 10   | 0367 170090 | FADENFUEHRUNG   | thread guide                           |
| 11   | 9231 000378 | 6KT. MUTTER   | hexagonal nut                          |
| 12   | 0467 100523 | ARMDECKEL V   | arm cover                              |
| 13   | 0367 170044 | SPULERWELLE V<br>(MIT POS.14)                           | winder shaft<br>(with pos.14)          |
| 14   | 0367 170040 | KLEMMFEDER  | fixing clamp                           |
| 15   | 0367 170020 | BUNDBUCHSE  | bushing                                |
| 16   | 0367 170033 | AUSLOESEHEBEL K<br>(MIT POS.17-22)                      | release lever cpl.<br>(with pos.17-22) |
| 17   | 9203 003067 | ZYL. SCHR.  | cyl. screw                             |
| 18   | 0367 170060 | MESSER  | knife                                  |
| 19   | 9203 003027 | ZYL. SCHR.  | cyl. screw                             |
| 20   | 0196 001890 | DRUCKFEDER  | presser spring                         |
| 21   | 0367 170070 | SCHEIBE   | disc                                   |
| 22   | 9203 003067 | ZYL. SCHR.  | cyl. screw                             |
| 23   | 9203 313652 | SENKSCHR.   | sunk screw                             |
| 24   | 0699 989250 | RUNDSCHNUR  | bar                                    |
| 25   | 0396 170253 | SPULERBOCK V  | winder block                           |
| 26   | 0067 320150 | DRUCKFEDER  | presser spring                         |
| 27   | 0396 170283 | AUSLOESENOCK.V<br>(MIT POS 28)                          | release cam<br>(with pos.28)           |
| 28   | 9205 102168 | GEW. STIFT  | threaded pin                           |
| 29   | 0396 170080 | DRUCKFEDER  | presser spring                         |
| 30   | 0396 170260 | SPULERARM   | arm                                    |
| 31   | 0396 170270 | EINRUECKKLOBEN  | block                                  |

| Pos. | Teile-Nr.   | Benennung                       | Denomination                      |
|------|-------------|---------------------------------|-----------------------------------|
| 32   | 9357 000050 | SICH. SCHEIBE                   | fastennig disc                    |
| 33   | 0430 277360 | SCHEIBE                         | disc                              |
| 34   | 0367 170083 | SPULERRAD V<br>(MIT POS. 35,36) | winder wheel<br>(with pos. 35,36) |
| 35   | 0998 861590 | O-RING                          | ring                              |
| 36   | 9205 102168 | GEW. STIFT                      | threaded pin                      |
| 37   | 9202 042488 | ZYL. SCHR.                      | cyl. screw                        |
| 38   | 9330 000087 | SCHEIBE                         | disc                              |
| 39   | 9202 002067 | ZYL. SCHR.                      | cyl. screw                        |
| 40   | 0467 100010 | FADENH. SCHUTZ                  | protector                         |
| 42   | 9840 136002 | VERSCHL.STOPFEN                 | plug                              |
| 43   | 0467 100090 | ABDECKBLECH                     | cover sheet                       |
| 44   | 9202 042078 | ZYL. SCHR.                      | cyl. screw                        |
| 45   | 9231 000378 | 6KT. MUTTER                     | hexagonal nut                     |
| 46   | 0467 100140 | ARMDECKEL                       | arm cover                         |
| 47   | 9202 042488 | ZYL. SCHR.                      | cyl. screw                        |
| 48   | 0367 110203 | AUSLOESEHEBEL V.                | release lever                     |
| 49   | 0993 991700 | FL. KOPFSCHR.                   | coutersunk screw                  |
| 50   | 0367 110380 | STIFT                           | pin                               |
| 51   | 9203 313667 | SENKSCHR.                       | sunk screw                        |
| 52   | 0367 110130 | HUELSE                          | bushing                           |
| 53   | 0367 110370 | FADENF. OESE                    | thread loop                       |
| 54   | 9203 313658 | SENKSCHR.                       | sunk screw                        |
| 55   | 9203 313667 | SENKSCHR.                       | sunk screw                        |
| 56   | 0367 110310 | FADENF. BLECH                   | thread plate                      |
| 57   | 9203 313657 | SENKSCHR.                       | sunk screw                        |
| 58   | 0367 110333 | HAKEN                           | hook                              |
| 59   | 0702 000073 | GEW. STIFT                      | threaded pin                      |
| 60   | 0367 110300 | FADENF.KOERPER                  | body                              |
| 61   | 9231 000367 | 6KT. MUTTER                     | hexagonal nut                     |
| 62   | 9203 313717 | SENKSCHR.                       | sunk screw                        |
| 63   | 0467 110154 | WINKEL K<br>(MIT POS. 64-86)    | angle<br>(with pos. 64-86)        |
| 64   | 0802 513040 | GELENK                          | joint                             |
| 66   | 9305 000830 | SPANNSTIFT                      | pin                               |
| 67   | 0802 513023 | KLEMMKLOBEN<br>(MIT POS.68,69)  | block<br>(with pos. 68,69)        |





B012212.00  
9203 313047  
806N 9815 740001

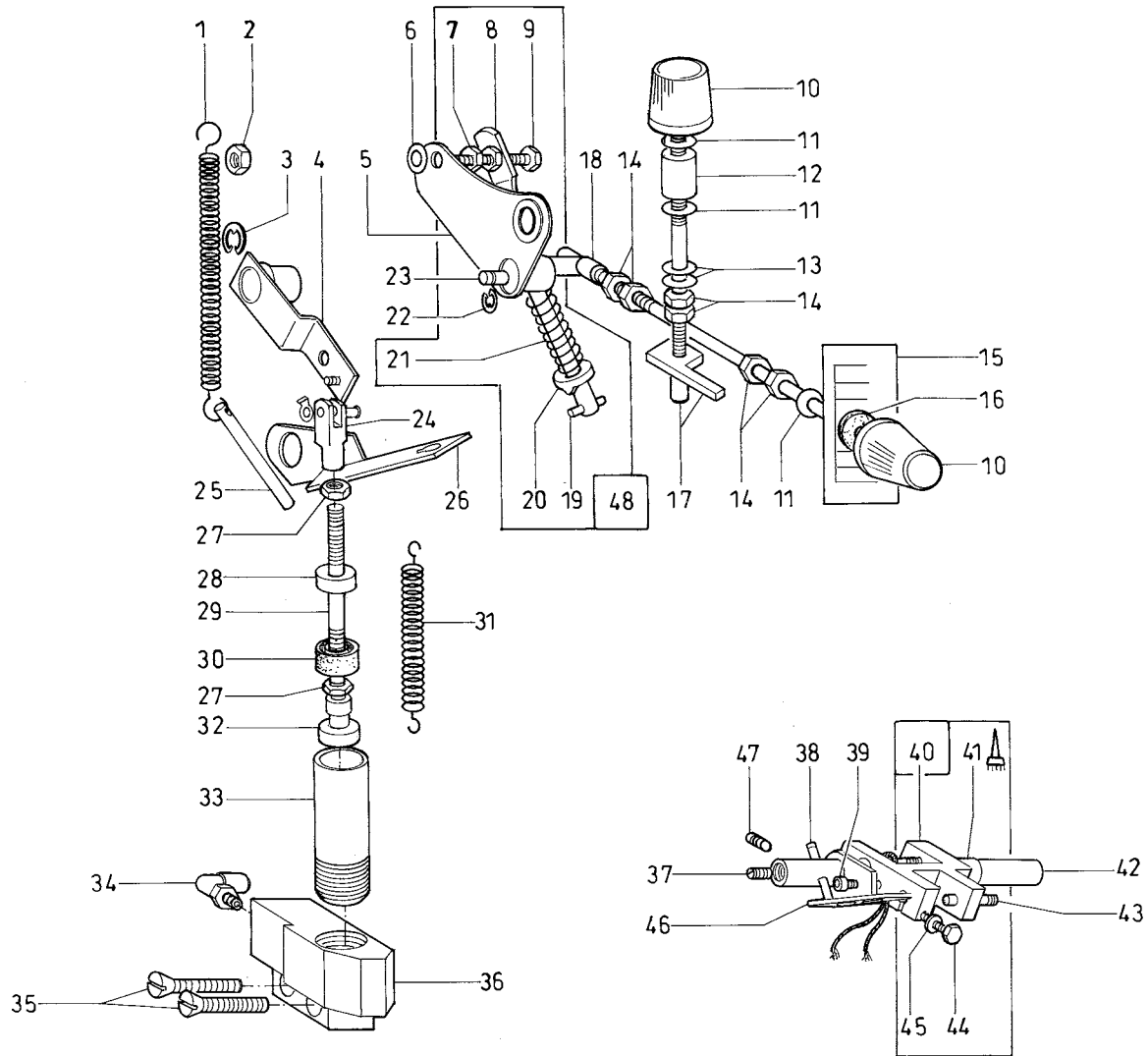
Teile Nr. siehe E...  
part No. see E...


Teile Nr. siehe E...  
part No. see E...



| Pos. | Teile-Nr.   | Benennung                           | Denomination                            |
|------|-------------|-------------------------------------|---|
| 68   | 9201 112457 | 6KT. SCHR.                          | hexagonal screw                         |
| 69   | 9330 000087 | SCHEIBE                             | disc                                    |
| 70   | 0802 513080 | HAKEN                               | hook                                    |
| 71   | 0992 024147 | 6KT. MUTTER                         | hexagonal nut                           |
| 72   | 0467 110130 | BUEGEL                              | bow                                     |
| 73   | 0996 120347 | STELLRING                           | set-ring, adjusting                     |
| 74   | 9203 002422 | ZYL. SCHR.                          | cyl. screw                              |
| 75   | 0467 110120 | BUCHSE                              | bushing                                 |
| 76   | 0025 162210 | ZUGFEDER                            | tensile spring                          |
| 77   | 0802 511990 | GABELKOPF                           | fork head                               |
| 78   | 9790 201000 | VERSCHR. WI-E                       | coupling                                |
| 79   | 9700 000025 | ZYLINDER,EINF.                      | cylinder                                |
| 80   | 0467 110150 | WINKEL                              | angle                                   |
| 82   | 9305 000830 | SPANNSTIFT                          | pin                                     |
| 83   | 9231 000347 | 6KT. MUTTER                         | hexagonal nut                           |
| 84   | 0975 417340 | BUCHSE                              | bushing                                 |
| 85   | 9330 000087 | SCHEIBE                             | disc                                    |
| 86   | 9231 110057 | 6KT. MUTTER                         | hexagonal nut                           |
| 87   | 9880 806003 | FADENWAECHTER K<br>(MIT POS.88-97)  | thread monitor cpl.<br>(with pos.88-97) |
| 88   | 9330 000067 | SCHEIBE                             | disc                                    |
| 89   | 0467 110060 | HALTER                              | holder                                  |
| 90   | 0396 340440 | DISTANZRING                         | distance ring                           |
| 91   | 9840 120025 | BEF. SCHELLE                        | clamp                                   |
| 92   | 9203 003077 | ZYL. SCHR.                          | cyl. screw                              |
| 93   | 9203 003067 | ZYL. SCHR:                          | cyl. screw                              |
| 94   | 9203 003057 | ZYL. SCHR.                          | cyl. screw                              |
| 95   | 9231 000347 | 6KT. MUTTER                         | hexagonal nut                           |
| 96   | 0999 202461 | GEDR. SCHALTUNG                     | control                                 |
| 97   | 0467 110110 | HAUBE                               | bonnet, cap                             |
| 98   | 0367 110334 | FADENFUEHRUNG K.<br>(MIT POS.58-60) | thread guide cpl.<br>(with pos.58-60)   |

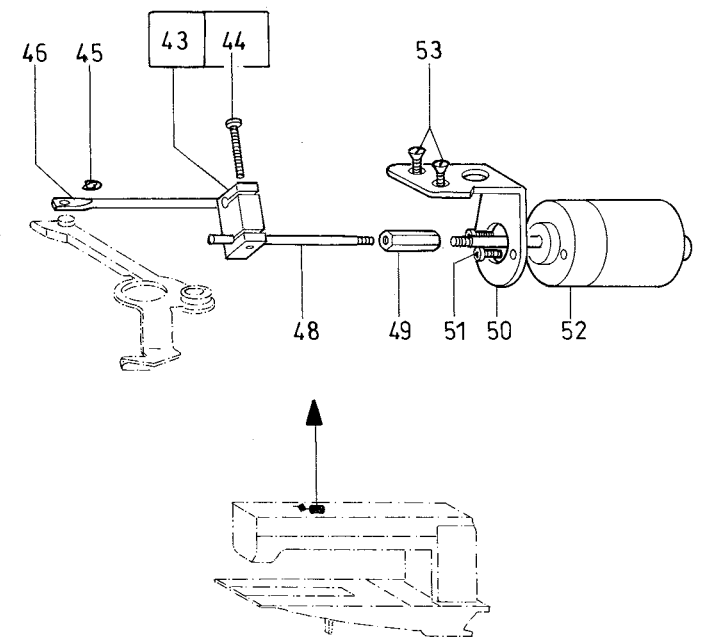
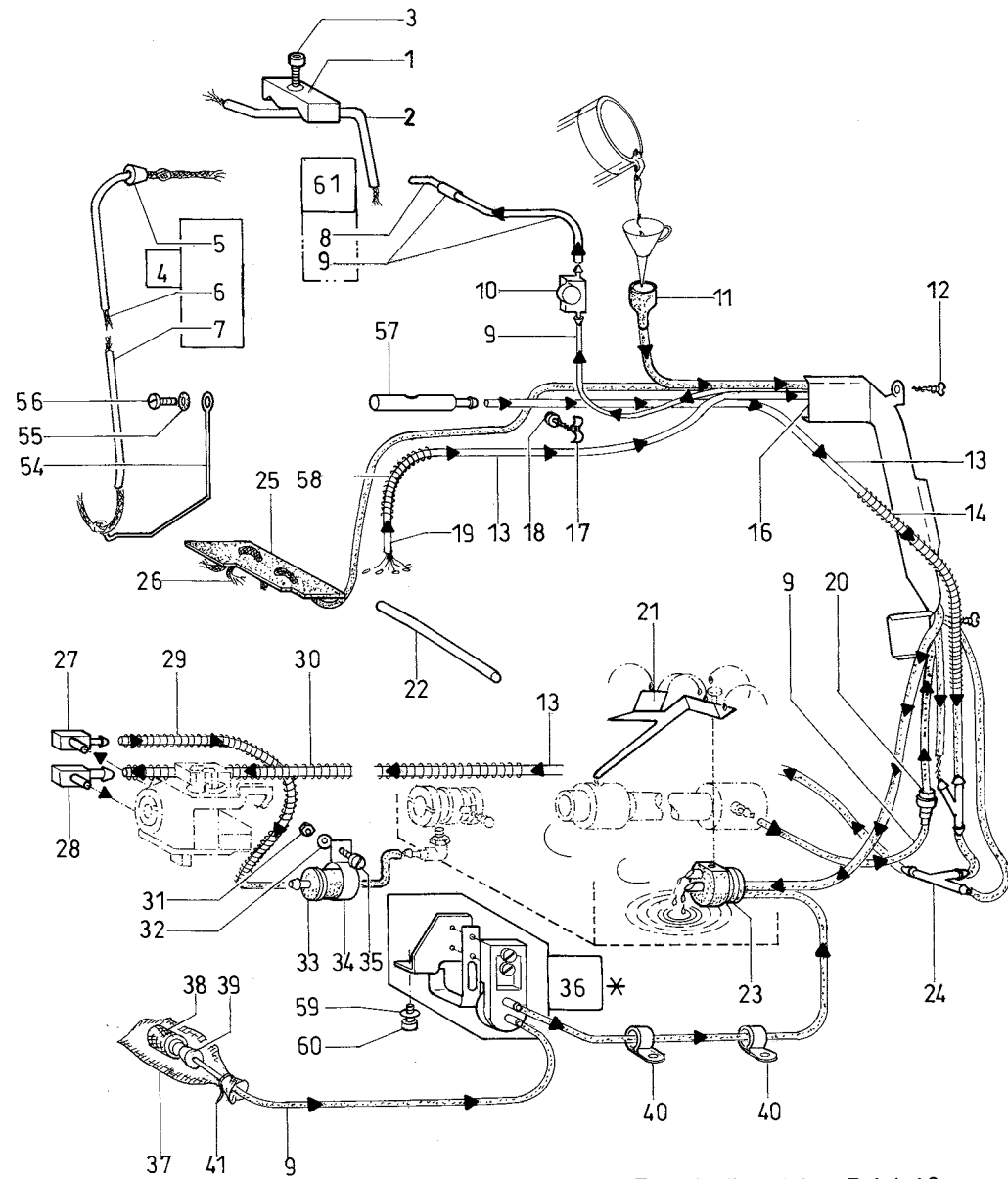
| Pos. | Teile-Nr. | Benennung | Denomination |
|------|-----------|-----------|--------------|
|------|-----------|-----------|--------------|



-geklebt  $\hat{=}$  bonded

| Pos. | Teile-Nr.   | Benennung  | Denomination     |
|------|-------------|--|------------------|
|      |             | NAEHMASCHINE KL. 806 - 111 / SEWING MACHINE CL. 806 -111 |                  |
| 1    | 0504 331340 | ZUGFEDER   | tensile spring   |
| 2    | 9231 110057 | 6KT. MUTTER  | hexagonal nut    |
| 3    | 9357 000070 | SICH. SCHEIBE  | fastennig disc   |
| 4    | 0467 130163 | HEBEL V  | lever            |
| 5    | 0467 130203 | FEDERHEBEL V   | spring lever     |
| 6    | 9330 000087 | SCHEIBE  | disc             |
| 7    | 9231 000367 | 6KT. MUTTER  | hexagonal nut    |
| 8    | 0467 130183 | ZUGSTANGE V  | pull rod         |
| 9    | 9201 112507 | 6KT. SCHR.   | hexagonal screw  |
| 10   | 0467 130140 | SPINDEL V  | spindle          |
| 11   | 0998 881010 | PASZSCHEIBE  | washer           |
| 12   | 0801 400630 | DISTANZBUCHSE  | distance bushing |
| 13   | 9332 500130 | FEDERSCHEIBE   | spring disc      |
| 14   | 9231 000680 | 6KT. MUTTER  | hexagonal nut    |
| 15   | 0467 130260 | SKALA  | scala            |
| 16   | 0980 401920 | SCHEIBE  | disc             |
| 17   | 0467 130253 | ANSCHLAG V   | guide            |
| 18   | 0396 350970 | HUELSE   | bushing          |
| 19   | 9305 001640 | SPANNSTIFT   | pin              |
| 20   | 0467 130340 | FEDERFUEHRUNG  | guide            |
| 21   | 0467 130240 | DRUCKFEDER   | presser spring   |
| 22   | 9357 000090 | SICH.SCHEIBE   | fastennig disc   |
| 23   | 0467 130190 | BOLZEN   | bolt, stud       |
| 24   | 0999 220726 | BEFESTIGUNG F  | fastening        |
| 25   | 0467 130150 | ZYL., STIFT  | cylinder pin     |
| 26   | 0367 130320 | GABELHEBEL   | fork lever       |
| 27   | 9255 110050 | 6KT. MUTTER  | hexagonal nut    |
| 28   | 0746 011337 | SCHEIBE  | disc             |
| 29   | 0805 411360 | STANGE   | bar              |
| 30   | 0246 000348 | DICHTRING  | gasket ring      |
| 31   | 0067 351320 | ZUGFEDER   | tensile spring   |
| 32   | 0246 000347 | KOLBENKOPF   | pisto head       |
| 33   | 0578 020064 | ZYLINDERROHR   | cylind pipe      |
| 34   | 9790 201000 | VERSCHR. WI-E  | coupling         |

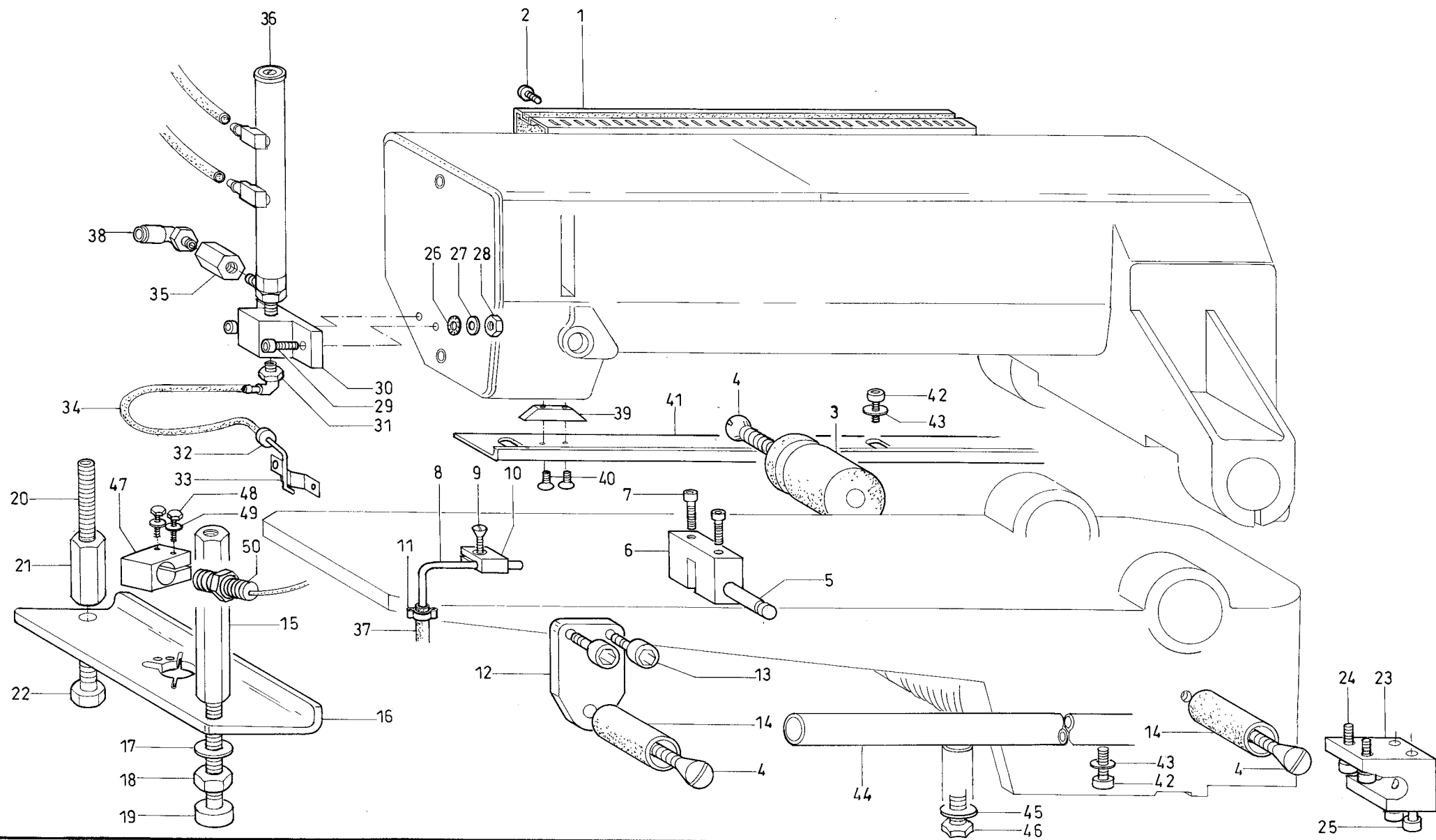
| Pos. | Teile-Nr.   | Benennung           | Denomination          |
|------|-------------|---------------------|-----------------------|
| 35   | 9203 313707 | SENKSCHR.           | sunk screw            |
| 36   | 0467 130390 | KLOBEN              | block                 |
| 37   | 9205 102798 | GEW. STIFT          | threaded pin          |
| 38   | 0467 130150 | ZYL. STIFT          | cylinder pin          |
| 39   | 9202 042488 | ZYL. SCHR.          | cyl. screw            |
| 40   | 0467 130093 | GABEL V             | fork                  |
|      |             | (MIT POS.41,44,45)  | (with pos. 41,44,45)  |
| 41   | 0367 130340 | BUCHSE              | bushing               |
| 42   | 0467 130110 | WELLE               | shaft                 |
| 43   | 0367 130300 | BOLZEN              | bolt, stud            |
| 44   | 9201 111278 | 6KT. SCHR.          | hexagonal screw       |
| 45   | 9330 000067 | SCHEIBE             | disc                  |
| 46   | 0367 130320 | GABELHEBEL          | fork lever            |
| 47   | 0993 941028 | GEW. STIFT          | threaded pin          |
| 48   | 0467 130184 | ZUGSTANGE K.        | pull rod cpl.         |
|      |             | (MIT POS.7-9,19-21) | (with pos. 7-9,19-21) |



\* Einzelteile siehe Tafel 10 ≙ part numbers see table 10

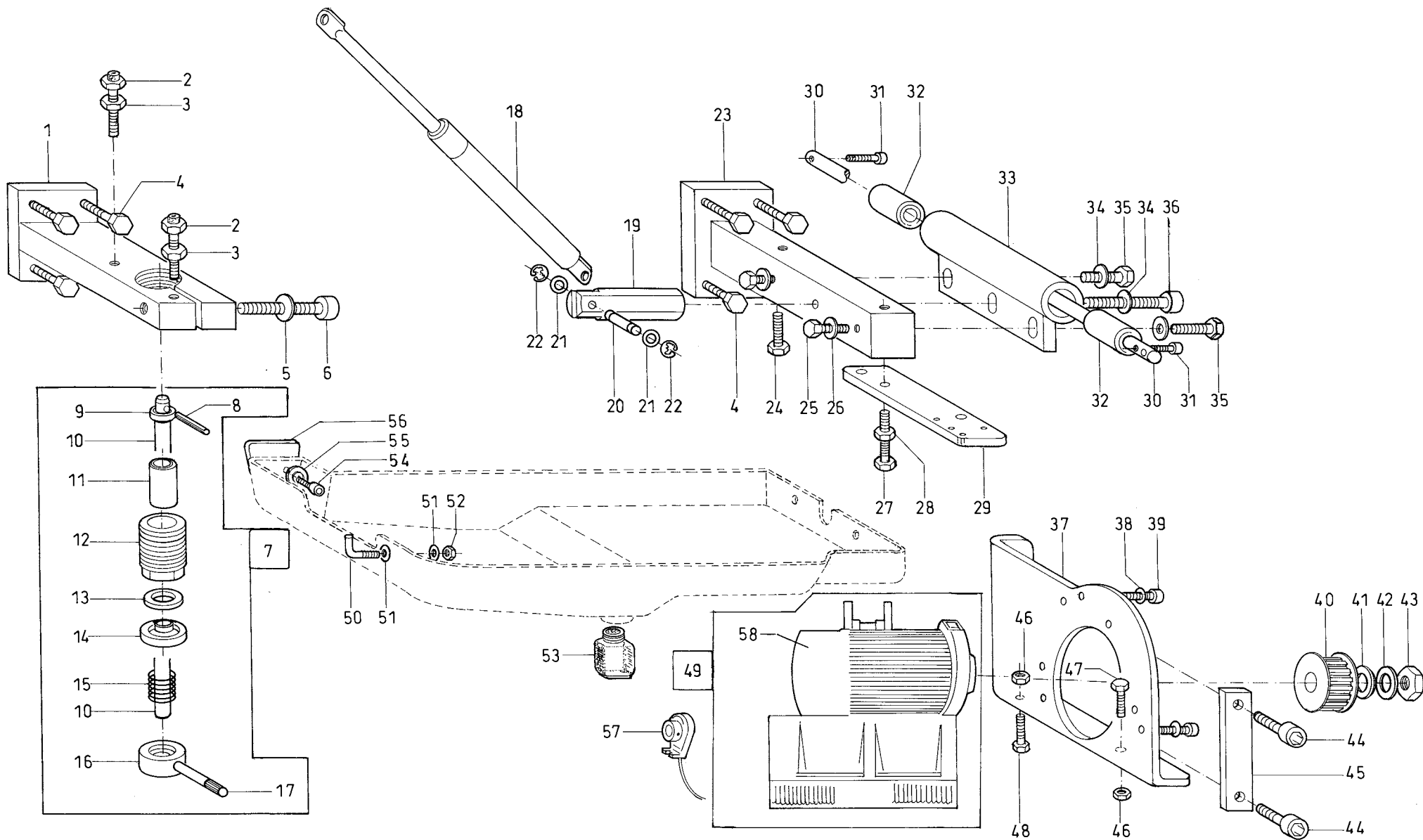
| Pos. | Teile-Nr.   | Benennung                      | Denomination                    |
|------|-------------|--------------------------------|---------------------------------|
|      |             | NAEHMASCHINE KL. 806 - 111     | SWEING MACHINE CPL:<br>806 -111 |
| 1    | 0467 310280 | KLEMMSTUECK                    | clamp piece                     |
| 2    | 0467 310273 | OELROHR V                      | oil pipe                        |
| 3    | 9202 002907 | ZYL. SCHR.                     | cyl. screw                      |
| 4    | 0467 310043 | OELSCHLAUCH V<br>(MIT POS.5-7) | oil hose<br>(with pos. 5-7)     |
| 5    | 0367 310370 | DICHTSTOPFEN                   | pflug                           |
| 6    | 9041 100015 | OELDOCHT,RUND                  | oil wick,round                  |
| 7    | 0699 979100 | SCHLAUCH                       | hose                            |
| 8    | 0367 100260 | OELROHR                        | oil pipe                        |
| 9    | 0699 979100 | SCHLAUCH                       | hose                            |
| 10   | 0367 310180 | SCHAUGLAS                      | inspectionglass                 |
| 11   | 0367 100250 | EINFUELLTRICHT.                | funnel                          |
| 12   | 0894 582430 | SENKBLECHSCHR.                 | screw                           |
| 13   | 0699 979104 | SCHLAUCH                       | hose                            |
| 14   | 0367 100370 | STUETZFEDER                    | supporting spring               |
| 16   | 0367 100240 | SCHUTZBLECH                    | guard plate                     |
| 17   | 9840 120002 | NAGELSCHELLE                   | cable shoe, ring                |
| 18   | 0993 150757 | HALBRD. HOLZSCHR.              | screw                           |
| 19   | 9041 100050 | OELDOCHT;RUND                  | oil wick,round                  |
| 20   | 0999 220710 | VENTIL                         | valve                           |
| 21   | 0467 150583 | OELBLECH V                     | drip oan                        |
| 22   | 0296 001543 | LUEFTUNGSROHR V                | pipe                            |
| 23   | 0467 150410 | STOPFEN                        | plug                            |
| 24   | 0367 100190 | ABZWEIGROHR                    | pipe                            |
| 25   | 0467 100390 | OELKISSEN                      | oil satchel                     |
| 26   | 9041 100212 | BAUMWOLLDOCHT                  | wick                            |
| 27   | 0467 150393 | WINKELNIPPEL V                 | angle                           |
| 28   | 0467 150283 | WINKELNIPPEL V                 | nipple                          |
| 29   | 0467 150400 | STUETZFEDER                    | supporting spring               |
| 30   | 0367 100370 | STUETZFEDER                    | supporting spring               |
| 31   | 9231 110057 | 6KT. MUTTER                    | hexagonal nut                   |
| 32   | 9330 000087 | SCHEIBE                        | disc                            |
| 33   | 0999 220790 | DURCHG.FILTER                  | filter                          |
| 34   | 9840 120033 | BEF. SCHELLE                   | clamp                           |

| Pos. | Teile-Nr.   | Benennung                    | Denomination                     |
|------|-------------|------------------------------|----------------------------------|
| 35   | 9203 003697 | ZYL. SCHR.                   | cyl. screw                       |
| 36   | 0271 140144 | PUMPE K                      | pump cpl.                        |
| 37   | 0767 150230 | FILTERTASCHE                 | filter pocket                    |
| 38   | 0933 001565 | SINTERTEIL                   | sinter part                      |
| 39   | 0797 002016 | SCHLAUCHTUELLE               | hose socket                      |
| 40   | 9840 120026 | BEF. SCHELLE                 | clamp                            |
| 41   | 9840 121002 | KABELBINDER                  | cable tie                        |
| 43   | 0367 110423 | KLOBEN V<br>(MIT POS.44)     | block<br>(with pos. 44)          |
| 44   | 9203 003757 | ZYL. SCHR.                   | cyl. screw                       |
| 45   | 9357 000050 | SICH. SCHEIBE                | fastennig disc                   |
| 46   | 0367 110270 | ZUGSTANGE                    | draught-rod                      |
| 48   | 0367 110400 | STANGE                       | bar                              |
| 49   | 0367 110220 | EINST. MUTTER                | reg nut                          |
| 50   | 0467 110090 | MAGNETTRAEGER                | magnet carrier                   |
| 51   | 9202 002068 | ZYL. SCHR.                   | cyl. screw                       |
| 52   | 0999 201517 | MAGNET,GS.HUB                | magnet                           |
| 53   | 9203 313967 | SENKSCHR.                    | sunk screw                       |
| 54   | 0367 100390 | FEDERBUEGEL                  | spring bow                       |
| 55   | 0894 450378 | FAECHERSCHEIBE               | disc                             |
| 56   | 9203 003957 | ZYL. SCHR.                   | cyl. screw                       |
| 57   | 0367 100170 | OELNIPPEL                    | nipple                           |
| 58   | 0367 100300 | DRUCKFEDER                   | presser spring                   |
| 59   | 9330 900097 | SCHEIBE                      | disc                             |
| 60   | 9202 002087 | ZYL. SCHR.                   | cyl. screw                       |
| 61   | 0367 100593 | OELROHR K .<br>(MIT POS.8,9) | oil pipe cpl.<br>(with pos. 8,9) |



| Pos. | Teile-Nr.        | Benennung   | Denomination     |
|------|------------------|---|------------------|
|      |                  | NAEHMASCHINE KL. 806 - 111 / SEWING MACHINE CL. 806-111 |                  |
| 1    | 0002 007191 0700 | KABELKANAL  | cable duct       |
| 2    | 9203 100632      | FLACHKOPFSCHR.  | coutersunk screw |
| 3    | 0806 401400      | ROLLE   | roll, roller     |
| 4    | 9202 101038      | SENKSCHR.   | sunk screw       |
| 5    | 9301 102153      | RGKPF .ZYL. STIFT                                       | pin              |
| 6    | MG50 001356      | LAGERBOCK   | jack, support    |
| 7    | 9202 042897      | ZYL. SCHR.  | cyl. screw       |
| 8    | 0802 511720      | ROHR  | pipe             |
| 9    | 9203 313697      | SENKSCHR.   | sunk screw       |
| 10   | 0804 413190      | KLEMMSTUECK   | clamp piece      |
| 11   | 0999 220475      | SCHLAUCHKLEMME  | hose clamp       |
| 12   | 0806 401420      | PLATTE  | plate            |
| 13   | 9202 002897      | ZYL. SCHR.  | cyl. screw       |
| 14   | 0806 401410      | ROLLE   | roll, roller     |
| 15   | 0806 401610      | BOLZEN  | bolt, stud       |
| 16   | 0806 401620      | RASTPLATTE  | plate            |
| 17   | 9330 000137      | SCHEIBE   | disc             |
| 18   | 9231 110147      | 6KT. MUTTER   | hexagonal nut    |
| 19   | 9202 003807      | ZYL. SCHR.  | cyl. screw       |
| 20   | 9205 102878      | GEW. STIFT  | threaded pin     |
| 21   | 0794 002244      | BOLZEN  | bolt, stud       |
| 22   | 9201 113707      | 6KT. SCHR.  | hexagonal screw  |
| 23   | 0806 400200      | FURHRUNGSKLOTZ  | guide block      |
| 24   | 9202 003307      | ZYL. SCHR.  | cyl. screw       |
| 25   | 9202 002937      | ZYL. SCHR.  | cyl. screw       |
| 26   | 0894 450368      | FAECHERSCHEIBE  | disc             |
| 27   | 9330 000087      | SCHEIBE   | disc             |
| 28   | 9231 000367      | 6KT. MUTTER   | hexagonal nut    |
| 29   | 9202 002093      | ZYL. SCHR.  | screw            |
| 30   | 0804 401980      | HALTER  | holder           |
| 31   | 9790 201001      | L-STECKNIPPEL V   | plug             |
| 32   | 0998 865000      | O-RING  | ring             |
| 33   | 0467 220313      | DUESENHALTER V  | nozzle holder    |
| 34   | 9731 005004      | SCHLAUCH  | hose             |

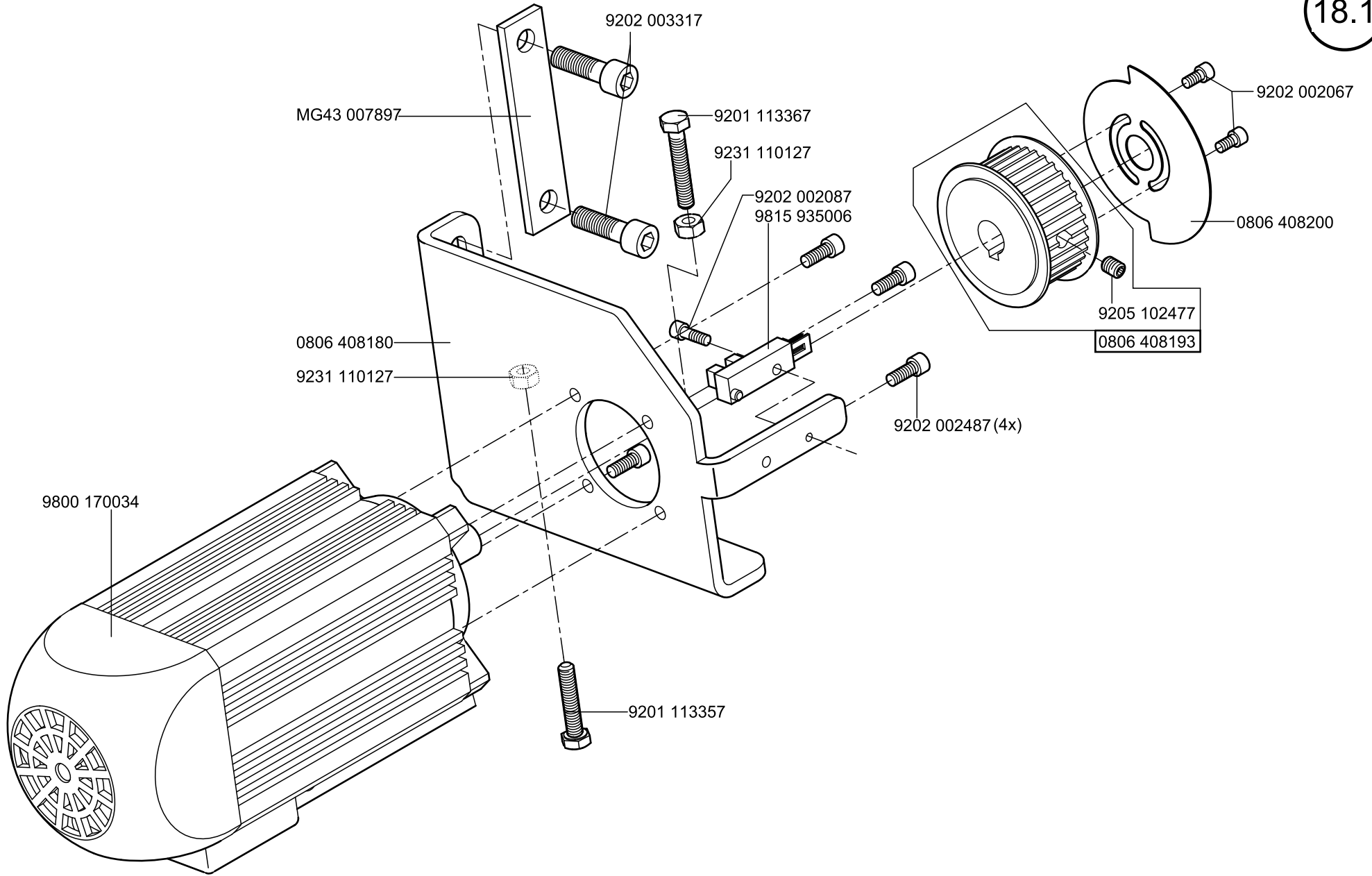
| Pos. | Teile-Nr.   | Benennung       | Denomination    |
|------|-------------|-----------------|-----------------|
| 35   | 9792 051010 | MUFFE           | bushing         |
| 36   | 0999 260036 | WIRBELST.KUEHL. | air cooler      |
| 37   | 9203 313697 | SENKSCHR.       | sunk screw      |
| 38   | 0999 240392 | WI-E-VERSCHR.   | coupling        |
| 39   | 0806 401390 | KEIL            | key             |
| 40   | 9203 313657 | SENKSCHR.       | sunk screw      |
| 41   | 0806 401380 | WINKELSCHIENE   | rail            |
| 42   | 9202 002887 | ZYL. SCHR.      | cyl. screw      |
| 43   | 9330 000107 | SCHEIBE         | disc            |
| 44   | 0806 401363 | STUETZE V       | support         |
| 45   | 9330 900127 | SCHEIBE         | disc            |
| 46   | 9201 113757 | 6KT. SCHR.      | hexagonal screw |
| 47   | 0806 402640 | KLOBEN          | block           |
| 48   | 9201 112507 | 6KT. SCHR.      | hexagonal screw |
| 49   | 9330 000087 | SCHEIBE         | disc            |
| 50   | 0999 202390 | SCHALTER        | switch          |

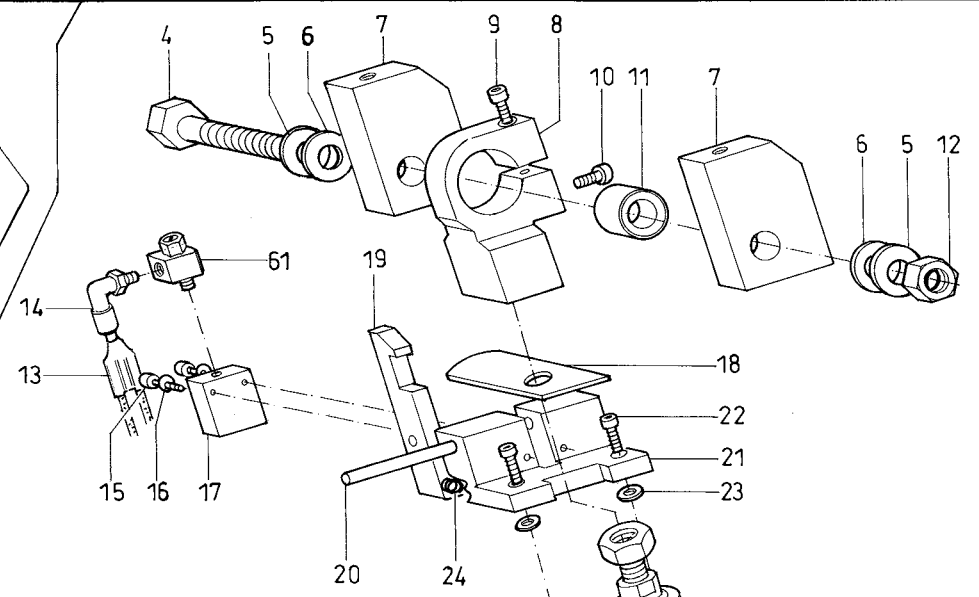
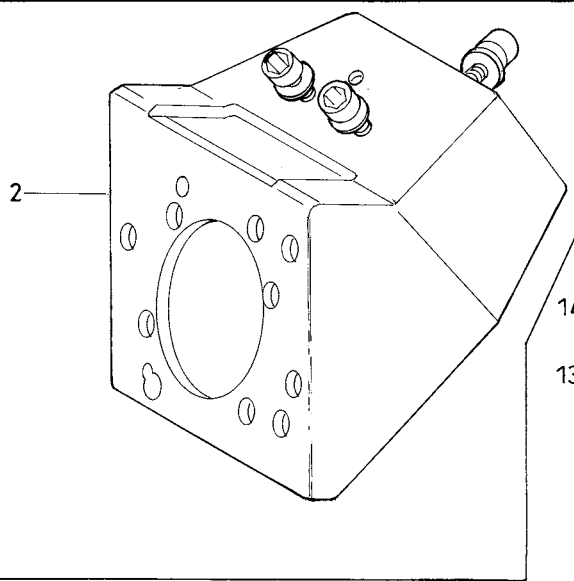




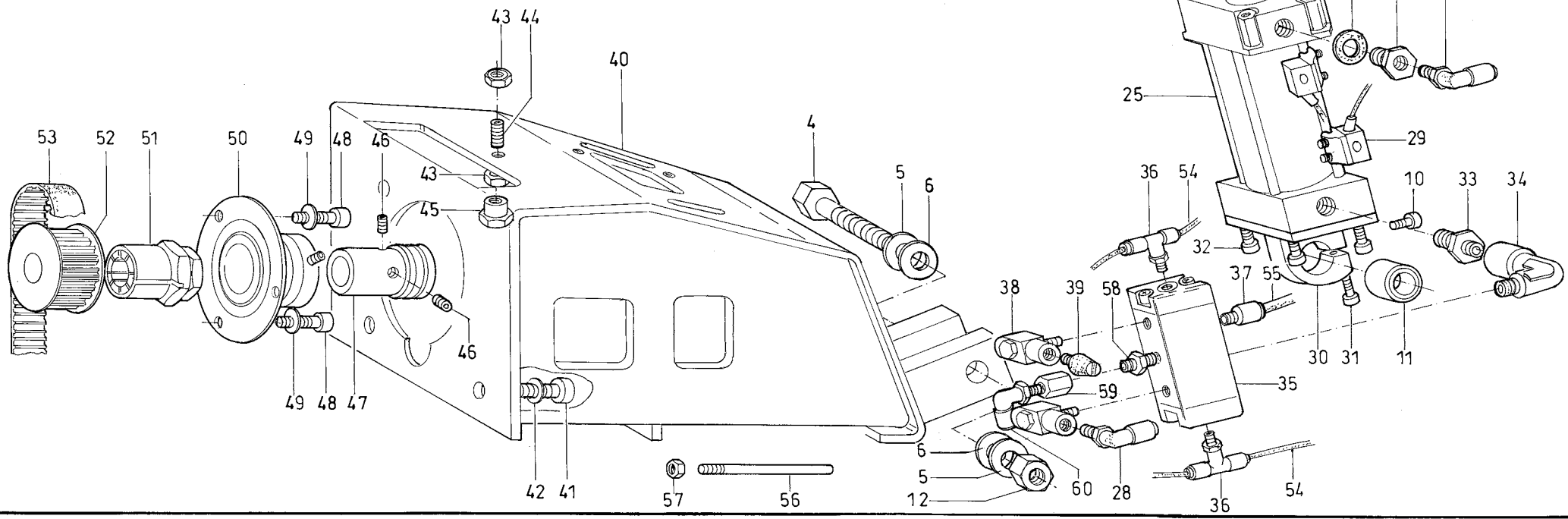
| Pos. | Teile-Nr.   | Benennung                 | Denomination                  |
|------|-------------|---------------------------|-------------------------------|
|      |             | GRUNDTYPE BASIS           | BASETYPE                      |
| 1    | 0806 400443 | LAGERSTREBE V             | junction bar                  |
| 2    | 0746 001416 | SCHRAUBE V                | screw                         |
| 3    | 9231 110137 | 6KT. MUTTER               | hexagonal nut                 |
| 4    | 9201 113757 | 6KT. SCHR.                | hexagonal screw               |
| 5    | 9330 000137 | SCHEIBE                   | disc                          |
| 6    | 9202 003787 | ZYL. SCHR.                | cyl. screw                    |
| 7    | 0806 400214 | ACHSE K<br>(MIT POS.8-17) | axle cpl.<br>(with pos. 8-17) |
| 8    | 9301 102243 | RGKPF. ZYL. STIFT         | pin                           |
| 9    | 0806 400240 | BUCHSE                    | bushing                       |
| 10   | 0806 400210 | ACHSE                     | axle                          |
| 11   | 9180 310361 | GUMMI-METAL BUCHSE        | bush                          |
| 12   | 0806 400250 | GEW. BUCHSE               | threaded bush                 |
| 13   | 0806 401820 | SCHEIBE                   | disc                          |
| 14   | 0806 400220 | DRUCKSCHEIBE              | thrust washer                 |
| 15   | MG41 004118 | DRUCKFEDER                | presser spring                |
| 16   | 0806 400230 | SCHEIBE                   | disc                          |
| 17   | 0267 002032 | RAENDELSTIFT              | knurled pin                   |
| 18   | 9706 000300 | GASFEDER                  | gas spring                    |
| 19   | 0806 400360 | GABEL                     | fork                          |
| 20   | 0794 000813 | BOLZEN                    | bolt, stud                    |
| 21   | 9330 000127 | SCHEIBE                   | disc                          |
| 22   | 9357 000090 | SICH. SCHEIBE             | fastennig disc                |
| 23   | 0806 400373 | LAGERSTREBE V             | junction bar                  |
| 24   | 9201 113797 | 6KT. SCHR.                | hexagonal screw               |
| 25   | 9201 113677 | 6KT. SCHR.                | hexagonal screw               |
| 26   | 9330 900127 | SCHEIBE                   | disc                          |
| 27   | 9201 113817 | 6KT. SCHR.                | hexagonal screw               |
| 28   | 9231 000397 | 6KT. MUTTER               | hexagonal nut                 |
| 29   | 0806 401340 | PLATTE                    | plate                         |
| 30   | 0806 400340 | ACHSE                     | axle                          |
| 31   | 9202 002517 | ZYL. SCHR.                | cyl. screw                    |
| 32   | 9180 310361 | GUMMI-METAL-BUCHSE        | bush                          |
| 33   | 0806 400404 | SCHWENKLAGER K.           | bearing cpl.                  |

| Pos. | Teile-Nr.     | Benennung        | Denomination    |
|------|---------------|------------------|-----------------|
| 33   |               | (MIT POS. 32)    | (with pos.32)   |
| 34   | 9330 000127   | SCHEIBE          | disc            |
| 35   | 9201 113757   | 6KT. SCHR.       | hexagonal screw |
| 36   | 9202 003407   | ZYL. SCHR.       | screw           |
| 37   | 0806 401960   | WINKEL           | angle           |
| 38   | 9330 000097   | SCHEIBE          | disc            |
| 39   | 9202 002537   | ZYL. SCHR.       | cyl. screw      |
| 40   | 0973 404933   | ZAHNRIEMENRAD    | belt pulley     |
| 41   | 9380 510200   | TELLERFEDER      | spring          |
| 42   | 0578 000880 A | SCHEIBE          | disc            |
| 43   | 9231 011147   | 6KT. MUTTER      | hexagonal nut   |
| 44   | 9202 003317   | ZYL. SCHR.       | cyl. screw      |
| 45   | MG43 007897   | LASCHE           | shackle         |
| 46   | 9231 110127   | 6KT. MUTTER      | hexagonal nut   |
| 47   | 9201 113368   | 6KT. SCHR.       | hexagonal screw |
| 48   | 9201 113357   | 6KT. SCHR.       | hexagonal screw |
| 49   | 9800 130011 R | NAEHANTRIEB      | motor           |
| 49   |               | (MIT POS. 58)    | (with pos. 58)  |
| 50   | 0570 000479   | ANSCHLAGWINKEL   | angle           |
| 51   | 9330 000107   | SCHEIBE          | disc            |
| 52   | 9231 110127   | 6KT. MUTTER      | hexagonal nut   |
| 53   | 0999 190245   | PLASTIKFLASCHE   | plastic bottle  |
| 54   | 9202 002887   | ZYL. SCHR.       | cyl. screw      |
| 55   | 9330 900117   | SCHEIBE          | disc            |
| 56   | 0806 402550   | PLATTE           | plate           |
| 57   | 9800 327003   | POSITIONSGEBER   | synchronizer    |
| 58   | 9800 331015   | NAEHANTRIEB O.S. | motor           |
| 59   | 9351 000087   | STELLRING        | adjustment ring |
| 60   | 0994 252047   | SCHEIBE          | washer          |



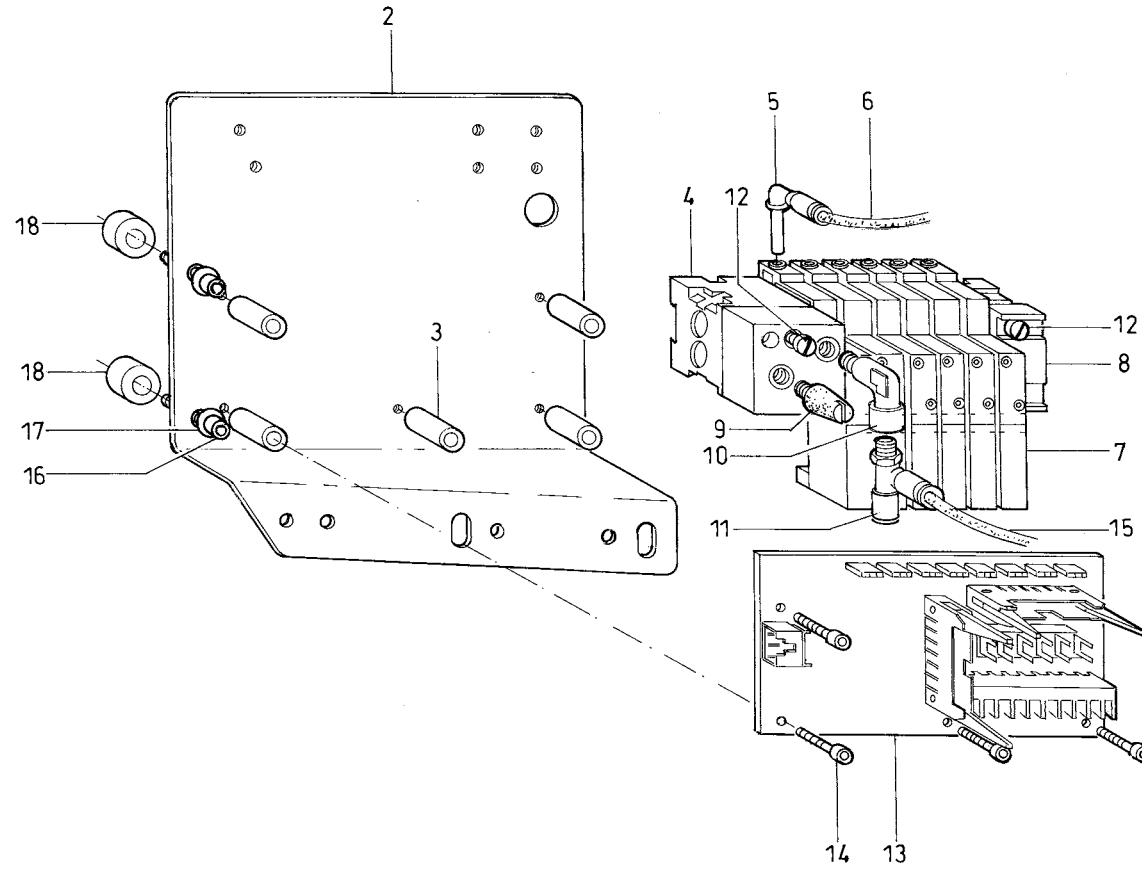


1



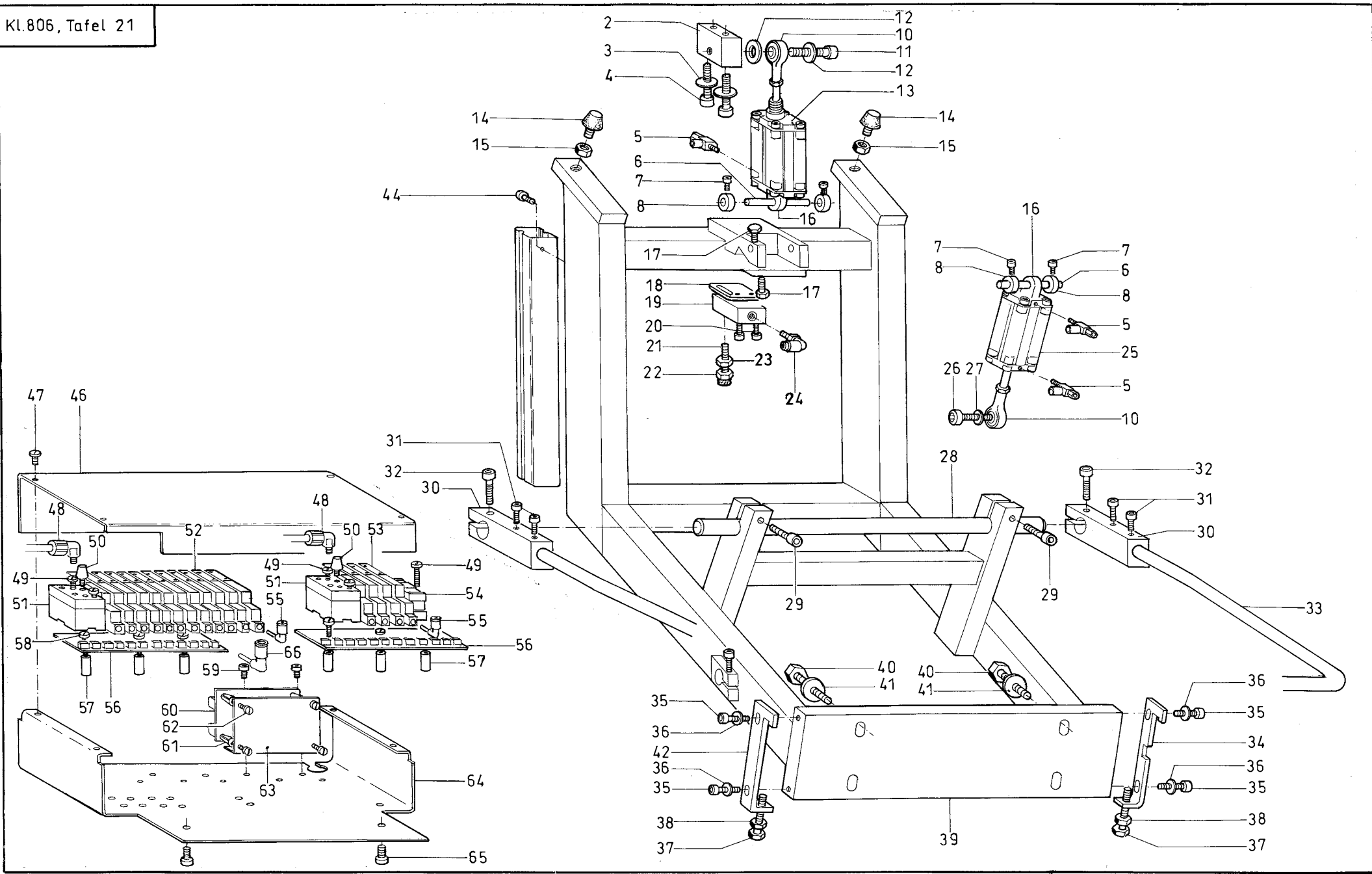
| Pos. | Teile-Nr.   | Benennung  | Denomination                          |
|------|-------------|--|---------------------------------------|
|      |             | NAEHSTATION KL. 806 - 111 / SEWING PLACE CL. 806 - 111 |                                       |
| 1    | 0806 437534 | NAEHSTATION K<br>(MIT POS.4-61)                        | sewing place cpl.<br>(with pos. 4-61) |
| 2    | 0806 400163 | LAGERWINKEL  | bearing angle                         |
| 4    | 0992 024848 | PASZSCHRAUBE   | screw                                 |
| 5    | 9334 002190 | PASZSCHEIBE  | washer                                |
| 6    | 9330 000147 | SCHEIBE  | disc                                  |
| 7    | 0806 400180 | KLOTZ  | block                                 |
| 8    | 0805 402000 | GELENKKOPF   | joint head                            |
| 9    | 9202 002927 | ZYL. SCHR.   | cyl. screw                            |
| 10   | 9202 002078 | ZYL. SCHR.   | cyl. screw                            |
| 11   | 0999 211012 | GELENKLAGER  | bearing                               |
| 12   | 9231 110127 | 6KT. MUTTER  | hexagonal nut                         |
| 13   | 0999 220764 | VENTIL   | valve                                 |
| 14   | 0999 240392 | WI-E-VERSCHR.  | coupling                              |
| 15   | 9203 003127 | ZYL .SCHR.   | cyl. screw                            |
| 16   | 9330 000067 | SCHEIBE  | disc                                  |
| 17   | 9700 101100 | ZYLINDER,EINF.   | cylinder                              |
| 18   | 0805 401230 | PLATTE   | plate                                 |
| 19   | 0805 401240 | SCHNAEPPER   | catch                                 |
| 20   | 9301 102531 | ZYL. STIFT   | cylinder pin                          |
| 21   | 0805 401220 | LAGERBOCK  | jack, support                         |
| 22   | 9202 003307 | ZYL. SCHR.   | cyl. screw                            |
| 23   | 9330 000127 | SCHEIBE  | disc                                  |
| 24   | 0396 110100 | DRUCKFEDER   | presser spring                        |
| 25   | 0999 220837 | ZYLINDER,DOPPEL  | cylinder,double                       |
| 26   | 9792 301140 | DICHTRING  | gasket ring                           |
| 27   | 9792 001040 | REDUZIERNIPPEL   | reducing nipple                       |
| 28   | 9790 201000 | VERSCHR.WI-E   | coupling                              |
| 29   | 9815 555024 | SCHALTER,MAGNET  | switch, magnet                        |
| 30   | 0805 402410 | SCHWENKLAGER   | pivot bearing                         |
| 31   | 9202 002927 | ZYL. SCHR.   | cyl. screw                            |
| 32   | 9202 003307 | ZYL. SCHR.   | cyl. screw                            |
| 33   | 0999 240303 | DOPPELNIPPEL   | double nipple                         |
| 34   | 9792 102000 | WI-STUECK  | coupling                              |

| Pos. | Teile-Nr.   | Benennung       | Denomination      |
|------|-------------|-----------------|-------------------|
| 35   | 9710 043020 | VENTIL,PNEUM.   | valve             |
| 36   | 0999 240386 | T-E -VERSCHR.   | coupling          |
| 37   | 9790 200000 | VERSCHR.GD-E    | coupling          |
| 38   | 9710 920022 | VENTIL,DROSSEL  | valve reactor     |
| 39   | 9710 982005 | SCHALLDAEMPFER  | sound absorber    |
| 40   | 0806 400313 | LAGERWINKEL V   | bearing angle     |
| 41   | 9202 002927 | ZYL. SCHR.      | cyl. screw        |
| 42   | 9330 000127 | SCHEIBE         | disc              |
| 43   | 9231 110127 | 6KT. MUTTER     | hexagonal nut     |
| 44   | 9205 102608 | GEW. STIFT      | threaded pin      |
| 45   | 0971 411940 | ANSATZMUTTER    | nut               |
| 46   | 9205 102473 | GEW. STIFT      | threaded pin      |
| 47   | 0806 400260 | BUCHSE          | bushing           |
| 48   | 9202 002887 | ZYL. SCHR.      | cyl. screw        |
| 49   | 9330 000107 | SCHEIBE         | disc              |
| 50   | 0999 210881 | FLANSCHLAGER    | flange bearing    |
| 51   | 9135 000002 | SPANNELEMENT K  | tension part cpl. |
| 52   | 0806 401833 | ZAHNRIEMENRAD V | belt pulley       |
| 53   | 9130 221021 | ZAHNRIEMEN      | timing belt       |
| 54   | 9731 005004 | SCHLAUCH        | hose              |
| 55   | 9731 006004 | SCHLAUCH        | hose              |
| 56   | N900 002275 | GEWINDEBOLZEN   | threaded bolt     |
| 57   | 9231 110057 | 6KT. MUTTER     | hexagonal nut     |
| 58   | 0999 240302 | DOPPELNIPPEL    | double nipple     |
| 59   | 9792 051010 | MUFFE           | sleeve, socket    |
| 60   | 0999 240392 | WI-E-VERSCHR.   | coupling          |
| 61   | 9790 102010 | T-SCHW.VERSCHR. | coupling          |



| Pos. | Teile-Nr.   | Benennung      | Denomination        |
|------|-------------|----------------|---------------------|
|      |             | VENTILEINHEIT  | VALVE UNIT          |
| 2    | 9751 000015 | WINKEL         | angle               |
| 3    | 9830 501025 | DISTANZHUELSE  | distance sleeve     |
| 4    | 9710 900012 | ANSCHLUSSBLOCK | fitting block       |
| 5    | 9790 060101 | VERBINDUNG     | connection          |
| 6    | 9731 005004 | SCHLAUCH       | hose                |
| 7    | 9710 061202 | VENTIL,MAGNET  | solenoid valve      |
| 8    | 9710 900013 | ABSCHLUSSBLOCK | fitting block       |
| 9    | 9710 982005 | SCHALLDAEMPFER | sound absorber      |
| 10   | 9792 102000 | WI-STUECK      | coupling            |
| 11   | 0999 240393 | T-ES-VERSCHR.  | coupling            |
| 12   | 9203 003167 | ZYL. SCHR.     | cyl. screw          |
| 13   | 9850 806006 | LEITERPLATTE K | printed board cpl.  |
| 14   | 9203 003727 | ZYL. SCHR.     | cyl. screw          |
| 15   | 9731 006004 | SCHLAUCH       | hose                |
| 16   | 9202 042907 | ZYL. SCHR.     | cyl. screw          |
| 17   | 9330 000107 | SCHEIBE        | disc                |
| 18   | 0996 120387 | STELLRING      | set-ring, adjusting |

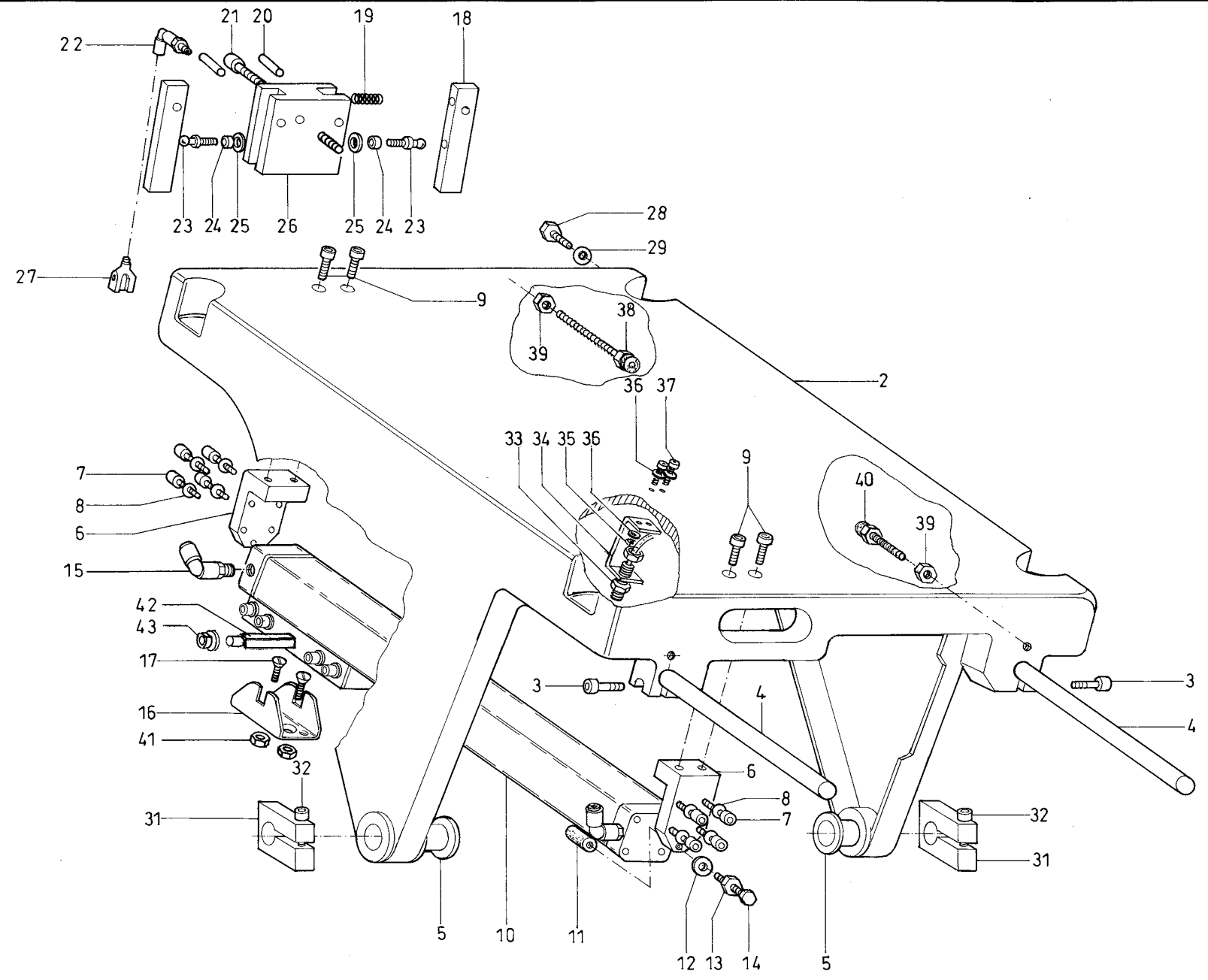
| Pos. | Teile-Nr. | Benennung | Denomination |
|------|-----------|-----------|--------------|
|------|-----------|-----------|--------------|



| Pos. | Teile-Nr.   | Benennung       | Denomination        |
|------|-------------|-----------------|---------------------|
|      |             | UMBUGSTATION    | FOLDING STATION     |
| 2    | 0806 410220 | AUFNAHME        | reception           |
| 3    | 9330 000137 | SCHEIBE         | disc                |
| 4    | 9201 114217 | 6KT. SCHR.      | hexagonal screw     |
| 5    | 9710 920012 | VENTIL,DROSSEL  | valve reactor       |
| 6    | 0219 062863 | STIFT           | pin                 |
| 7    | 9203 003967 | ZYL. SCHR.      | cyl. screw          |
| 8    | 0996 120407 | STELLRING       | set-ring, adjusting |
| 10   | 9700 900101 | GELENKKOPF      | joint head          |
| 11   | 9202 003747 | ZYL. SCHR.      | cyl. screw          |
| 12   | 9330 000137 | SCHEIBE         | disc                |
| 13   | 9700 212009 | ZYLINDER,DOPPEL | cylinder,double     |
| 14   | 0999 210689 | PUFFER          | buffer              |
| 15   | 9231 110127 | 6KT. MUTTER     | hexagonal nut       |
| 16   | 9700 900501 | SCHWENKFLANSCH  | flange              |
| 17   | 9201 112517 | 6KT. SCHR.      | hexagonal screw     |
| 18   | 0806 410300 | DISTANZPLATTE   | distance plate      |
| 19   | 9700 101200 | ZYLINDER,EINF.  | cylinder            |
| 20   | 9202 002487 | ZYL. SCHR.      | cyl. screw          |
| 21   | 0746 001416 | SCHRAUBE V      | screw               |
| 22   | 9231 000377 | 6KT. MUTTER     | hexagonal nut       |
| 23   | 9231 110137 | 6KT. MUTTER     | hexagonal nut       |
| 24   | 9792 102000 | WI-E-VERSCHR.   | coupling            |
| 25   | 9700 212008 | ZYLINDER,DOPPEL | cylinder,double     |
| 26   | 9202 003747 | ZYL. SCHR.      | cyl. screw          |
| 27   | 9330 000137 | SCHEIBE         | disc                |
| 28   | 0805 411100 | WELLE           | shaft               |
| 29   | 9202 003347 | ZYL. SCHR.      | cyl. screw          |
| 30   | 0806 410260 | BUEGEL          | bow                 |
| 31   | 9202 002477 | ZYL. SCHR.      | cyl. screw          |
| 32   | 9202 003327 | ZYL. SCHR.      | cyl. screw          |
| 33   | 0806 410260 | BUEGEL          | bow                 |
| 34   | 0806 410200 | HALTER          | holder              |
| 35   | 9202 003187 | ZYL. SCHR.      | cyl. screw          |
| 36   | 9330 000107 | SCHEIBE         | disc                |

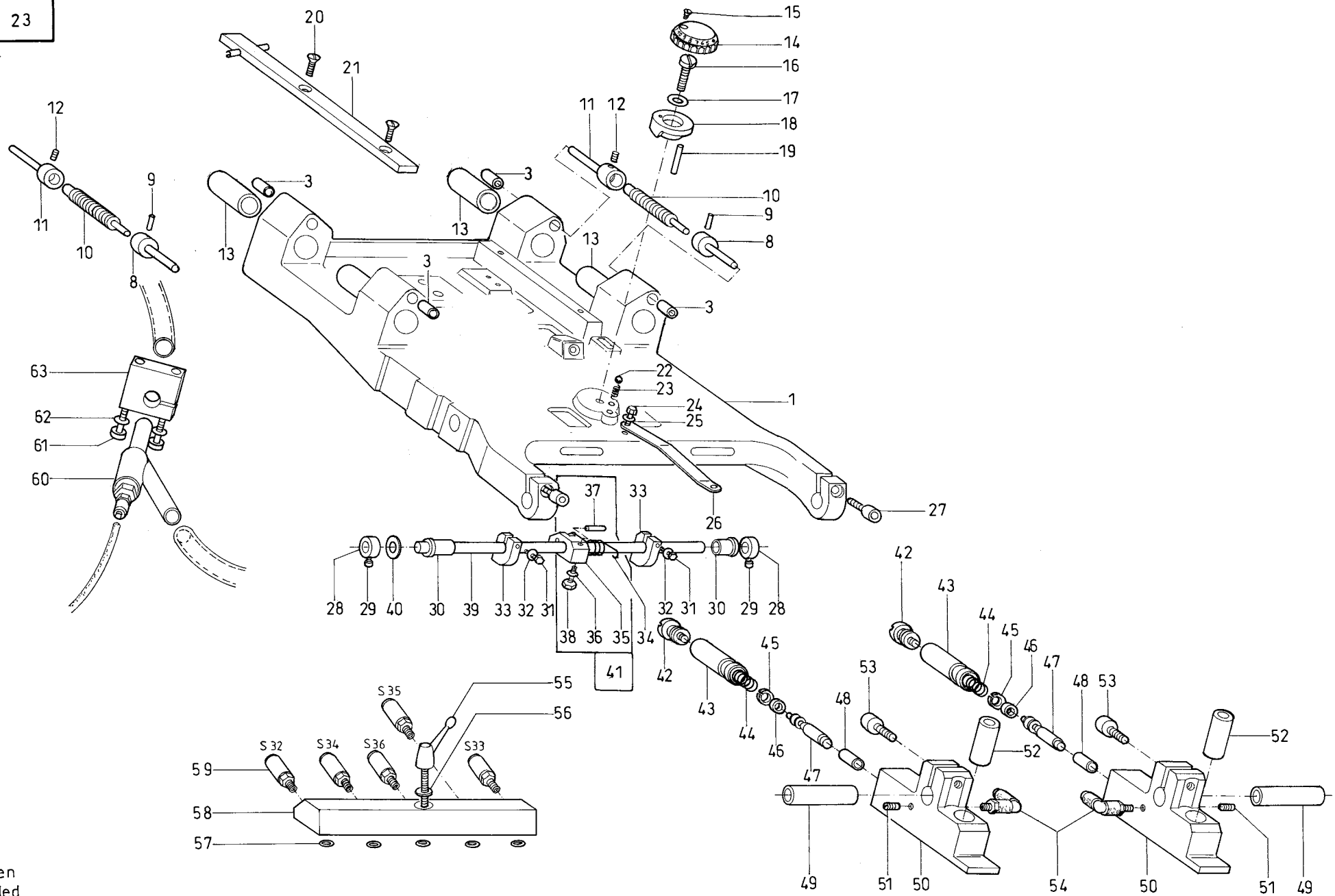
| Pos. | Teile-Nr.   | Benennung      | Denomination               |
|------|-------------|----------------|----------------------------|
| 37   | 9201 113337 | 6KT. SCHR.     | hexagonal screw            |
| 38   | 9231 000387 | 6KT. MUTTER    | hexagonal nut              |
| 39   | 0806 410063 | TRAEGER V      | carrier                    |
| 40   | 9202 003787 | ZYL. SCHR.     | cyl. screw                 |
| 41   | 9330 000137 | SCHEIBE        | disc                       |
| 42   | 0806 410190 | HALTER         | holder                     |
| 44   | 9203 123687 | FLACHKOPFSCHR. | screw                      |
| 46   | 9751 000009 | ABDECKUNG      | covering                   |
| 47   | 9203 003637 | ZYL. SCHR.     | cyl. screw                 |
| 48   | 0797 002302 | VERSCHRAUBUNG  | coupling                   |
| 49   | 9203 003167 | ZYL. SCHR.     | cyl.screw                  |
| 50   | 9710 982005 | SCHALLDAEMPFER | sound absorber             |
| 51   | 9710 900012 | ANSCHLUSSBLOCK | fitting block              |
| 52   | 9710 061212 | VENTIL,MAGNET  | solenoid valve             |
| 53   | 9710 061202 | VENTIL,MAGNET  | solenoid valve             |
| 54   | 9710 900013 | ANSCHLUSSBLOCK | fitting block              |
| 55   | 9790 060101 | VERBINDUNG     | connection                 |
| 56   | 9850 001016 | LEITERPLATTE K | printed circuit board cpl. |
| 57   | 9830 501025 | DISTANZHUELSE  | distance sleeve            |
| 58   | 9203 003727 | ZYL. SCHR.     | cyl. screw                 |
| 59   | 9203 003637 | ZYL. SCHR.     | cyl. screw                 |
| 60   | 9850 805006 | LEITERPLATTE K | printed circuit board cpl. |
| 61   | 9830 501003 | DISTANZBUCHSE  | distance bushing           |
| 62   | 9204 301357 | LINSENSCHR.    | screw                      |
| 63   | 9751 000010 | HALTER         | holder                     |
| 64   | 9751 000008 | VENTILHALTER   | ventil holder              |
| 65   | 9202 002887 | ZYL. SCHR.     | cyl. screw                 |
| 66   | 9790 060102 | VERBINDUNG     | connection                 |






| Pos. | Teile-Nr.   | Benennung       | Denomination      |
|------|-------------|-----------------|-------------------|
|      |             | UMBUGSTATION    | FOLDING STATION   |
| 2    | 0806 410010 | AUSSENHEBEL     | lever             |
| 3    | 9202 002937 | ZYL. SCHR.      | cyl. screw        |
| 4    | 0805 411110 | WELLE           | shaft             |
| 5    | 9126 200153 | GLEITLAGER      | slider bearing    |
| 6    | 0806 410230 | WINKEL          | angle             |
| 7    | 9202 002777 | ZYL. SCHR.      | cyl. screw        |
| 8    | 9330 000097 | SCHEIBE         | disc              |
| 9    | 9202 002897 | ZYL. SCHR.      | cyl. screw        |
| 10   | 9700 220005 | ZYLINDER,DOPPEL | cylinder,double   |
| 11   | 0805 410310 | ANSCHLAG        | guide             |
| 12   | 9330 000107 | SCHEIBE         | disc              |
| 13   | 9231 000387 | 6KT. MUTTER     | hexagonal nut     |
| 14   | 9201 113407 | 6KT. SCHR.      | hexagonal screw   |
| 15   | 0999 240392 | WI-E-VERSCHR.   | coupling          |
| 16   | 9700 900504 | PENDELBRUECKE   | bridge            |
| 17   | 9202 100558 | SENKSCHR.       | countersunk screw |
| 18   | 0805 411910 | LEISTE          | rail              |
| 19   | 0933 022537 | DRUCKFEDER      | presser spring    |
| 20   | 9301 102511 | ZYL. STIFT      | cylinder pin      |
| 21   | 9202 002927 | ZYL. SCHR.      | cyl. screw        |
| 22   | 9790 201000 | VERSCHR.WI-E    | coupling          |
| 23   | 0805 411920 | KOLBEN          | piston            |
| 24   | 0211 054074 | BUCHSE          | bushing           |
| 25   | 0211 054075 | DICHTRING       | gasket ring       |
| 26   | 0805 411930 | HALTER          | holder            |
| 27   | 0999 220764 | VENTIL          | valve             |
| 28   | 9201 113407 | 6KT. SCHR.      | hexagonal screw   |
| 29   | 9330 000107 | SCHEIBE         | disc              |
| 31   | 0804 410110 | KLEMMBOCK       | clamp bearer      |
| 32   | 9202 003347 | ZYL. SCHR.      | cyl. screw        |
| 33   | 0999 202390 | SCHALTER        | switch            |
| 34   | 0805 480010 | HALTER          | holder            |
| 35   | 9231 110058 | 6KT. MUTTER     | hexagonal nut     |
| 36   | 9330 000088 | SCHEIBE         | disc              |

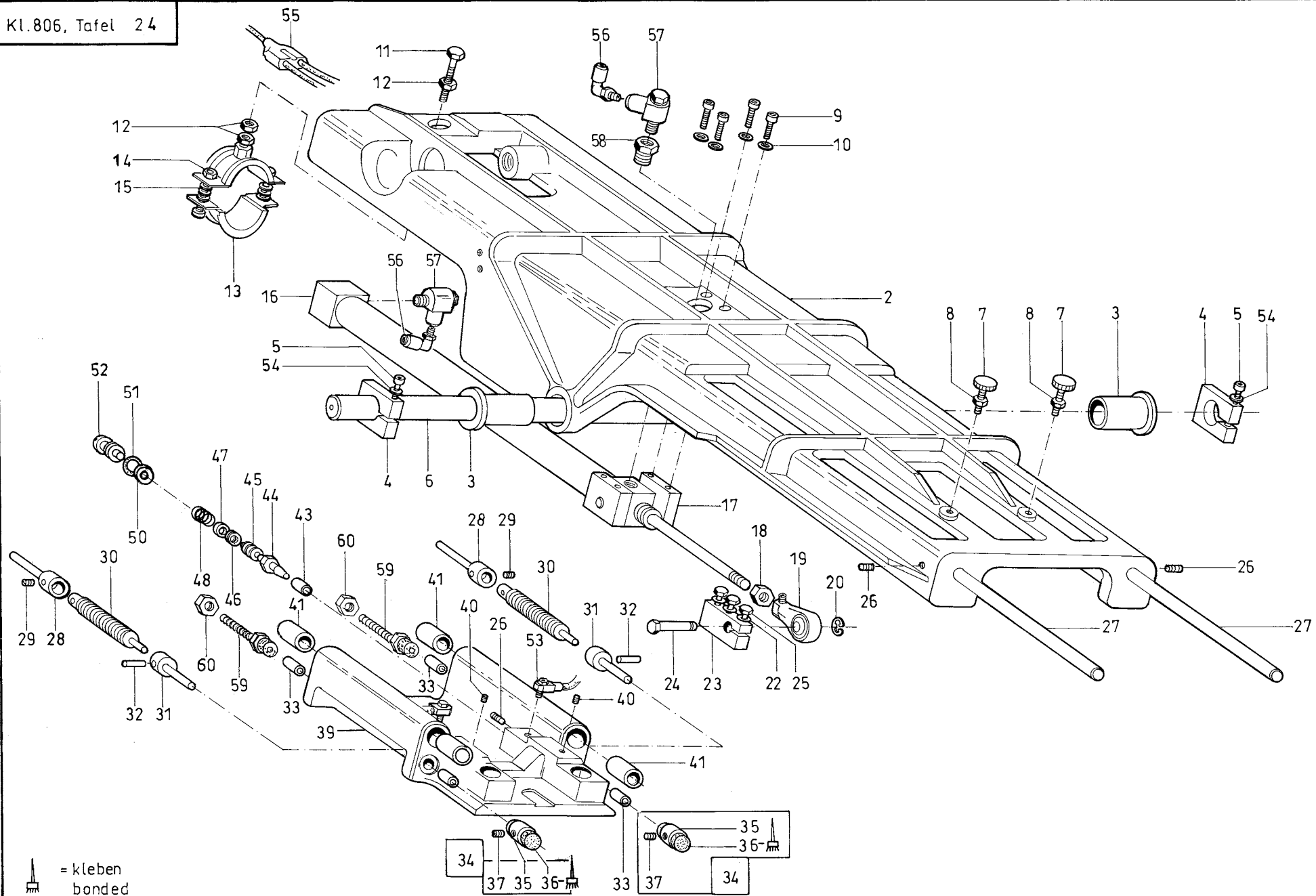
| Pos. | Teile-Nr.   | Benennung   | Denomination  |
|------|-------------|-------------|---------------|
| 37   | 9202 002087 | ZYL. SCHR.  | cyl. screw    |
| 38   | 0746 000822 | SCHRAUBE    | screw         |
| 39   | 9231 110137 | 6KT. MUTTER | hexagonal nut |
| 40   | 0746 001416 | SCHRAUBE    | screw         |
| 41   | 9231 110107 | 6KT. MUTTER | hexagonal nut |
| 42   | 9700 900505 | MITNEHMER   | driver        |
| 43   | 9700 900506 | BUCHSE      | bushing       |



 = kleben  
bonded

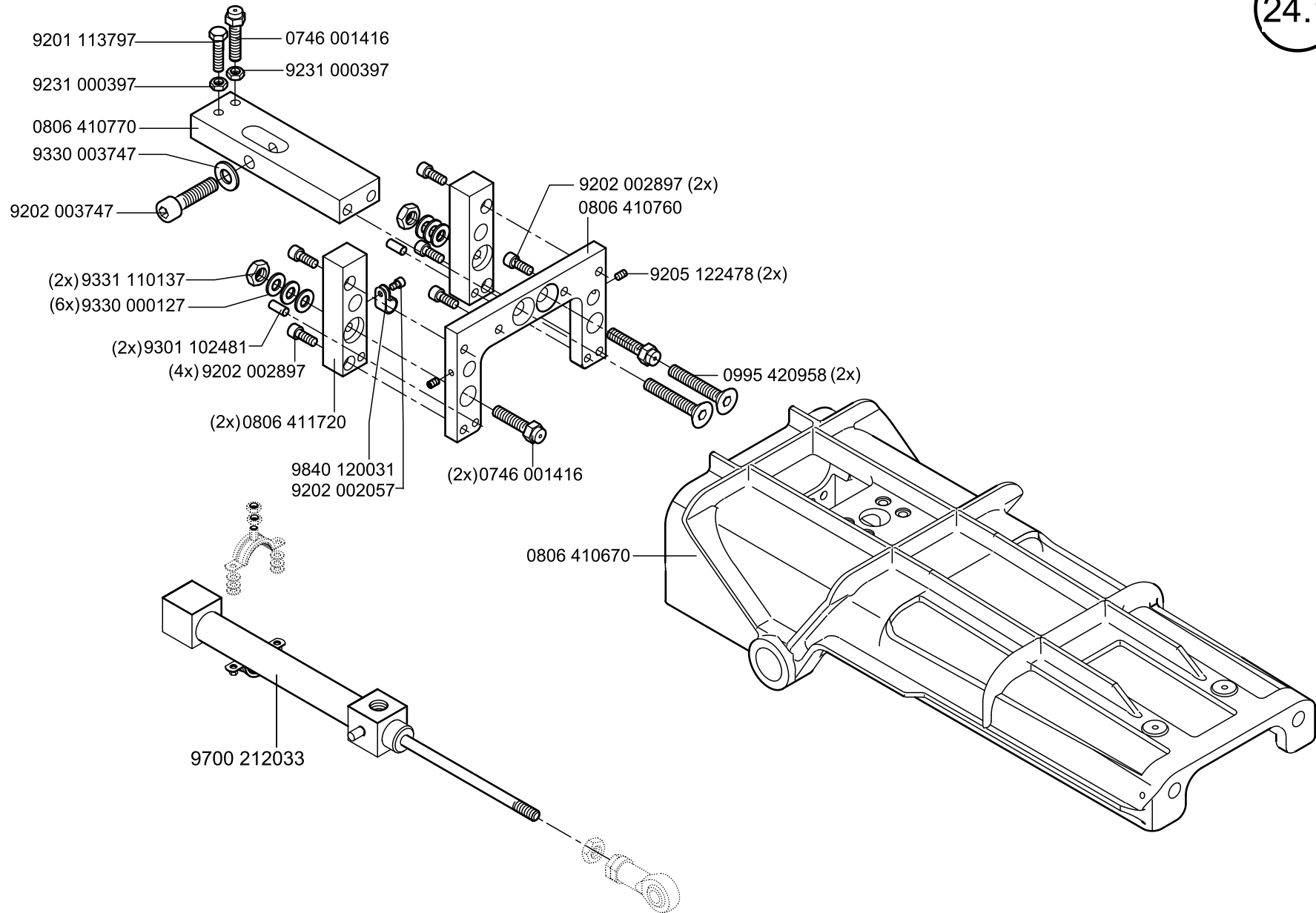
| Pos. | Teile-Nr.   | Benennung         | Denomination        |
|------|-------------|-------------------|---------------------|
|      |             | UMBUGSTATION      | FOLDING STATION     |
| 1    | 0805 410020 | SCHLITTEN         | carriage            |
| 2    | 0999 233528 | DICHTRING         | seal ring           |
| 3    | 9126 000080 | GLEITLAGER        | antifriction bearin |
| 8    | 0805 410180 | STOESSEL          | tappet              |
| 9    | 9305 000840 | SPANNSTIFT        | pin                 |
| 10   | 0999 211007 | STOSSDAEMPFER     | shock absorber      |
| 11   | 0805 410170 | STOESSEL          | tappet              |
| 12   | 0893 330700 | GEW. STIFT        | threaded pin        |
| 13   | 0999 230229 | KUGELHUELSE       | ball bush           |
| 14   | 0805 410130 | EINST. KNOPF      | reg button          |
| 15   | 9203 313047 | SENKSCHR.         | sunk screw          |
| 16   | 0993 991910 | FL. KOPFSCHR.     | screw               |
| 17   | 0998 881080 | PASZSCHEIBE       | washer              |
| 18   | 0568 340090 | EINST. SCHEIBE    | reg disc            |
| 19   | 0742 041349 | NADELROLLE        | needle roller       |
| 20   | 9203 313967 | SENKSCHR.         | sunk screw          |
| 21   | 0806 410240 | LEISTE            | rail                |
| 22   | 0996 060250 | KUGEL             | ball                |
| 23   | 0098 002990 | DRUCKFEDER        | presser spring      |
| 24   | 9202 002067 | ZYL. SCHR.        | cyl. screw          |
| 25   | 9330 000087 | SCHEIBE           | disc                |
| 26   | 0805 411190 | FEDERBLECH        | spring plate        |
| 27   | 9202 003317 | ZYL. SCHR.        | cyl. screw          |
| 28   | 0996 120427 | STELLRING         | set-ring, adjusting |
| 29   | 9202 002477 | ZYL. SCHR.        | cyl. screw          |
| 30   | 0026 100070 | SINTERLAGER       | sinter.bearing      |
| 31   | 9201 112507 | 6KT. SCHR.        | hexagonal screw     |
| 32   | 9330 000087 | SCHEIBE           | disc                |
| 33   | 0805 410150 | ANSCHLAG          | guide               |
| 34   | 0805 410160 | DREHFEDER         | spring              |
| 35   | 0805 410140 | KLOBEN            | block               |
| 36   | 9330 000097 | SCHEIBE           | disc                |
| 37   | 9301 102203 | RGKPF. ZYL. STIFT | pin                 |
| 38   | 9201 112897 | 6KT. SCHR.        | hexagonal screw     |

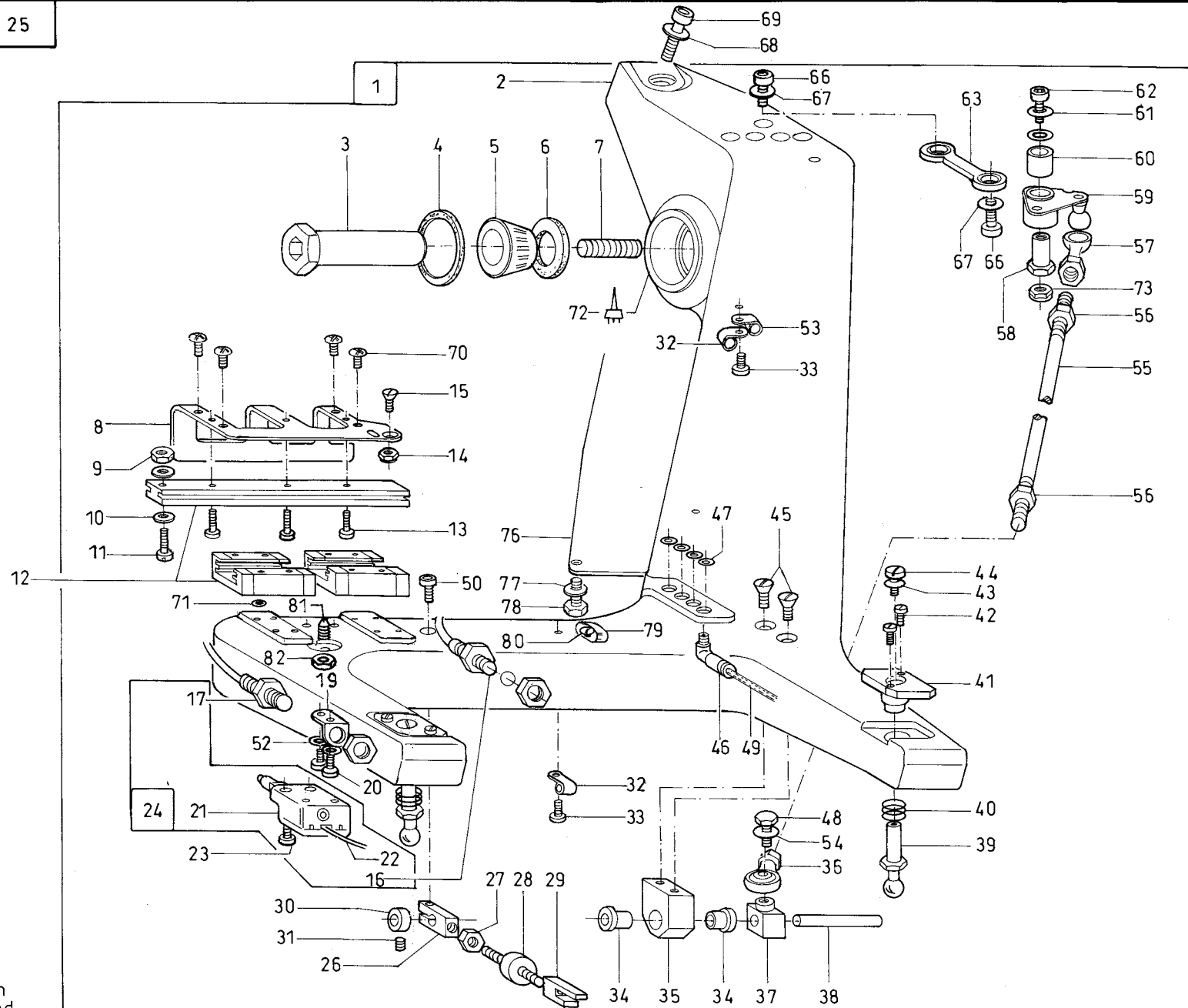
| Pos. | Teile-Nr.   | Benennung                   | Denomination               |
|------|-------------|-----------------------------|----------------------------|
| 39   | 0804 410520 | WELLE                       | shaft                      |
| 40   | 0998 881100 | PASZSCHEIBE                 | washer                     |
| 41   | 0805 410143 | KLOBEN V<br>(MIT POS.35-38) | block<br>(with pos. 35-38) |
| 42   | 0992 024698 | FL. KOPFSCHR.               | coutersunk screw           |
| 43   | 0805 410080 | BUCHSE                      | bushing                    |
| 44   | 0805 410220 | DRUCKFEDER                  | presser spring             |
| 45   | 0999 220817 | FUEHR. RING                 | guide ring                 |
| 46   | 9742 300100 | LIPPENRING                  | gasket                     |
| 47   | 0805 410090 | KOLBEN                      | piston                     |
| 48   | 9126 000080 | GLEITLAGER                  | antifriction bearing       |
| 49   | 0805 410110 | BUCHSE                      | bushing                    |
| 50   | 0805 410070 | BOCK                        | support                    |
| 51   | 9205 023920 | GEW. STIFT                  | threaded stud              |
| 52   | 0805 410290 | BUCHSE                      | bushing                    |
| 53   | 9202 003327 | ZYL. SCHR.                  | cyl. screw                 |
| 54   | 9790 201000 | VERSCHR.WI-E                | coupling                   |
| 55   | 0999 210925 | KLEMMHEBEL                  | clamping lever             |
| 56   | 0998 882050 | PASZSCHEIBE                 | washer                     |
| 57   | 0998 865000 | O-RING                      | ring                       |
| 58   | 0805 410300 | KUPPLUNG                    | coupler                    |
| 60   | 0578 020738 | INJEKTOR V                  | injector                   |
| 61   | 9330 000107 | SCHEIBE                     | disc                       |
| 62   | 9202 002967 | ZYL.SCHR.                   | cyl. screw                 |
| 63   | 0805 411180 | KLEMMBOCK                   | clamp bearer               |




| Pos. | Teile-Nr.   | Benennung                  | Denomination             |
|------|-------------|----------------------------|--------------------------|
|      |             | UMBUGSTATION               | FOLDING STATION          |
| 2    | 0806 410040 | INNENHEBEL                 | lever                    |
| 3    | 9126 200153 | SINTERLAGER                | sinter.bearing           |
| 4    | 0804 410110 | KLEMMBOCK                  | clamp bearer             |
| 5    | 9202 002527 | ZYL. SCHR.                 | cyl. screw               |
| 6    | 0805 411100 | WELLE                      | shaft                    |
| 7    | 9210 023377 | RAENDELSCHR.               | knurled screw            |
| 8    | 9231 000377 | 6KT. MUTTER                | hexagonal nut            |
| 9    | 9202 002927 | ZYL. SCHR.                 | cyl. screw               |
| 10   | 9330 000107 | SCHEIBE                    | disc                     |
| 11   | 9201 113797 | 6KT. SCHR.                 | hexagonal screw          |
| 12   | 9231 000397 | 6KT. MUTTER                | hexagonal nut            |
| 13   | 9840 120100 | ROHRSCHELLE                | clamp                    |
| 14   | 9231 110127 | 6KT. MUTTER                | hexagonal nut            |
| 15   | 9330 000107 | SCHEIBE                    | disc                     |
| 16   | 9700 212010 | ZYLINDER,DOPPEL            | cylinder,double          |
| 17   | 0805 410253 | LAGERBOCK V                | pillow block             |
| 18   | 9231 000397 | 6KT. MUTTER                | hexagonal nut            |
| 19   | 0999 210205 | GELENKSTG.KOPF             | joint head               |
| 20   | 9357 000090 | SICH. SCHEIBE              | fastennig disc           |
| 22   | 9330 000097 | SCHEIBE                    | disc                     |
| 23   | 0805 410240 | KLEMMBOCK                  | clamp bearer             |
| 24   | 0805 410230 | EXZENTER                   | eccentric                |
| 25   | 9201 112897 | 6KT. SCHR.                 | hexagonal screw          |
| 26   | 9205 162188 | GEW. STIFT                 | threaded pin             |
| 27   | 0805 411120 | WELLE                      | shaft                    |
| 28   | 0805 410190 | STOESSEL                   | tappet                   |
| 29   | 0893 330700 | GEW. STIFT                 | threaded pin             |
| 30   | 0999 211002 | STOSSDAEMPFER              | shock absorber           |
| 31   | 0805 410200 | STOESSEL                   | tappet                   |
| 32   | 9305 000840 | SPANNSTIFT                 | pin                      |
| 33   | 9126 000080 | GLEITLAGER                 | antifriction bearing     |
| 34   | 0805 410213 | KAPPE V<br>(MIT POS.35-37) | cap<br>(with pos. 35-37) |
| 35   | 0805 410213 | KAPPE                      | cap                      |

| Pos. | Teile-Nr.     | Benennung       | Denomination        |
|------|---------------|-----------------|---------------------|
| 36   | 0244 014621   | STOPFEN         | plug                |
| 37   | 0893 330700   | GEW. STIFT      | threaded pin        |
| 39   | 0805 410053   | SCHLITTEN       | carriage            |
| 40   | 0993 520740   | GEW. STIFT      | threaded pin        |
| 41   | 0999 230209   | KUGELHUELSE     | ball bush           |
| 43   | 9126 000095   | GLEITLAGER      | antifriction bearin |
| 44   | 0797 002017   | SCHLAUCHTUELLE  | hose socket         |
| 45   | 0805 410090   | KOLBEN          | piston              |
| 46   | 9742 300100   | LIPPENRING      | gasket              |
| 47   | 0999 220817   | FUEHR. RING     | guide ring          |
| 48   | 0805 410220   | DRUCKFEDER      | presser spring      |
| 50   | 0238 017117 A | DICHTUNG        | gasket              |
| 51   | 0998 860960   | O-RING          | ring                |
| 52   | 0992 024698   | FL. KOPFSCHR.   | countersunk screw   |
| 53   | 9790 101010   | L-SCHW.VERSCHR. | pivot coupling      |
| 54   | 9330 000097   | SCHEIBE         | disc                |
| 55   | 0999 240408   | Y-STECKANSCHL.  | connection          |
| 56   | 9790 201001   | WI-E -VERSCHR.  | coupling            |
| 57   | 9710 920022   | VENTIL;DROSSEL  | valve reactor       |
| 58   | 9792 001040   | REDUZIERNIPPEL  | reducing nipple     |
| 59   | 0746 001416   | SCHRAUBE        | screw hexagonal     |
| 60   | 9231 110137   | 6KT. MUTTER     | nut                 |
| 61   | 9815 555051   | BEFESTIGUNG     | fixing              |



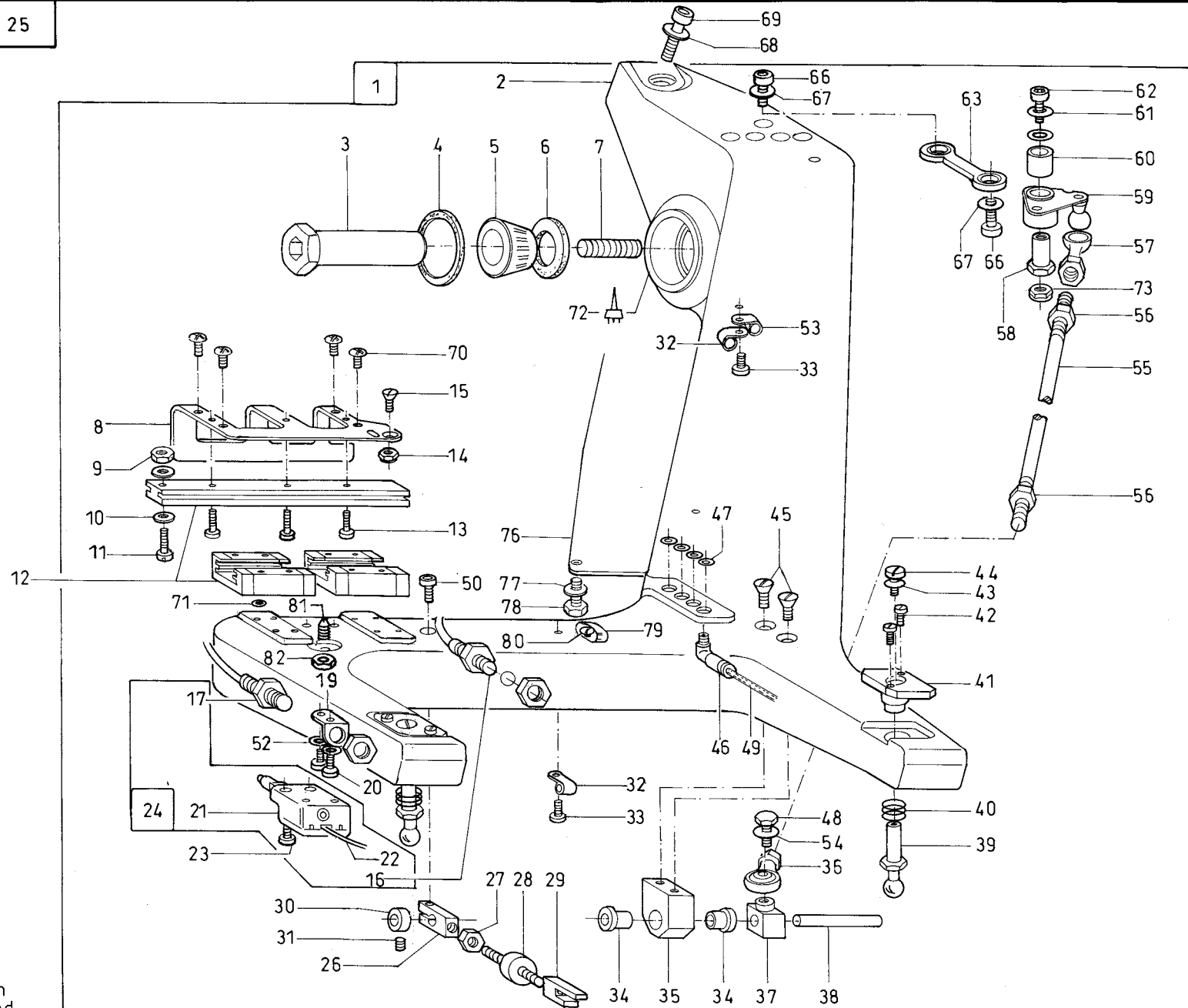



 = kleben  
bonded



| Pos. | Teile-Nr.   | Benennung                                      | Denomination                                       |
|------|-------------|--|--|
|      |             | GRUNDTYPE BASIS                                | BASETYPE   |
| 1    | 0806 400054 | HEBEL K.<br>(MIT POS.2-11,13-63, 65-67, 70-75) | lever cpl.<br>(with pos. 2-11,13-63, 65-67, 70-75) |
| 2    | 0806 400050 | HEBEL  | lever  |
| 3    | 0806 401760 | LAGERBOLZEN                                    | bearing bolt                                       |
| 4    | 9745 000220 | DICHTRING                                      | gasket ring  |
| 5    | 0996 760500 | KEGELROLLLAGER                                 | bearing  |
| 6    | 0999 230518 | DICHTRING                                      | gasket ring  |
| 7    | 9205 102927 | GEW. STIFT                                     | threaded pin                                       |
| 8    | 0806 401970 | WINKEL   | angle  |
| 9    | 9231 110037 | 6KT. MUTTER                                    | hexagonal nut                                      |
| 10   | 0211 003058 | SCHEIBE  | disc   |
| 11   | 9203 003057 | ZYL. SCHR.                                     | cyl. screw   |
| 12   | 9150 010082 | LINEARFUEHRUNG                                 | guide  |
| 13   | 9203 003037 | ZYL. SCHR.                                     | cyl. screw   |
| 14   | 9234 000067 | 6KT. MUTTER                                    | hexagonal nut                                      |
| 15   | 9203 313657 | SENKSCHR.                                      | sunk screw   |
| 16   | 9815 710100 | INDUKTIVGEBER                                  | proximity switch                                   |
| 17   | 0999 202390 | SCHALTER                                       | switch   |
| 19   | 0805 480210 | WINKEL   | angle  |
| 20   | 9204 201678 | LINSENSCHR.                                    | screw  |
| 21   | 0798 423106 | GRENZTASTER                                    | limit sensor                                       |
| 22   | 9840 302003 | LEITUNG  | cable  |
| 23   | 9203 003707 | ZYL. SCHR.                                     | screw  |
| 24   | 9870 806011 | LEITUNGSSATZ K<br>(MIT POS.16,17,21,22)        | cable set cpl.<br>(with pos. 16,17,21,22)          |
| 26   | 0806 401770 | KLOBEN   | block  |
| 27   | 9231 110057 | 6KT. MUTTER                                    | hexagonal nut                                      |
| 28   | 0999 210729 | PUFFER A                                       | buffer   |
| 29   | 0806 401780 | RACHENSTUECK                                   | part   |
| 30   | 0211 000187 | STELLRING                                      | set-ring, adjusting                                |
| 31   | 9205 101848 | GEW. STIFT                                     | threaded pin                                       |
| 32   | 9840 120027 | BEF. SCHELLE                                   | clamp  |
| 33   | 9203 123687 | FLACHKOPFSCHR.                                 | countersunk screw                                  |
| 34   | 0558 006069 | BUCHSE   | bushing  |

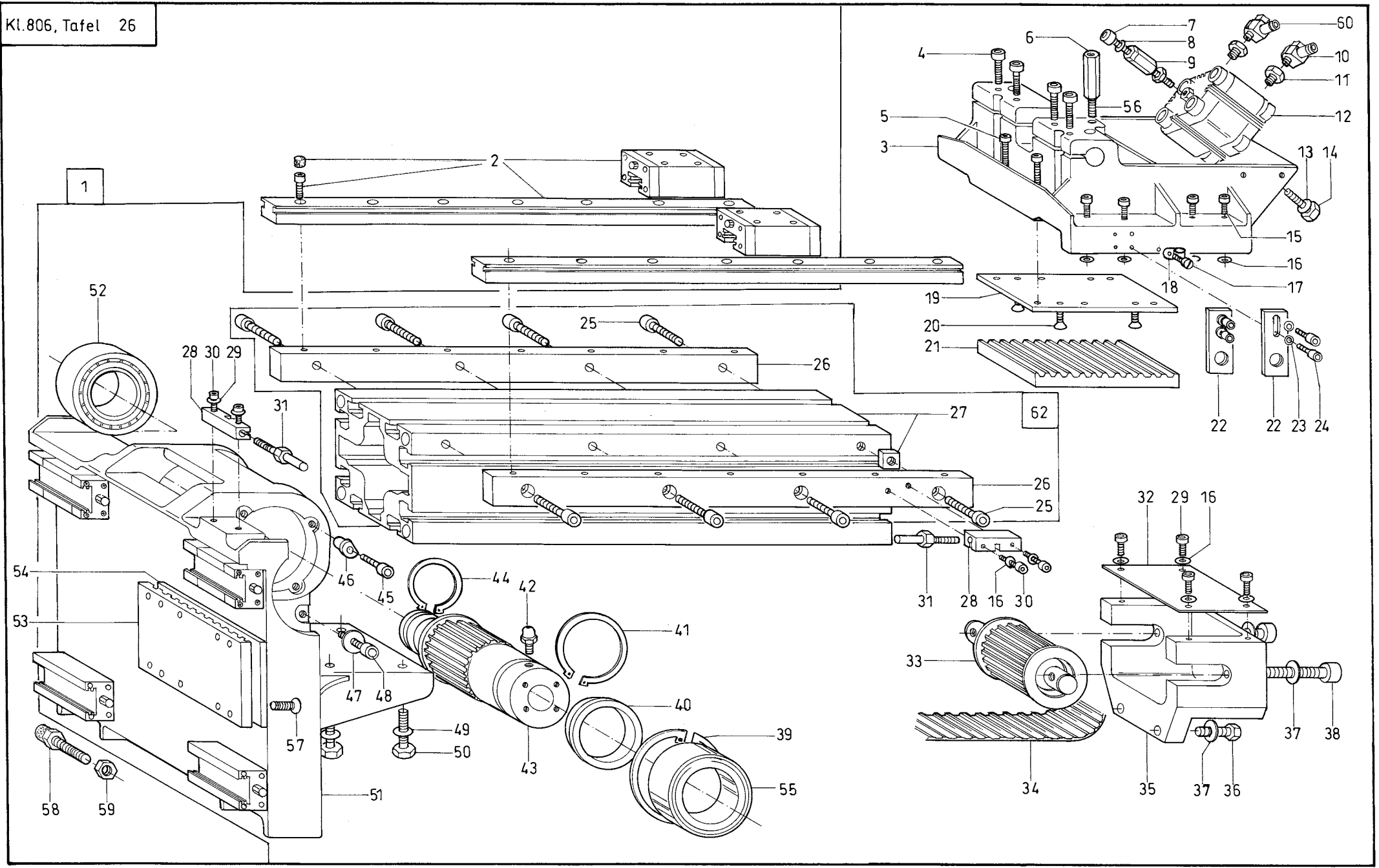
| Pos. | Teile-Nr.   | Benennung       | Denomination      |
|------|-------------|-----------------|-------------------|
| 35   | 0806 401680 | LAGERBOCK       | jack, support     |
| 36   | 0999 210956 | GELENKSTG. KOPF | joint head        |
| 37   | 0806 401750 | KLOTZ           | log               |
| 38   | 0556 000545 | ACHSE           | axle              |
| 39   | 0806 401730 | KUGELZAPFEN     | ball pivot        |
| 40   | 0806 402630 | DRUCKFEDER      | presser spring    |
| 41   | 0806 401740 | FLANSCHBUCHSE   | bush              |
| 42   | 9203 003668 | ZYL. SCHR.      | cyl. screw        |
| 43   | 9330 200098 | SCHEIBE         | disc              |
| 44   | 9203 123687 | FLACHKOPFSCHR.  | screw             |
| 45   | 9204 002397 | SENKSCHR.       | countersunk screw |
| 46   | 9790 201000 | VERSCHR.WI-E    | coupling          |
| 47   | 0998 865000 | O-RING          | ring              |
| 48   | 9201 112877 | 6KT. SCHR.      | hexagonal screw   |
| 49   | 9731 005004 | SCHLAUCH        | hose              |
| 50   | 9202 002087 | ZYL. SCHR.      | cyl. screw        |
| 52   | 9330 000088 | SCHEIBE         | disc              |
| 53   | 9840 120030 | BEF. SCHELLE    | clamp             |
| 54   | 9330 000097 | SCHEIBE         | disc              |
| 55   | 0806 411710 | GEW. STANGE     | threaded shaft    |
| 56   | 9231 110107 | 6KT. MUTTER     | hexagonal nut     |
| 57   | 9357 200102 | KUGELPFANNE     | ball-socket       |
| 58   | 0806 401810 | ANSATZMUTTER    | shoulder nut      |
| 59   | 0806 401803 | HEBEL V         | lever             |
| 60   | 9126 000530 | GLEITLAGER      | bushing           |
| 61   | 0998 882100 | PASZSCHEIBE     | washer            |
| 62   | 9202 002938 | ZYL. SCHR.      | cyl. screw        |
| 63   | 0806 401724 | GELENK K        | joint             |
| 66   | 9204 202328 | LINSENSCHR.     | screw             |
| 67   | 9330 900117 | SCHEIBE         | disc              |
| 70   | 0933 006268 | SCHRAUBE        | screw             |
| 71   | 9330 000077 | SCHEIBE         | disc              |
| 72   | 0806 401690 | LAGERSCHALE     | pillow            |
| 73   | 9234 000087 | 6KT. MUTTER     | hexagonal nut     |
| 76   | 0806 402590 | PLATTE          | plate             |
| 77   | 9201 112867 | 6KT. SCHR.      | hexagonal screw   |
| 78   | 9330 000097 | SCHEIBE         | disc              |



 = kleben  
bonded

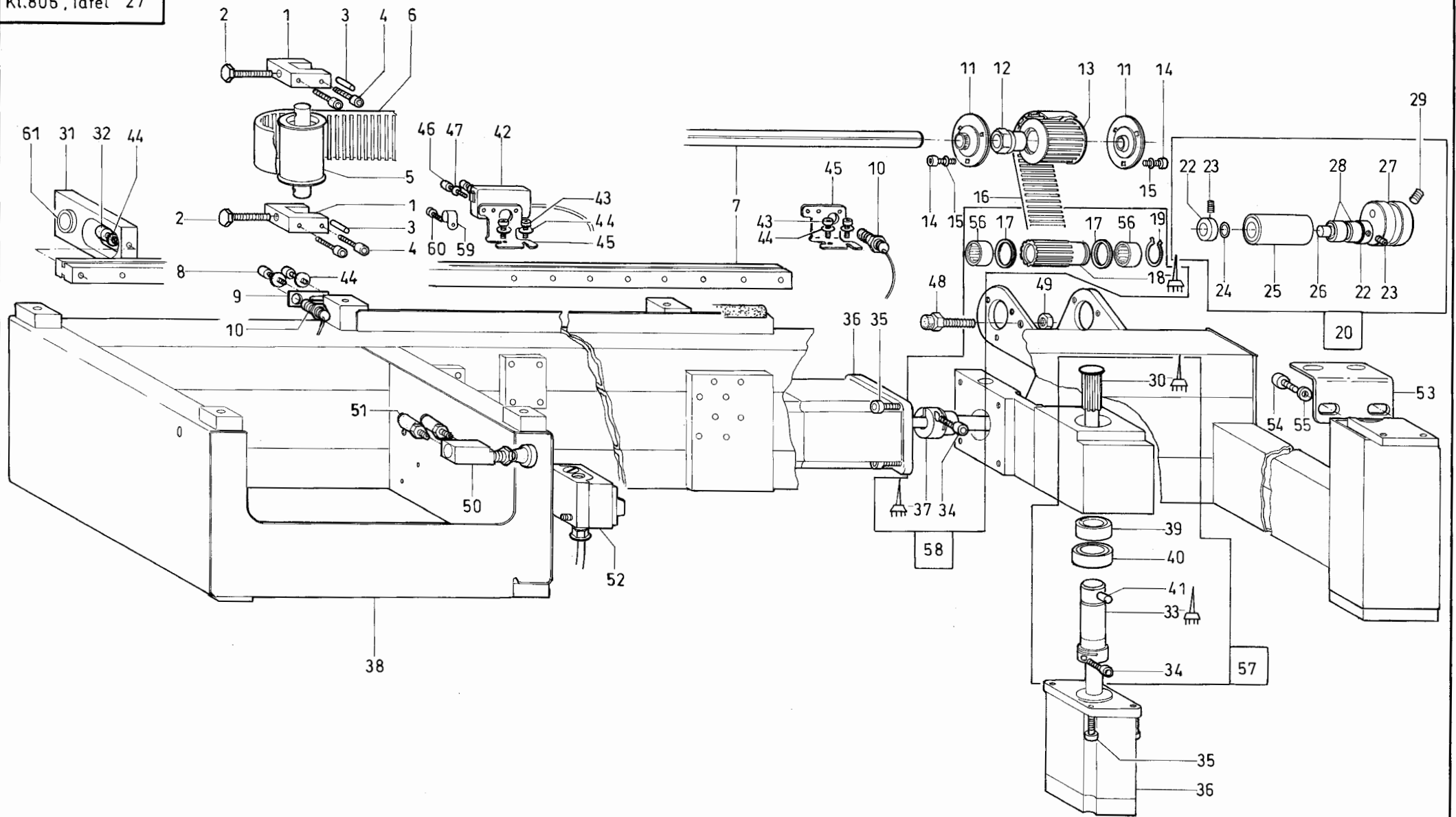
| Pos. | Teile-Nr.   | Benennung       | Denomination  |
|------|-------------|-----------------|---------------|
| 79   | 9840 120050 | KABELHALTER     | cablE holder  |
| 80   | 0219 000353 | LINSENSCHR.     | screw         |
| 81   | 9400 000100 | FED. DRUCKSTIFT | pressure pin  |
| 82   | 9231 000407 | 6KT. MUTTER     | hexagonal nut |


| Pos. | Teile-Nr. | Benennung | Denomination |
|------|-----------|-----------|--------------|
|------|-----------|-----------|--------------|



| Pos. | Teile-Nr.   | Benennung   | Denomination   |
|------|-------------|---|--|
|      |             | GRUNDTYPE BASIS                                       | BASETYPE   |
| 1    | 0806 400034 | X-SCHLITTEN K (KL. 806 - 111, -121)<br>(MIT POS.3-52) | sledge cpl. (cl. 806 - 111,-121)<br>(with pos. 3-52) |
| 1    | 0806 402734 | X- SCHLITTEN K. (KL. 806 - 521)<br>(MIT POS. 3-52)    | sledge cpl. (cl. 806 - 521)<br>(with pos. 3-52)      |
| 2    | 9150 010082 | LINEARFUEHRUNG  | guide  |
| 3    | 0806 400040 | Y-SCHLITTEN   | sledge   |
| 4    | 9202 002927 | ZYL. SCHR.  | cyl. screw   |
| 5    | 9202 002527 | ZYL. SCHR.  | cyl. screw   |
| 6    | 0744 020333 | MUTTER  | nut  |
| 7    | 9202 002907 | ZYL. SCHR.  | cyl. screw   |
| 8    | 0998 882100 | PASZSCHEIBE   | washer   |
| 9    | 9700 900201 | KUPPLUNG,FLEXO  | clutch   |
| 10   | 9710 920013 | VENTIL, DROSSEL                                       | valve reactor  |
| 11   | 9792 001030 | REDUZIERNIPPEL  | reducing nipple                                      |
| 12   | 9700 212011 | ZYLINDER  | cylinder   |
| 13   | 9330 000107 | SCHEIBE   | disc   |
| 14   | 9201 113337 | 6KT. SCHR.  | hexagonal screw                                      |
| 15   | 9202 002378 | ZYL. SCHR.  | cyl. screw   |
| 16   | 9330 000097 | SCHEIBE   | disc   |
| 17   | 9204 201668 | LINSENSCHR.   | screw  |
| 18   | 9840 120025 | BEF. SCHELLE  | clamp  |
| 19   | 0806 400530 | PLATTE  | plate  |
| 20   | 9203 313997 | SENKSCHR.   | sunk screw   |
| 21   | 0806 400520 | KLEMMPLATTE   | clamping plate                                       |
| 22   | 0805 480020 | PLATTE  | plate  |
| 23   | 9330 000087 | SCHEIBE   | disc   |
| 24   | 9202 002077 | ZYL. SCHR.  | cyl. screw   |
| 25   | 9202 002897 | ZYL. SCHR.  | cyl. screw   |
| 26   | 0806 400540 | LEISTE  | rail   |
| 27   | 0806 400663 | STREBENPROFIL V ( 806-111, 121)                       | prop profile (cl. 806-111, 121)                      |
| 27   | 0806 405060 | STREBENPROFIL V (KL. 805 - 521)                       | prop profile (cl. 806 - 521)                         |
| 28   | 0977 400250 | STELLKLOTZ  | log  |

| Pos. | Teile-Nr.   | Benennung           | Denomination         |
|------|-------------|---------------------|----------------------|
| 29   | 9330 000087 | SCHEIBE             | disc                 |
| 30   | 9202 002077 | ZYL. SCHR.          | cyl. screw           |
| 31   | 0977 400580 | GEW. BOLZEN         | threaded bolt        |
| 32   | 0806 400510 | PLATTE              | plate                |
| 33   | 0806 400554 | SPANNSCHEIBE K      | washer cpl.          |
| 34   | 9130 255012 | ZAHNRIEMEN          | timing belt          |
| 35   | 0806 400500 | LAGERBOCK           | jack, support        |
| 36   | 9201 113737 | 6KT. SCHR.          | hexagonal screw      |
| 37   | 9330 000127 | SCHEIBE             | disc                 |
| 38   | 9202 003387 | ZYL. SCHR.          | cyl. screw           |
| 39   | 9353 000490 | SICH. RING          | retainer ring        |
| 40   | 0806 400580 | RING                | ring                 |
| 41   | 9352 000330 | SICH. RING          | retainer ring        |
| 42   | 0996 051300 | KUGELSCHM.KOPF      | head                 |
| 43   | 0806 400650 | ZAHNRIEMENRAD       | belt pulley retainer |
| 44   | 9352 000350 | SICH. RING          | ring                 |
| 45   | 9202 002077 | ZYL.SCHR.           | cyl. screw           |
| 46   | 0999 202494 | SERVOKLAMMER        | clamp                |
| 47   | 9330 900117 | SCHEIBE             | disc                 |
| 48   | 9202 002887 | ZYL. SCHR.          | cyl. screw           |
| 49   | 9201 113737 | 6KT. SCHR.          | hexagonal screw      |
| 50   | 9330 000127 | SCHEIBE             | disc                 |
| 51   | 0806 400030 | X-SCHLITTEN         | sledge               |
| 52   | 9120 030350 | RILLENKUGELLAGER    | ball bearing         |
| 53   | 0806 400520 | KLEMMPLATTE         | clamping plate       |
| 54   | 0806 400530 | PLATTE              | plate                |
| 55   | 9120 030160 | RILLENKUGELLAGER    | ball bearing         |
| 56   | 9205 102558 | GEW. STIFT          | threaded pin         |
| 57   | 9203 313997 | SENKSCHR.           | countersunk screw    |
| 58   | 0746 001416 | SCHRAUBE V          | screw                |
| 59   | 9231 110137 | 6KT. MUTTER         | hexagonal nut        |
| 60   | 9710 920012 | VENTIL,DROSSEL      | valve reactor        |
| 61   | 9815 555001 | MAGNETSCHALTER      | solenoid switch      |
| 62   | 0806 405064 | STREBENPROFIL       | junction bar,        |
| 62   |             | (MIT POS. 25-27)    | (with pos. 25-27)    |
|      |             | (KI. 806-521, 806N) | (Cl. 806-521, 806N)  |



 = kleben / bonded

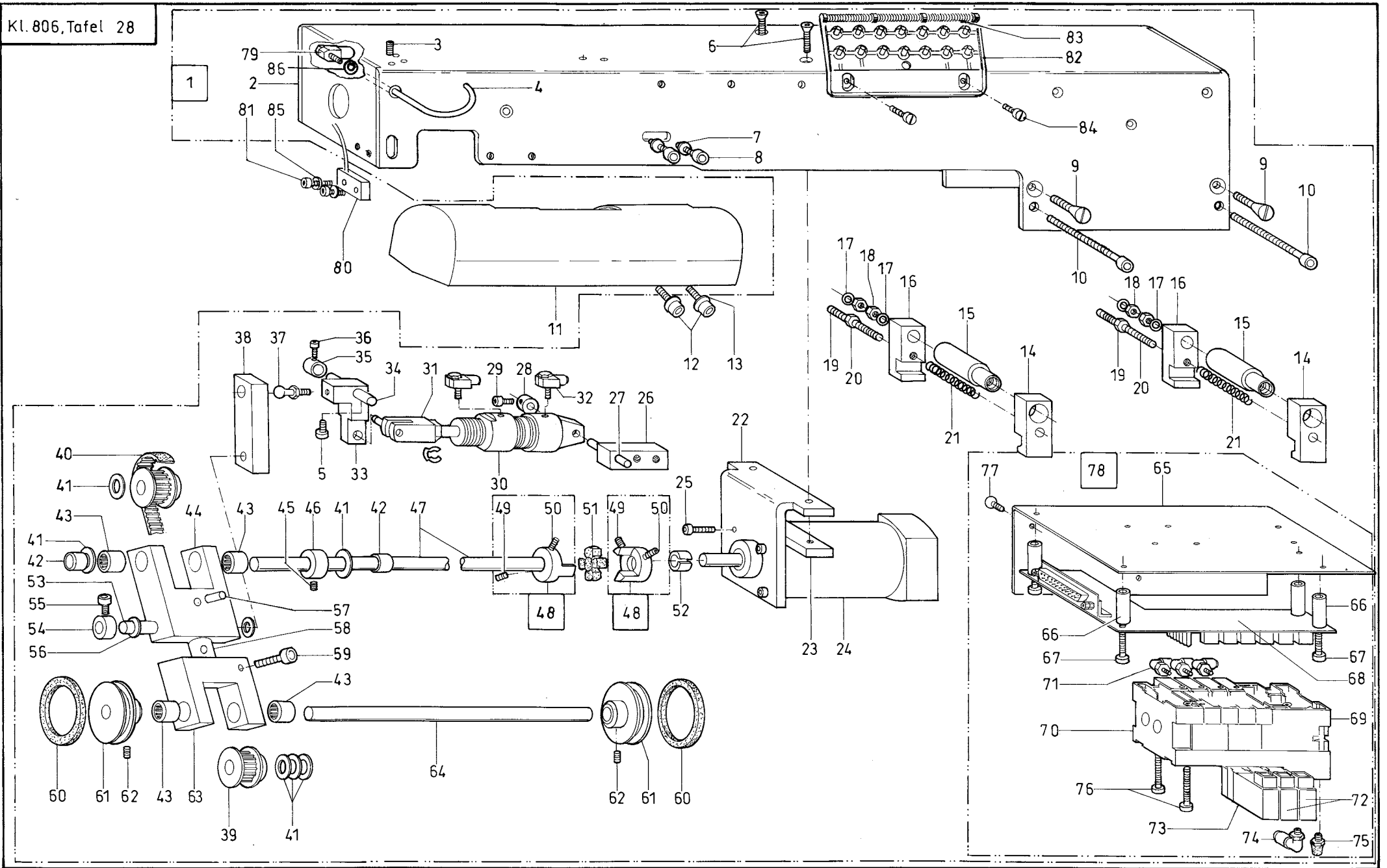
| Pos. | Teile Nr.   | Benennung                               | Denomination                                     | Pos. | Teile Nr.   | Benennung                    | Denomination                  |
|------|-------------|---|--|------|-------------|------------------------------|-------------------------------|
|      |             | Grundtype                               | basetyp  |      |             | Grundtype                    | basetyp                       |
| 1    | 0806 400570 | Rachenstueck                            | Part   | 32   | 9202 002127 | Zyl. Schr.                   | cyl. Screw                    |
| 2    | 9201 113787 | 6Kt. Schr.                              | Hexagonal screw                                  | 33   | 0806 400630 | Klemmbuchse <b>(806)</b>     | clamp bush <b>(806)</b>       |
| 3    | 9301 102511 | Zyl. Stift                              | cylinder pin                                     | 33   | 0806 408130 | Klemmbuchse <b>(806N)</b>    | clamp bush <b>(806N)</b>      |
| 4    | 9202 002917 | Zyl. Schr.                              | cylinder   | 34   | 9202 002917 | Zyl. Schr.                   | cyl. Screw                    |
| 5    | 0806 400554 | Spannscheibe K.                         | belt tension washer cpl.                         | 35   | 9202 003327 | Zyl. Schr. <b>(806)</b>      | cyl. Screw (806)              |
| 6    | 9130 255012 | Zahnriemen                              | timing belt                                      | 35   | 9202 002517 | Zyl. Schr. <b>(806N)</b>     | cyl. Screw (806N)             |
| 7    | 9150 010081 | Linearfuehrung <b>(806)</b>             | guide (806)                                      | 36   | 9800 580008 | Motor, schritt <b>(806)</b>  | motor (806)                   |
| 7    | 9150 010082 | Linearfuehrung <b>(806N)</b>            | guide (806N)                                     | 36   | 9800 580038 | Motor, schritt <b>(806N)</b> | motor (806N)                  |
| 8    | 9202 002077 | Zyl. Schr.                              | cyl- screw                                       | 37   | 0806 400640 | Klemmwelle <b>(806)</b>      | shaft (806)                   |
| 9    | 0805 480020 | Platte                                  | plate  | 37   | 0806 400030 | Klemmwelle <b>(806N)</b>     | shaft (806N)                  |
| 10   | 0999 202390 | Schalter                                | switch   | 38   | 0806 400023 | Grundtraeger V               | support                       |
| 11   | 9127 000001 | Flanschlager                            | flange bearing                                   | 39   | 9120 030350 | Rillenkugellager             | ball bearing                  |
| 12   | 9135 000001 | Spannelement K.                         | belt tension element cpl.                        | 40   | 9120 030150 | Rillenkugellager             | ball bearing                  |
| 13   | 0806 400620 | Zahnriemenrad                           | belt oulley                                      | 41   | 9301 102561 | Zyl. Stift                   | cyl. pin                      |
| 14   | 9202 002897 | Zyl. Schr.                              | cyl. Screw                                       | 42   | 9815 920036 | Lichtschränke                | light barrier                 |
| 15   | 9330 000107 | Scheibe                                 | disc   | 43   | 9202 002077 | Zyl. Schr.                   | cyl. Screw                    |
| 16   | 9130 255011 | Zahnriemen                              | timing belt                                      | 44   | 9330 000087 | Scheibe                      | disc                          |
| 17   | 0806 400590 | Ring                                    | ring   | 45   | 0806 401840 | Winkel                       | angle                         |
| 18   | 0806 400600 | Zahnriemenrad                           | timing ring                                      | 46   | 9203 003077 | Zyl. Schr.                   | Cyl. screw                    |
| 19   | 9352 000350 | Sich. Ring                              | retainer ring                                    | 47   | 9330 000067 | Scheibe                      | disc                          |
| 20   | 0806 401644 | Spannring. Lager K.<br>(mit Pos. 22-28) | belt tension roller bearing<br>(with pos. 21-28) | 48   | 0746 001416 | Schraube V                   | screw                         |
| 22   | 0211 000212 | Stellring                               | set-ring, adjusting                              | 49   | 9231 110137 | 6Kt. Mutter                  | hexagonal nut                 |
| 23   | 9205 102168 | Gew. Stift                              | threaded pin                                     | 50   | 9710 001010 | Ventil, Pneum.               | 3/2 way valve                 |
| 24   | 9334 002190 | Paszcheibe                              | washer   | 51   | 9790 200000 | Verschr. Gd-E                | coupling                      |
| 25   | 0806 401650 | Spannrolle                              | belt tensioner                                   | 52   | 9815 580006 | Hauptschalter <b>(806)</b>   | main switch (806)             |
| 26   | 0793 021729 | Achse                                   | axle   | 52   | 9815 580001 | Hauptschalter <b>(806N)</b>  | main switch (806N)            |
| 27   | 0806 401640 | Spannr. Lager                           | belt tension roller bearing                      | 53   | 0806 401350 | Winkel                       | angle                         |
| 28   | 0744 003118 | Bronzelager                             | bronze bearing                                   | 54   | 9202 002887 | Zyl. Schr.                   | cyl. Screw                    |
| 29   | 9205 102788 | Gew. Stift                              | threaded pin                                     | 55   | 9330 000107 | Scheibe                      | disc                          |
| 30   | 0806 400610 | Zahnwelle                               | shaft  | 56   | 9120 030350 | Rillenkugellager             | ball bearing                  |
| 31   | 0806 401670 | Lagerklotz                              | bearing block                                    | 57   | 0806 400614 | Zahnwelle K <b>(806)</b>     | belt pulley cpl. <b>(806)</b> |
|      |             |   |  |      |             | (mit Pos. 30,33, 34,39-41)   | (with pos. 30, 34, 39-41)     |

Klasse/class 0806

## Tafel/table 027

| Pos. | Teile Nr.   | Benennung   | Denomination  | Pos. | Teile Nr. | Benennung | Denomination |
|------|-------------|---|---|------|-----------|-----------|--------------|
|      |             | Grundtype   | basetyp   |      |           |           |              |
| 57   | 0806 408124 | Zahnwelle K. <b>(806N)</b><br>(mit Pos. 30, 33, 34, 39-41)  | belt pulley cpl. <b>(806N)</b><br>(with pos. 30, 33, 34, 39-41) |      |           |           |              |
| 58   | 0806 400004 | Zahnriemenrad K. <b>(806)</b><br>(Mit Pos. 17-19, 34,37,56) | belt pulley cpl. <b>(806)</b><br>(with pos. 17-19, 34,37,56)    |      |           |           |              |
| 58   | 0806 408084 | Zahnriemenrad K <b>(806N)</b><br>(Mit Pos 17-19,34,37,56)   | belt pulley cpl. <b>(806N)</b><br>(with pos. 17-19, 34,37,56)   |      |           |           |              |
| 59   | 9840 120025 | Bef. Schelle  | clip  |      |           |           |              |
| 60   | 9204 201668 | Linsenschr.   | Screw   |      |           |           |              |
| 61   | 9126 300160 | Gleitlager  | friction bearing  |      |           |           |              |

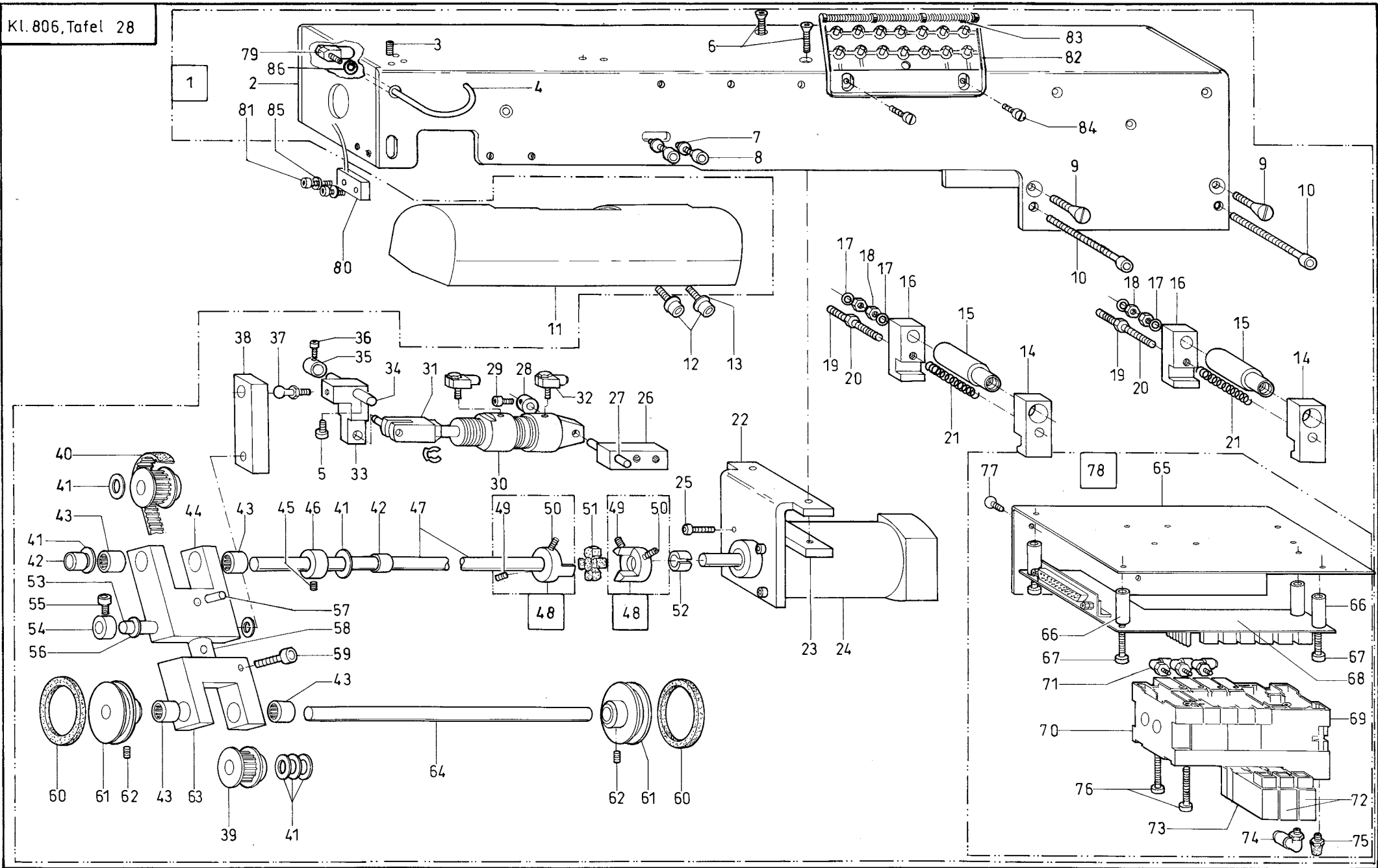




Klasse/class 0806

Tafel/table 028

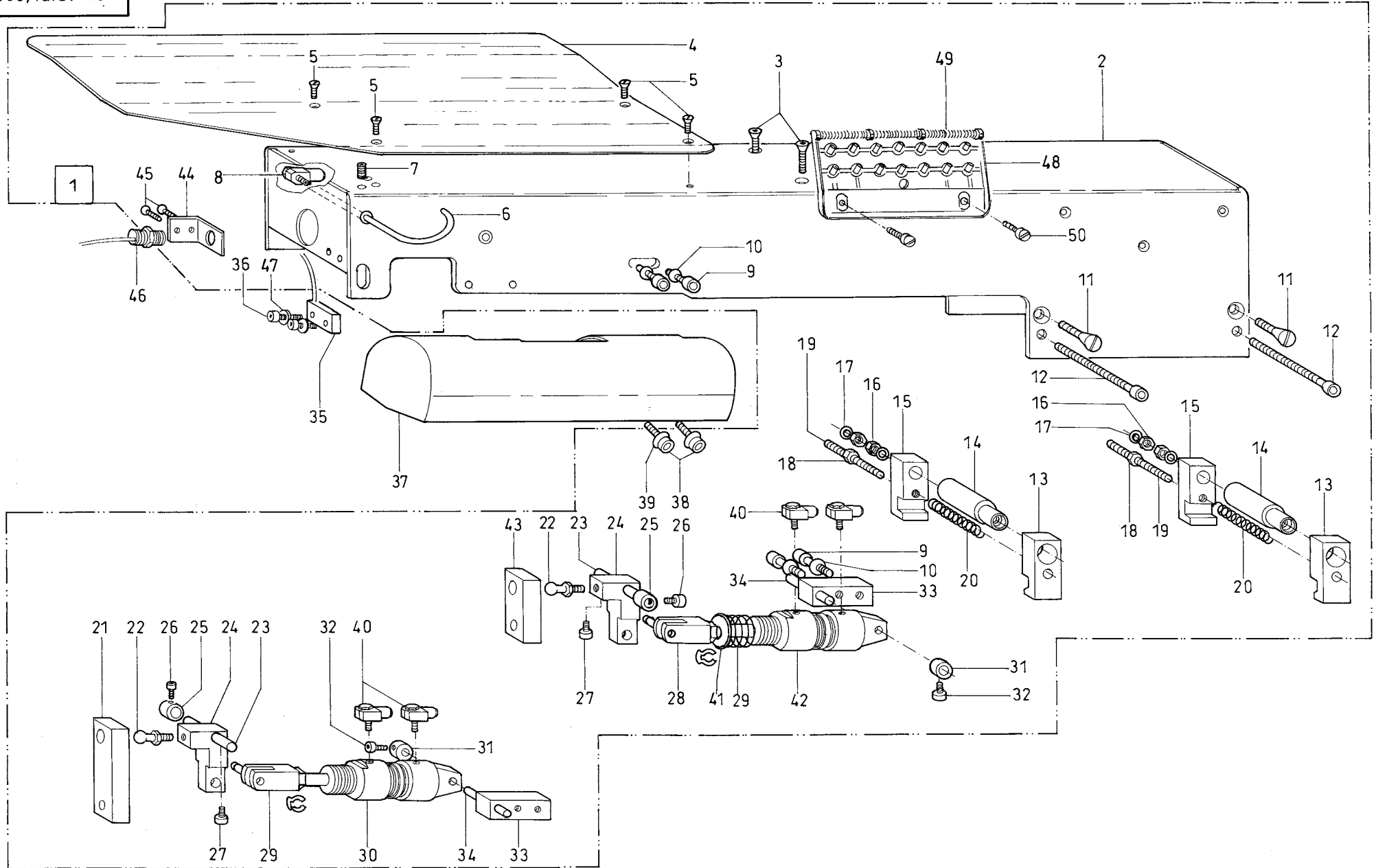
| Pos. | Teile Nr.   | Benennung  | Denomination   | Pos. | Teile Nr.   | Benennung                          | Denomination                     |
|------|-------------|--|--|------|-------------|------------------------------------|----------------------------------|
|      |             | Ausroller  | Ejctor   |      |             |                                    |                                  |
| 1    | 0806 420514 | Ausroller K. <b>(806)</b>                              | smoother cpl. <b>(806)</b>                               | 28   | 0996 120367 | Stelling                           | set-ring, adjusting              |
| 1    | 0806 428009 | Ausroller K. <b>(806N)</b><br>(mit Pos. 3-10,12-64,79, | smoother cpl. <b>(806N)</b><br>(with pos. 3-10,12-64,79, | 29   | 9203 003028 | Zyl. Schr.                         | Cyl. Screw                       |
| 2    | 0806 420203 | Gehaeuse V   | housing  | 30   | 0999 220770 | Zylinder Doppel                    | cylinder, double                 |
| 3    | 9205 162168 | Gew. Stift   | threaded pin   | 31   | 0999 220677 | Befestigung F                      | fastening                        |
| 4    | 0806 420350 | Blaeser  | blower   | 32   | 9710 920012 | Ventil Drossel                     | valve reactor                    |
| 5    | 9205 011621 | Gew. Stift   | Threaded pin   | 33   | 0806 420340 | Hebel                              | lever                            |
| 6    | 9202 100558 | Zyl. Schr.   | cyl. Screw   | 34   | 0272 070210 | Achse                              | shaft                            |
| 7    | 9330 000107 | Scheibe  | disc   | 35   | 0996 120387 | Stelling                           | set-ring, adjusting              |
| 8    | 9202 042897 | Zyl. Schr.   | cyl. Screw   | 36   | 9203 003638 | Zyl. Schr.                         | cyl. screw                       |
| 9    | 9203 314637 | Senkschr.  | sunk screw   | 37   | 9357 200052 | Kugelzapfen                        | ball pivo                        |
| 10   | 9202 003017 | Zyl. Schr.   | cl. Screw  | 38   | 0806 420330 | Hebel                              | lever                            |
| 11   | 0806 420370 | Abdeckung  | covering   | 39   | 0467 340353 | Zahnriemenrad V                    | belt pulley                      |
| 12   | 9202 002067 | Zyl. Schr.   | Cyl. Screw   | 40   | 0999 210886 | Zahnriemen                         | timing belt                      |
| 13   | 9330 000087 | Scheibe  | disc   | 41   | 9334 001170 | Paszscheibe                        | washer                           |
| 14   | 0806 420260 | Fuehrung   | guide  | 42   | 9126 000075 | Gleitlager                         | bushing                          |
| 15   | 0806 420240 | Ansatzschraube   | shulder bush   | 43   | 0999 230573 | Nadelhuelse                        | needle socket                    |
| 16   | 0806 420250 | Fuehrung   | guide  | 44   | 0806 420300 | Halter                             | holder                           |
| 17   | 9330 000127 | Scheibe  | disc   | 45   | 9205 102158 | Gew. Stift                         | threaded pin                     |
| 18   | 9231 110137 | 6Kt. Mutter  | hexagonal nut  | 46   | 0996 120427 | Stelling                           | set-ring, adjusting              |
| 19   | 9231 000397 | 6Kt. Mutter  | hexagonal nut  | 47   | 0804 410520 | Welle                              | shaft                            |
| 20   | 9205 102927 | Gew. Stift   | threadet pin   | 48   | 0367 150103 | Kuppl, Klaue V<br>(Mit Pos. 49,50) | threade pin<br>(with pos. 49,50) |
| 21   | 0576 001371 | Druckfeder   | presser spring   | 49   | 9205 102488 | Gew. Stift                         | threaded pin                     |
| 22   | 0806420310  | Halter <b>(806)</b>                                    | holder <b>(806)</b>                                      | 50   | 9205 122498 | Gew. Stift                         | threaded pin                     |
| 22   | 0806 428010 | Halter <b>(806N)</b>                                   | holder <b>(806N)</b>                                     | 51   | 0396 105120 | Zahnkranz                          | toothed wreath, cog              |
| 23   | 0806 420320 | Platte   | plate  | 52   | 0806 420270 | Huelse (806)                       | bushing (806)                    |
| 24   | 9800 580002 | Motor (806)  | motor (806)  | 53   | 0806 428040 | Huelse (806N)                      | bushing (806N)                   |
| 24   | 9800 580033 | Motor (806N)   | motor (806N)   | 54   | 0996 120387 | Stelling                           | set-ring, adjusting              |
| 25   | 9202 002077 | Zyl. Schr.   | Pin  | 55   | 9203 003638 | Zyl. Schr.                         | cyl. screw                       |
| 26   | 0806 420360 | Aufnahme   | reception  | 56   | 0998 881010 | Paszscheibe                        | washer                           |
| 27   | 9301 102243 | Zyl. Stift   | pin  | 57   | 9301 951048 | Zyl. Schr.                         | Cyl. Screw                       |



Klasse/class 0806

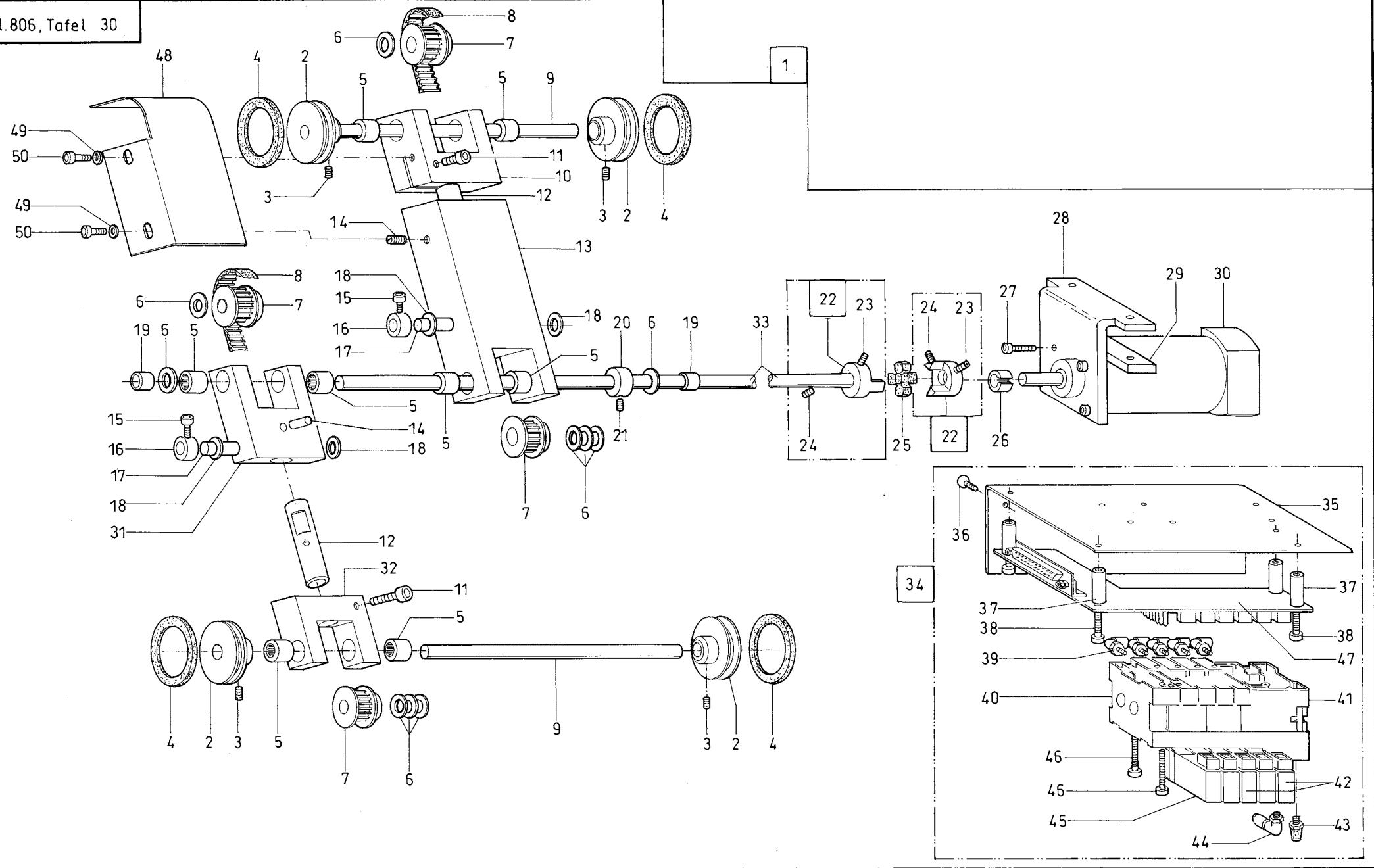
Tafel/table 028

| Pos. | Teile Nr.   | Benennung                            | Denomination                         |
|------|-------------|--------------------------------------|--------------------------------------|
| 58   | 0806 420290 | Bolzen                               | bolt,stud                            |
| 60   | 0805 420630 | Daempfring                           | damping winding                      |
| 61   | 0805 420620 | Transportrad                         | feed wheel                           |
| 62   | 0933 950818 | Gew. Stift                           | threaded pin                         |
| 63   | 0806 420280 | Gabel                                | fork                                 |
| 64   | 0805 420600 | Welle                                | shaft                                |
| 65   | 9751 000011 | Ventilhalter                         | valve holder                         |
| 66   | 9830 501025 | Distanzhuelse                        | distance sleeve                      |
| 67   | 9203 003727 | Zyl. Schr.                           | Cyl. Screw                           |
| 68   | 9850 806003 | Leiterplatte                         | pcb. Cpl.                            |
| 69   | 9710 900012 | Anschlussblock                       | connecting                           |
| 70   | 9710 900013 | Anschlussblock                       | connecting                           |
| 71   | 9790 201000 | Verschr. W-E                         | coupling                             |
| 72   | 9710 061222 | Ventil, Magnet                       | valve                                |
| 73   | 9710 061221 | Ventli, Magnet                       | valve                                |
| 74   | 0999 240392 | WI-E-Verschraubung                   | coupling                             |
| 75   | 9710 982005 | Schalldaempfer                       | sound absorber                       |
| 76   | 9203 003167 | Zyl. Schr.                           | cyl. Screw                           |
| 77   | 9203 313647 | Senkschr.                            | Sunk screw                           |
| 78   | 9750 806010 | Ventileinheit K.<br>(mit Pos. 65-77) | valve unit cpl.<br>(with pos. 65-77) |
| 79   | 9710 920011 | Ventil, Drossel                      | valve reactor                        |
| 80   | 9815 920036 | Lichtschränke                        | light barrier                        |
| 81   | 9203 003087 | Zyl. Schr.                           | cyl. Screw                           |
| 82   | 0381 170074 | Spulenmagazin                        | bobbin storage                       |
| 83   | 0381 170080 | Klemmfeder                           | lock spring                          |
| 84   | 9203 123687 | Flachkopfschr.                       | Screw                                |
| 85   | 9330 000067 | Scheibe                              | screw                                |
| 86   | 0430 277360 | Scheibe                              | screw                                |



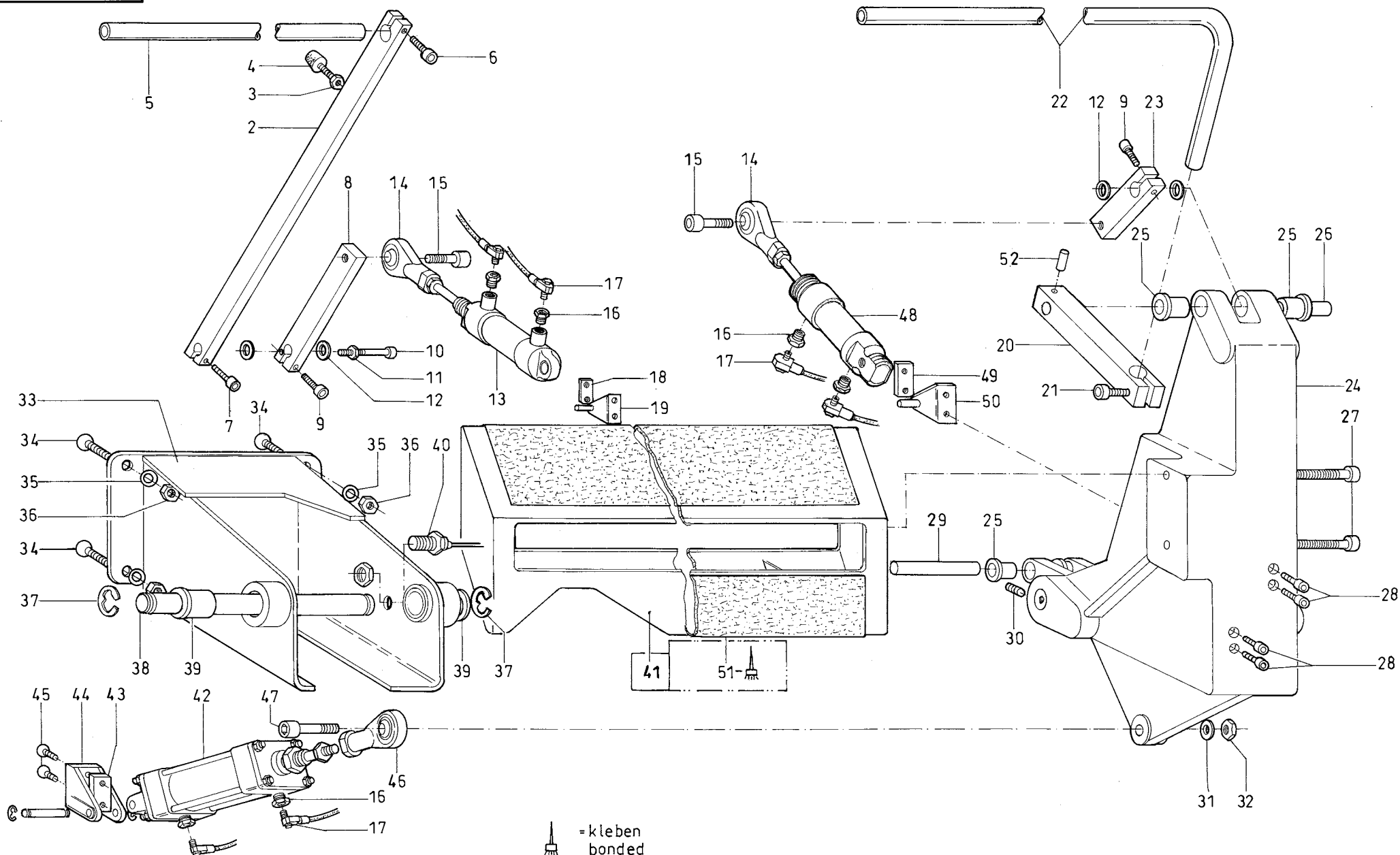
| Pos. | Teile-Nr.   | Benennung   | Denomination  |
|------|-------------|---|---|
|      |             | AUSSROLLER  | SMOOTHER  |
| 1    | 0806 420524 | AUSROLLER-VOR K<br>(MIT POS.2-34,36,38-45,<br>47-50 + tafel 30) | smoother cpl.<br>(with pos. 2-34,36,38-45,<br>47-50 + table 30) |
| 2    | 0806 420403 | GEHAEUSE V  | housing   |
| 3    | 9202 100558 | SENKSCHR.   | sunk screw  |
| 4    | 0805 420610 | ABDECKUNG   | cover   |
| 5    | 9203 313657 | SENKSCHR.   | sunk screw  |
| 6    | 0806 420350 | BLAESER   | blower  |
| 7    | 9205 162168 | GEW.STIFT   | threaded pin  |
| 8    | 9710 920011 | VENTIL,DROSSEL  | valve reactor   |
| 9    | 9202 042897 | ZYL.SCHR.   | cyl. screw  |
| 10   | 9330 000107 | SCHEIBE   | disc  |
| 11   | 9203 314637 | SENKSCHR.   | sunk screw  |
| 12   | 9202 003017 | ZYL.SCHR.   | cyl. screw  |
| 13   | 0806 420260 | FUEHRUNG  | guide   |
| 14   | 0806 420240 | ANSATZBUCHSE  | shoulder bush   |
| 15   | 0806 420250 | FUEHRUNG  | guide   |
| 16   | 9231 110137 | 6KT.MUTTER  | hexagonal nut   |
| 17   | 9330 000127 | SCHEIBE   | disc  |
| 18   | 9231 000397 | 6KT.MUTTER  | hexagonal nut   |
| 19   | 9205 102927 | GEW.STIFT   | threaded pin  |
| 20   | 0576 001371 | DRUCKFEDER  | presser spring  |
| 21   | 0806 420330 | HEBEL   | lever   |
| 22   | 9357 200052 | KUGELZAPFEN   | ball pivot  |
| 23   | 0272 070210 | ACHSE   | shaft   |
| 24   | 0806 420340 | HEBEL   | lever   |
| 25   | 0996 120387 | STELLRING   | set-ring, adjusting   |
| 26   | 9203 003638 | ZYL.SCHR.   | cyl. screw  |
| 27   | 9203 100637 | FLACHKOPFSCHR.  | countersunk screw   |
| 28   | 0999 220677 | BEFESTIGUNG F   | fastening   |
| 29   | 0805 420390 | DRUCKFEDER  | presser spring  |
| 30   | 0999 220770 | ZYLINDER,DOPPEL   | cylinder,double   |
| 31   | 0996 120367 | STELLRING   | set-ring, adjusting   |
| 32   | 9203 003028 | ZYL.SCHR.   | cyl. screw  |

| Pos. | Teile-Nr.   | Benennung       | Denomination    |
|------|-------------|-----------------|-----------------|
| 33   | 0806 420360 | AUFNAHME        | reception       |
| 34   | 9301 102243 | RGKPF.ZYL.STIFT | pin             |
| 35   | 9815 920012 | LICHTSCHRANKE   | light barrier   |
| 36   | 9203 003087 | ZYL. SCHR.      | cyl. screw      |
| 37   | 0806 420370 | ABDECKUNG       | covering        |
| 38   | 9202 002067 | ZYL.SCHR.       | cyl. screw      |
| 39   | 9330 000087 | SCHEIBE         | disc            |
| 40   | 9710 920012 | VENTIL,DROSSEL  | valve reactor   |
| 41   | 0805 420480 | ANSATZSCHEIBE   | washer          |
| 42   | 9700 212004 | ZYLINDER,DOPPEL | cylinder,double |
| 43   | 0806 420420 | HEBEL           | lever           |
| 44   | 0805 420310 | HALTER          | holder          |
| 45   | 9203 313657 | SENKSCHR.       | sunk screw      |
| 46   | 0999 202390 | SCHALTER        | switch          |
| 47   | 9330 000067 | SCHEIBE         | disc            |
| 48   | 0381 170074 | SPULENMAGAZIN   | bobbin storage  |
| 49   | 0381 170080 | KLEMMFEDER      | lock spring     |
| 50   | 9203 123687 | FLACHKOPFSCHR.  | screw           |
| 51   | 0430 277360 | SCHEIBE         | washer          |



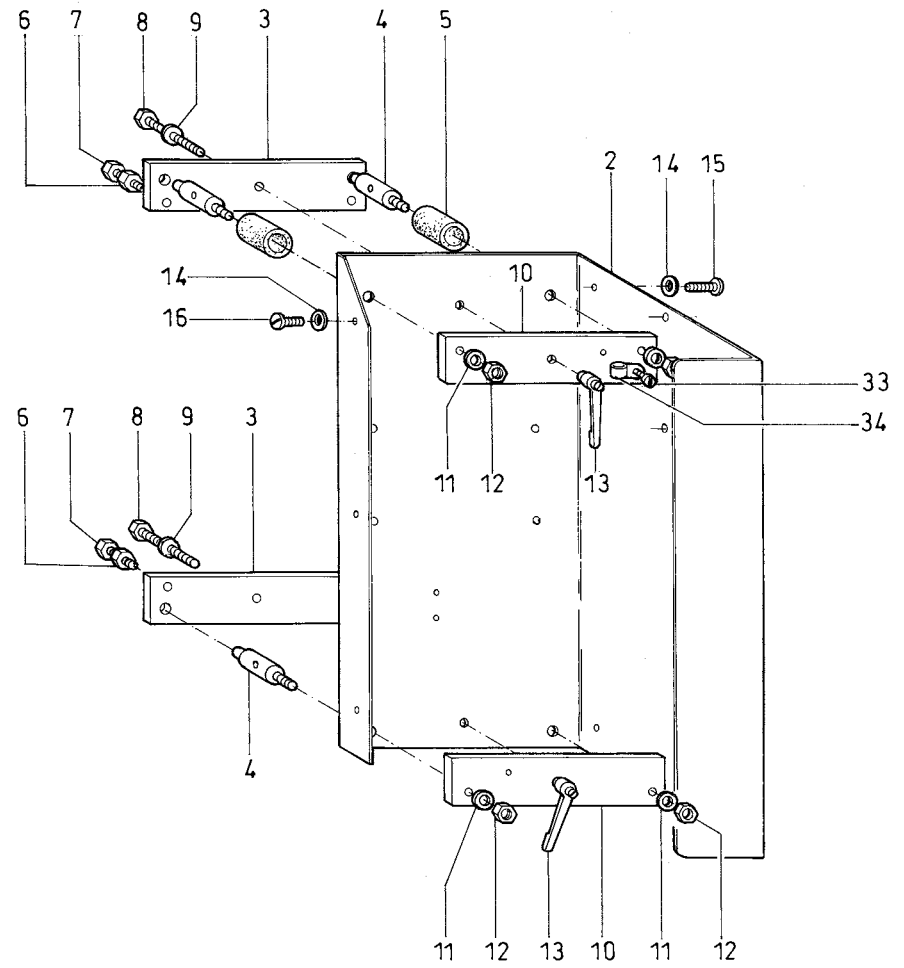
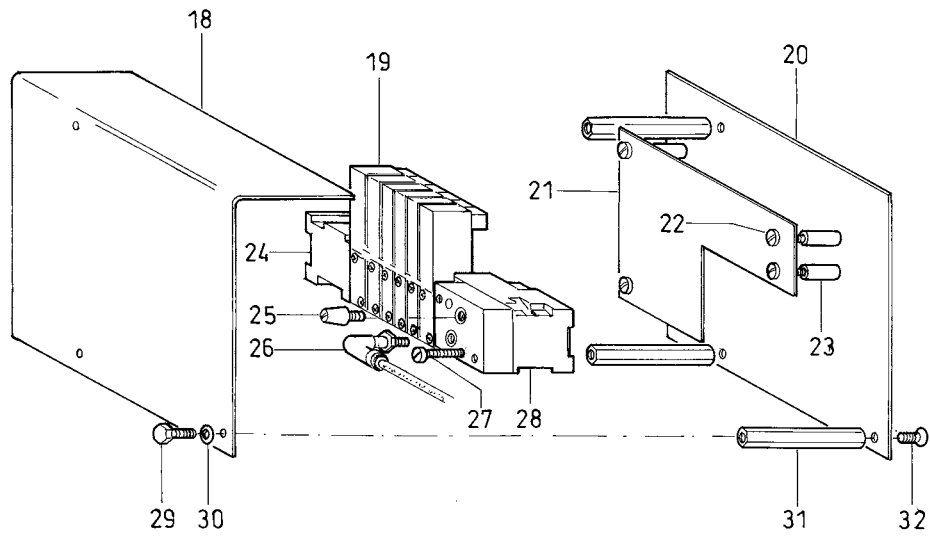
| Klasse/class 0806 |             |  |  | Tafel/table 030 |              |                     |                     |
|-------------------|-------------|--|--|-----------------|--------------|---------------------|---------------------|
| Pos.              | Teile Nr.   | Benennung                                  | Denomination                             | Pos.            | Teile Nr.    | Benennung           | Denomination        |
|                   |             | Ausroller vor K.                           | Smoother cpl.                            |                 |              |                     |                     |
| 1                 | 0806 420524 | Ausroller vor. K.<br>(mit Pos. 2-33,48-50) | smoother cpl.<br>(with pos. 2-33, 48-50) | 30              | 9800 560002  | Motor <b>(806)</b>  | motor <b>(806)</b>  |
| 2                 | 0805 420620 | Transportrad                               | feed whel                                |                 | 9800 580033  | Motor <b>(806N)</b> | motor <b>(806N)</b> |
| 31                | 0806 420300 | Halter                                     | holder                                   | 31              | 0806 420300  | Halter              | holder              |
| 3                 | 0993 950818 | Gew. Stift                                 | threaded pin                             | 32              | 0806 420280  | Gabel               | fork                |
| 4                 | 0805 420630 | Daempfring                                 | absorberring                             | 33              | 0804 410520  | Welle               | shaft               |
| 5                 | 0999 230573 | Nadelhuelse                                | needle socket                            | 34              | 9750 806011  | Ventileinheit K     | valve unit cpl.     |
| 6                 | 9334 001170 | Passzscheibe                               | washer                                   | 35              | 9751 000011  | Senkchraube         | sunk screw          |
| 7                 | 0467 340353 | Zahnriemenrad V                            | belt pulley                              | 36              | 9203 003727  | Zyl. Schr.          | cyl. screw          |
| 8                 | 0999 210876 | Zahnriemen (365mm)                         | timing belt (365mm)                      | 37              | 9830 501025  | Distanzhuelse       | distance sleeve     |
| 9                 | 0805 420600 | Welle                                      | shaft                                    | 38              | 9203 003727  | Zyl. Schr.          | cyl. screw          |
| 10                | 0806 420280 | Gabel                                      | fork                                     | 39              | 9790 201000  | Verschr. Wi-E       | coupling            |
| 11                | 9202 002907 | Zyl. Schr.                                 | cyl. Screw                               | 40              | 9710 900013  | Anschlussblock      | connecting          |
| 12                | 0806 420290 | Bolzen                                     | bolt, stud                               | 41              | 9700 900012  | Anschlussblock      | connekting          |
| 13                | 0806 420410 | Halter                                     | holder                                   | 42              | 9710 061222  | Ventil, Magnst      | valve, magnet       |
| 14                | 9301 101911 | Zyl. Stift                                 | cyl. Pin                                 | 43              | 9710 982005  | Schalldaempfer      | sound, bsorber      |
| 15                | 9203 003638 | Zyl. Schr.                                 | cyl. Screw                               | 44              | 0999 240392  | Wi-E-Verschr.       | coupling            |
| 16                | 0996 120387 | Stellring                                  | set-ring, adjusting                      | 45              | 9710 061221  | Ventil, Magnet      | valve, magnet       |
| 17                | 0993 021490 | Zyl. Stift                                 | cyl. Pin                                 | 46              | 9203 003167  | Zyl. Schr.          | cyl. screw          |
| 18                | 0998 881010 | Paszscheibe                                | washer                                   | 47              | 9850 806003  | Leiterplatte        | pcb.                |
| 19                | 9126 000075 | Gleitlager                                 | bushing                                  | 48              | 0805 421720  | Abdeckung           | covering            |
| 20                | 0996 120427 | Stellring                                  | set-ring, adjusting                      | 49              | 9330 000087  | Scheibe             | disc                |
| 21                | 9205 102158 | Gew. Stift                                 | threaded pin                             | 50              | 9202 0020678 | Zyl. Schraube       | cyl. screw          |
| 22                | 0367 150103 | Kuppl. Klaue V<br>(mit Pos. 23, 24)        | coupling claw<br>(with pos. 23, 24)      |                 |              |                     |                     |
| 23                | 9205 102488 | Gew. Stift                                 | threaded pin                             |                 |              |                     |                     |
| 24                | 9205 122498 | Gew. Stift                                 | threaded pin                             |                 |              |                     |                     |
| 25                | 0396 105120 | Zahnkranz                                  | toothed wreath, cog                      |                 |              |                     |                     |
| 26                | 0806 420270 | Huelse (806)                               | bushing (806)                            |                 |              |                     |                     |
|                   | 0806 428040 | Huelse (806N)                              | bushing (806N)                           |                 |              |                     |                     |
| 27                | 9202 002077 | Zyl. Schr.                                 | Cyl. Screw                               |                 |              |                     |                     |
| 28                | 0806 420310 | Halter (806)                               | holder (806)                             |                 |              |                     |                     |
|                   | 0806 420810 | Halter (806N)                              | holder (806N)                            |                 |              |                     |                     |
| 29                | 0806 420320 | Platte                                     | plate                                    |                 |              |                     |                     |





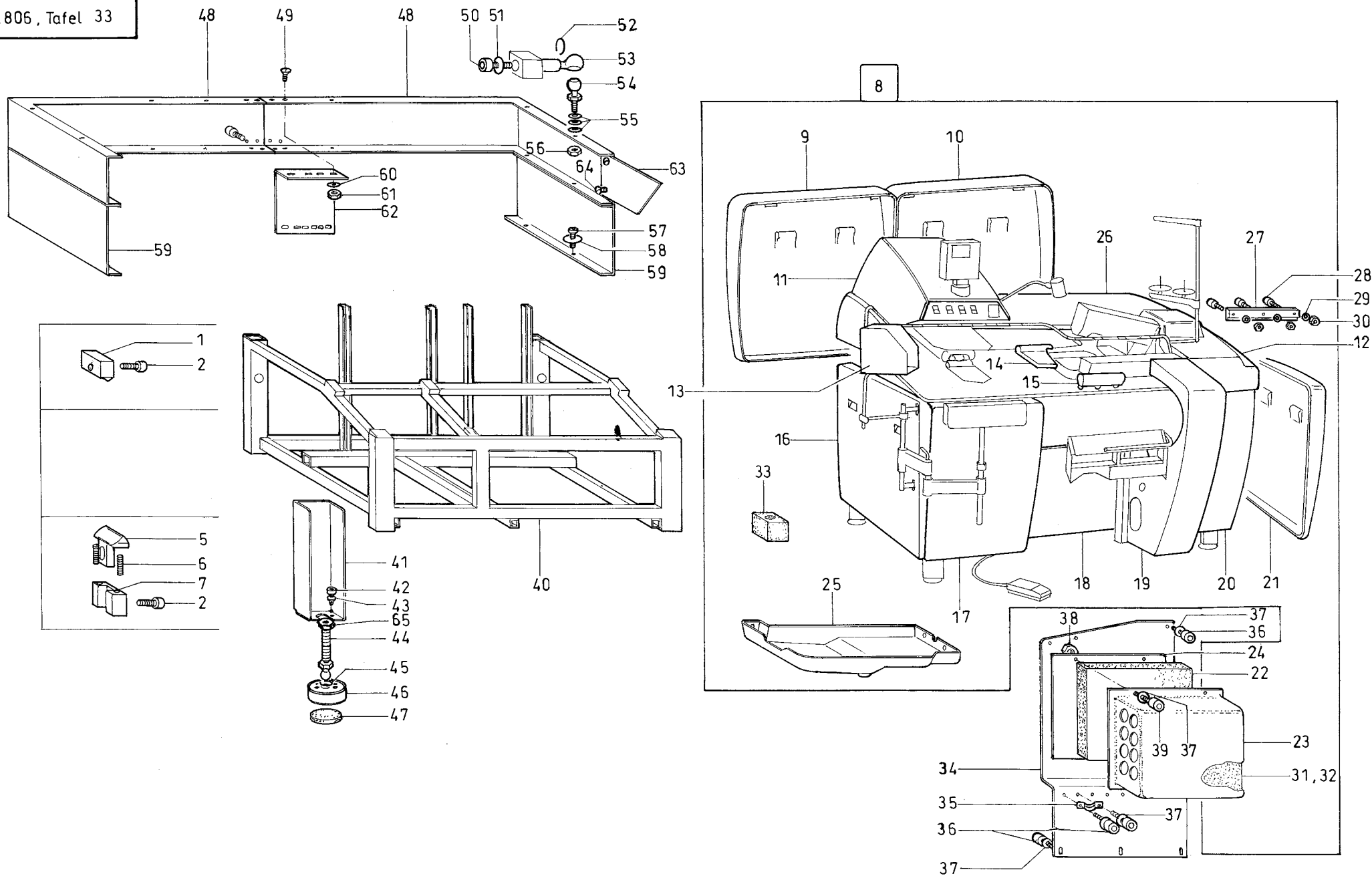
| Pos. | Teile-Nr.   | Benennung       | Denomination    |
|------|-------------|-----------------|-----------------|
|      |             | STAPLER         | STACKER         |
| 2    | 0806 420100 | HEBEL           | lever           |
| 3    | 9231 110057 | 6KT. MUTTER     | hexagonal nut   |
| 4    | 0999 211008 | GUMMIPUFFER     | rubber buffer   |
| 5    | 0805 420110 | ROHR            | pipe            |
| 6    | 9202 043297 | ZYL. SCHR.      | cyl. screw      |
| 7    | 9202 002917 | ZYL. SCHR.      | cyl. screw      |
| 8    | 0805 420060 | HEBEL           | lever           |
| 9    | 9202 002907 | ZYL. SCHR.      | cyl. screw      |
| 10   | 9202 002987 | ZYL. SCHR.      | cyl. screw      |
| 11   | 9231 110127 | 6KT. MUTTER     | hexagonal nut   |
| 12   | 0998 880610 | PASZSCHEIBE     | washer          |
| 13   | 9700 200840 | ZYLINDER,DOPPEL | cylinder,double |
| 14   | 0999 210803 | GELENKSTG.KOPF  | joint head      |
| 15   | 9202 003317 | ZYL. SCHR.      | cyl. screw      |
| 16   | 9792 001030 | REDUZIERNIPPEL  | reducing nipple |
| 17   | 9710 920012 | VENTIL,DROSSEL  | valve reactor   |
| 18   | 0973 461020 | GEW. PLATTE     | threaded plate  |
| 19   | 0767 350464 | BEFESTIGUNG L   | fastening       |
| 20   | 0806 420120 | HEBEL           | lever           |
| 21   | 9202 043297 | ZYL. SCHR.      | cyl. screw      |
| 22   | 0806 420140 | AUSSENHEBEL     | lever           |
| 23   | 0806 420110 | HEBEL           | lever           |
| 24   | 0806 420080 | GEHAEUSE        | housing         |
| 25   | 0999 210796 | BUCHSE          | bushing         |
| 26   | 0805 420050 | ACHSE           | axle            |
| 27   | 9202 003347 | ZYL. SCHR.      | cyl. screw      |
| 28   | 9202 002917 | ZYL. SCHR.      | cyl. screw      |
| 29   | 0805 420050 | ACHSE           | axle            |
| 30   | 0993 941218 | GEW. STIFT      | threaded pin    |
| 31   | 9330 000137 | SCHEIBE         | disc            |
| 32   | 9231 000407 | 6KT. MUTTER     | hexagonal nut   |
| 33   | 0806 420053 | LAGERBOCK V     | pillow block    |
| 34   | 9202 100977 | SENKSCHR.       | sunk screw      |
| 35   | 9330 000127 | SCHEIBE         | disc            |

| Pos. | Teile-Nr.        | Benennung                | Denomination           |
|------|------------------|--------------------------|------------------------|
| 36   | 9231 110137      | 6KT. MUTTER              | hexagonal nut          |
| 37   | 9357 000150      | SICH. SCHEIBE            | fastennig disc         |
| 38   | 0805 420090      | ACHSE                    | axle                   |
| 39   | 9126 200153      | SINTERLAGER              | sinter bearing         |
| 40   | 0999 202390      | SCHALTER                 | switch                 |
| 41   | 0806 420093      | ABLAGE V<br>(MIT POS 51) | tray<br>(with pos. 51) |
| 42   | 9700 001260      | ZYLINDER,DOPPEL          | cylinder,double        |
| 43   | 0805 530230      | GEW.PLATTE               | threaded plate         |
| 44   | 0999 220761      | BEFESTIGUNG L            | fastening              |
| 45   | 9203 314317      | SENKSCHR.                | sunk screw             |
| 46   | 0999 210804      | GELENKSTG.KOPF           | joint head             |
| 47   | 9202 003747      | ZYL. SCHR.               | cyl.screw              |
| 48   | 0797 001535      | ZYLINDER                 | cylinder               |
| 49   | 0806 420130      | GEWINDEPLATTE            | threaded plate         |
| 50   | 9700 900502      | LAGERBOCK                | jack, support          |
| 51   | 0002 008323 5600 | WEBBAUMBELAG             | lining 1m              |
| 52   | 9301 101911      | ZYL. STIFT               | cyl. stud              |



| Pos. | Teile-Nr.   | Benennung       | Denomination    |
|------|-------------|-----------------|-----------------|
|      |             | STAPLER         | STACKER         |
| 2    | 0806 420010 | TRAEGERBLECH    | carrier plate   |
| 3    | 0806 420040 | PLATTE          | plate           |
| 4    | 0806 420020 | ANSATZBOLZEN    | shoulder bolt   |
| 5    | 0806 420030 | ROLLE           | roll, roller    |
| 6    | 9231 000397 | 6KT. MUTTER     | hexagonal nut   |
| 7    | 9201 113707 | 6KT. SCHR.      | hexagonal screw |
| 8    | 9201 113847 | 6KT. SCHR.      | hexagonal screw |
| 9    | 9330 900127 | SCHEIBE         | disc            |
| 10   | 0806 420170 | PLATTE          | plate           |
| 11   | 9330 000137 | SCHEIBE         | disc            |
| 12   | 9231 110147 | 6KT. MUTTER     | hexagonal nut   |
| 13   | 0742 001741 | KIPP-KLEMMHEBEL | tension grip    |
| 14   | 9330 900097 | SCHEIBE         | disc            |
| 15   | 9202 002097 | ZYL. SCHR.      | cyl. screw      |
| 16   | 9202 002087 | ZYL. SCHR.      | cyl. screw      |
| 18   | 9751 000013 | ABDECKUNG       | covering        |
| 19   | 9710 061202 | VENTIL,MAGNET   | valve, magnet   |
| 20   | 9751 000012 | VENTILHALTER    | valve holder    |
| 21   | 9850 806003 | LEITERPLATTE K  | pcb             |
| 22   | 9203 003727 | ZYL. SCHR.      | cyl. screw      |
| 23   | 9830 501025 | DISTANZHUELSE   | distance sleeve |
| 24   | 9710 900013 | ABSCHLUSSBLOCK  | connecting      |
| 25   | 9710 982005 | SCHALLDAEMPFER  | sound absorber  |
| 26   | 0999 240392 | WI-E-VERSCHR.   | coupling        |
| 27   | 9203 003167 | ZYL. SCHR.      | cyl. screw      |
| 28   | 9710 900012 | ANSCHLUSSBLOCK  | connecting      |
| 29   | 9201 112447 | 6KT. SCHR.      | hexagonal screw |
| 30   | 9330 000087 | SCHEIBE         | disc            |
| 31   | 0265 003665 | STUETZE         | support         |
| 32   | 9203 313697 | SENKSCHR.       | sunk screw      |
| 33   | 9203 003677 | ZYL. SCHR.      | cyl. screw      |
| 34   | 9840 120026 | BEF. SCHELLE    | clamp           |

| Pos. | Teile-Nr. | Benennung | Denomination |
|------|-----------|-----------|--------------|
|------|-----------|-----------|--------------|



Klasse/class 0806

Tafel/table 033

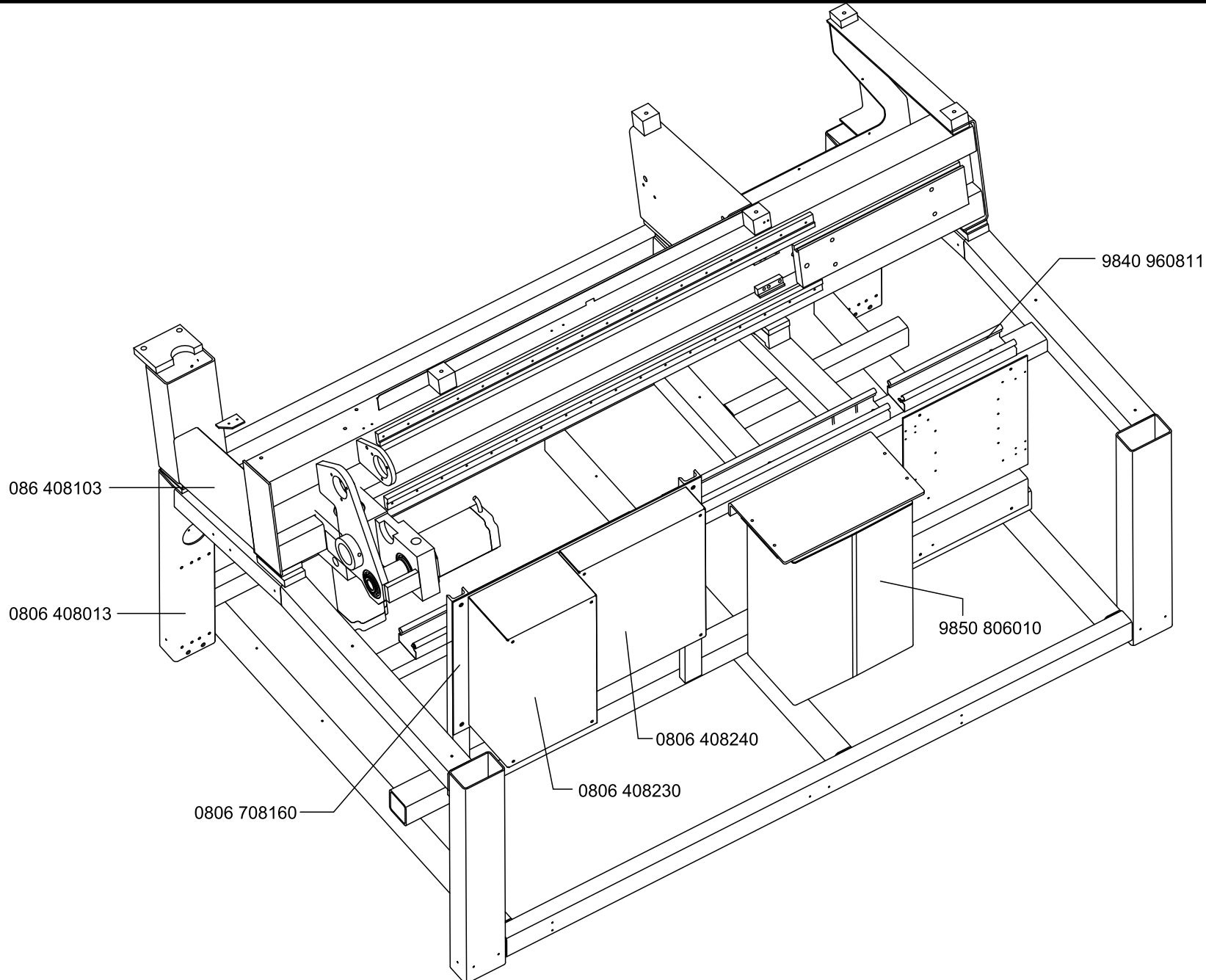
| Pos. | Teile Nr.   | Benennung   | Denomination   | Pos. | Teile Nr.   | Benennung                | Denomination        |
|------|-------------|---|--|------|-------------|--------------------------|---------------------|
|      |             | Verkleidung   | cover  | 29   | 9330 900097 | Scheibe                  | disc                |
|      |             |   |  | 30   | 9231 110057 | 6Kt. Mutter              | hexagonal nut       |
| 1    | 0805 401290 | Anschlag  | guide  | 31   | 0805 401462 | Platte                   | plate               |
| 2    | 9202 002087 | Zyl. Schr.  | Cyl. Screw   | 32   | 0805 401452 | Platte                   | seat                |
| 6    | 0169 002290 | Druckfeder  | pressure spring  | 34   | 0806 400490 | Z-Blech                  | plate               |
| 7    | 0805 401270 | Halter  | holder   | 35   | 9840 120233 | Bef. Schelle             | clamp               |
| 8    | 0806 403504 | Verkleidung K. <b>(806)</b><br>(mit Pos. 9-11, 14-27, 31, 33) | cover cpl. <b>(806)</b><br>(with pos. 9-11, 14-27, 31, 33) | 36   | 9202 002077 | Scheibe                  | disc                |
|      | 0806 408214 | Verkleidung K <b>(806N)</b>                                   | cover cpl. <b>(806N)</b>                                   | 37   | 9330 900097 | Scheibe                  | disc                |
| 9    | 0806 401013 | Abdeckung V   | covering   | 38   | 9202 002077 | Zyl. Schr.               | cyl. screw          |
| 10   | 0806 401023 | Abdeckung V   | covering   | 39   | 9202 002127 | Zyl. Schr.               | cyl. screw          |
| 11   | 0806 401083 | Abdeckung V <b>(806)</b>                                      | covering <b>(806)</b>                                      | 40   | 0806 400014 | Gestell K <b>(806)</b>   | stand <b>(806)</b>  |
|      | 0806 408223 | Abdeckung V <b>(806N)</b>                                     | covering <b>(806N)</b>                                     |      | 0806 408014 | Gestell K. <b>(806N)</b> | stand <b>(806N)</b> |
| 12   | 0806 401073 | Abdeckung V <b>(806-121)</b>                                  | covering <b>(806-121)</b>                                  | 41   | 0805 400110 | Fussverkleidung          | foot covering       |
|      | 0806 401293 | Abdeckung V) <b>(806-111)</b>                                 | covering <b>(806-111)</b>                                  | 42   | 9202 002897 | Zyl. Schr.               | cyl. screw          |
| 13   | 0805 401500 | Taschenablage <b>(806-121)</b>                                | tray <b>(806-121)</b>                                      | 43   | 9330 000107 | Scheibe                  | disc                |
|      | 0805 402710 | Taschenablage <b>(806-111)</b>                                | tray <b>(806-111)</b>                                      | 44   | 0806 400120 | Gew. Bolzen              | hreaded pin         |
| 14   | 0806 401980 | Abdeckung   | covering   | 45   | 9354 500150 | Sprengring               | spring ring         |
| 15   | 0806 401980 | Abdeckung   | covering   | 46   | 0806 400130 | Flansch                  | flange              |
| 16   | 0806 401233 | Abdeckung V   | covering   | 47   | 0806 402000 | Daempfscheibe            | disc                |
| 17   | 0806 401043 | Abdeckung V   | covering   | 48   | 0806 400990 | U-Blech                  | plate               |
| 18   | 0806 401300 | Platte  | plate  | 49   | 9203 313977 | Senkschr.                | sunk screw          |
| 19   | 0806 401113 | Abdeckung V   | covering   | 50   | 9202 002887 | Zyl. Schr.               | cyl. screw          |
| 20   | 0806 401053 | Abdeckung V   | covering   | 51   | 9330 900117 | Scheibe                  | disc                |
| 21   | 0806 401033 | Abdeckung V   | covering   | 52   | 9357 000110 | Sich. Scheibe            | fastening disc      |
| 22   | 0805 401470 | Platte  | plate  | 53   | 9357 200106 | Kugelpfanne              | ball-socket         |
| 23   | 0805 401442 | Haube   | cover  | 54   | 9357 200056 | Kugelzapfen              | ball pivot          |
| 24   | 0806 401470 | Platte  | plate  | 55   | 9330 000107 | Scheibe.                 | disc                |
| 25   | 0806 401903 | Oilwanne  | oil sump   | 56   | 9231110127  | 6Kt. Mutter              | hexagonal nut       |
| 26   | 0806 401063 | Abdeckung V   | covering   | 57   | 9202 002477 | Zyl. Schr.               | cyl. screw          |
| 27   | 0806 401120 | Fuehrung  | guide  | 58   | 9330 900107 | Scheibe                  | disc                |
| 28   | 9203 003737 | Zyl. Schr.  | Cyl. Screw   | 59   | 0806 400970 | U-Blech                  | plate               |
|      |             |   |  | 60   | 9330 000097 | Scheibe                  | disc                |

Klasse/class 0806

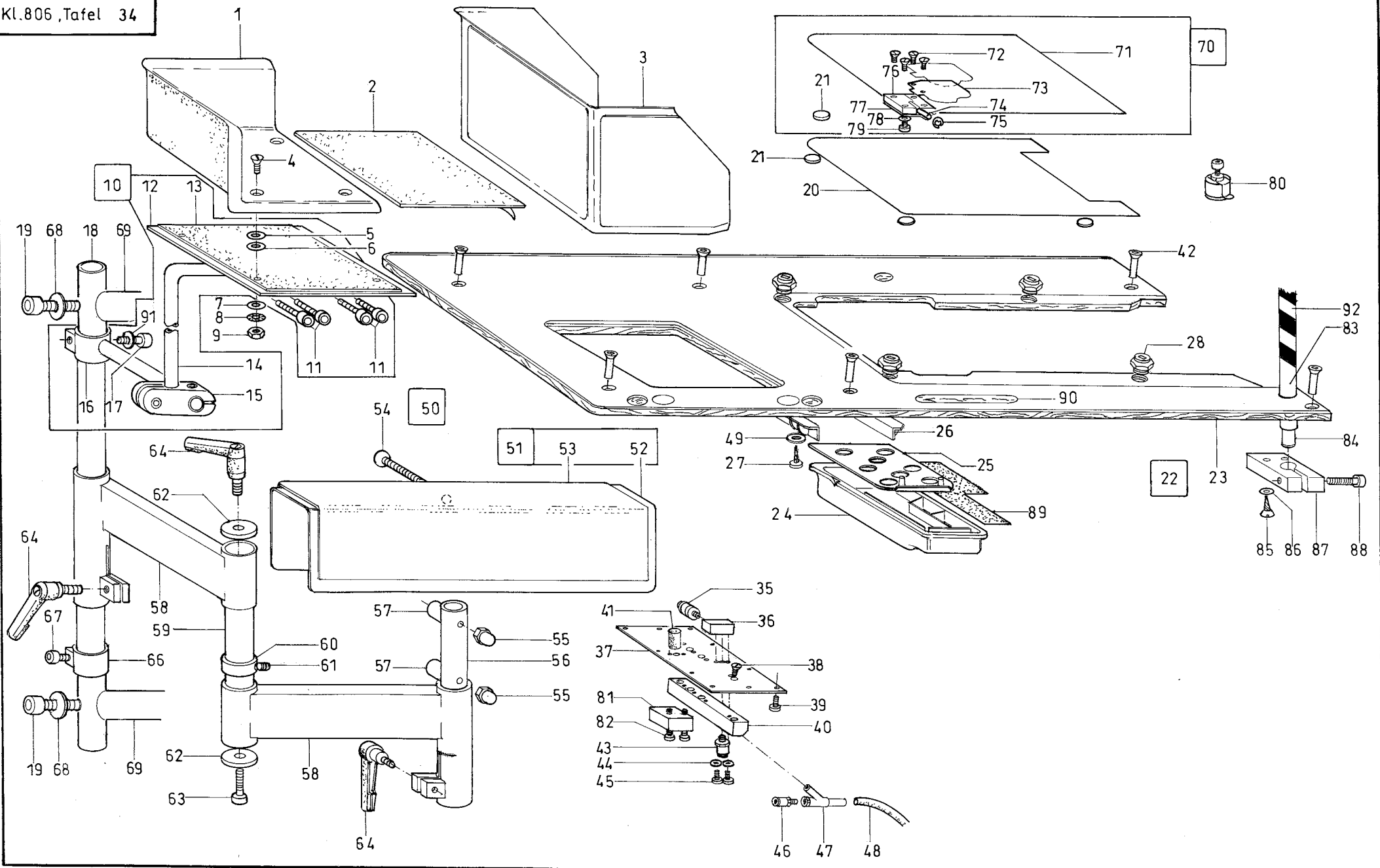
Tafel/table 033

| Pos. | Teile Nr.   | Benennung      | Denomination      |
|------|-------------|----------------|-------------------|
| 61   | 9231 110107 | 6Kt. Mutter    | hexagonal nut     |
| 62   | 0806 400980 | Winkel         | angle             |
| 63   | 0806 401300 | Platte         | plate             |
| 64   | 9203 123687 | Flachkopfschr. | Countersunk screw |
| 65   | 9231 110197 | 6Kt. Mutter    | hexagonal nut     |

---

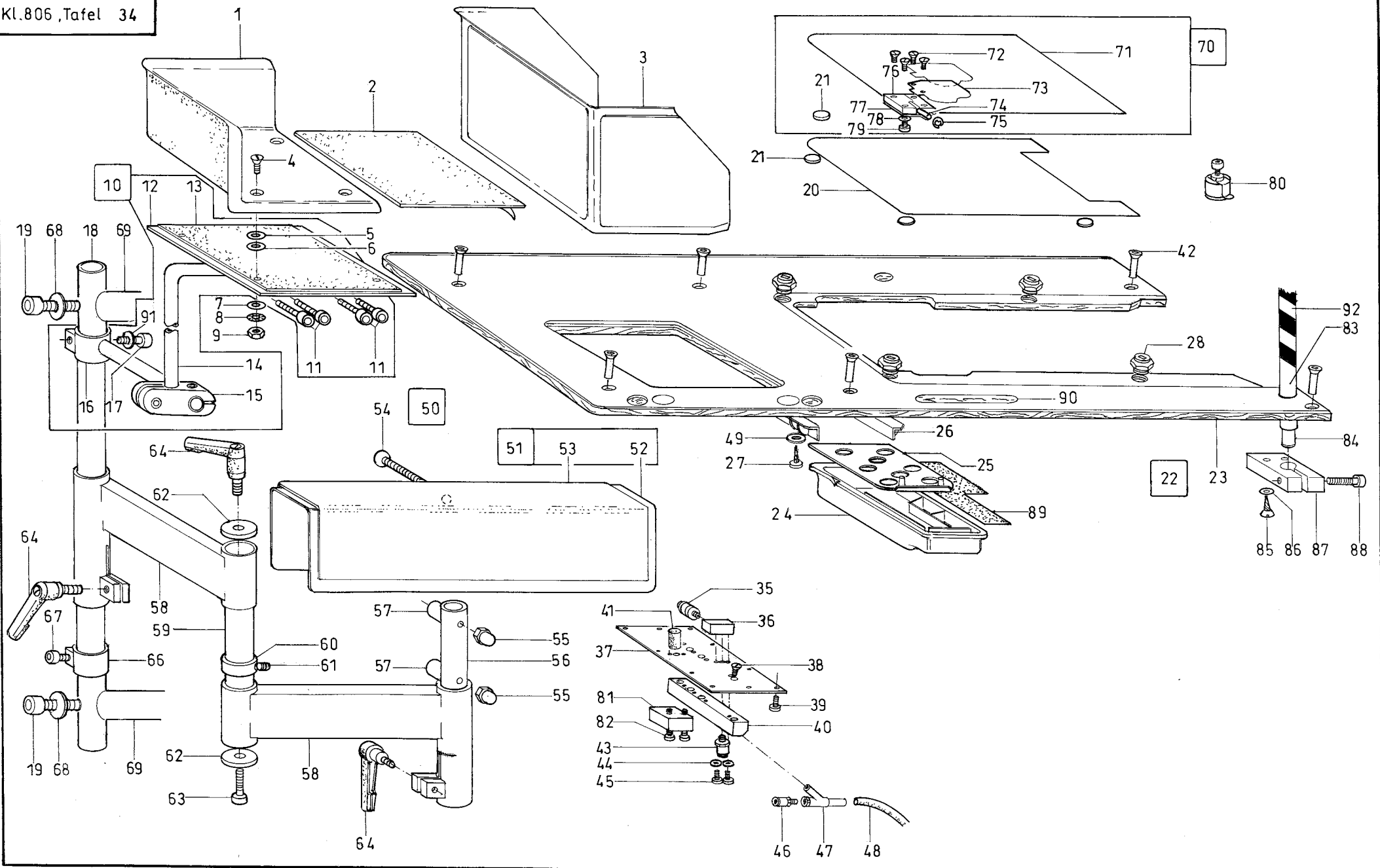






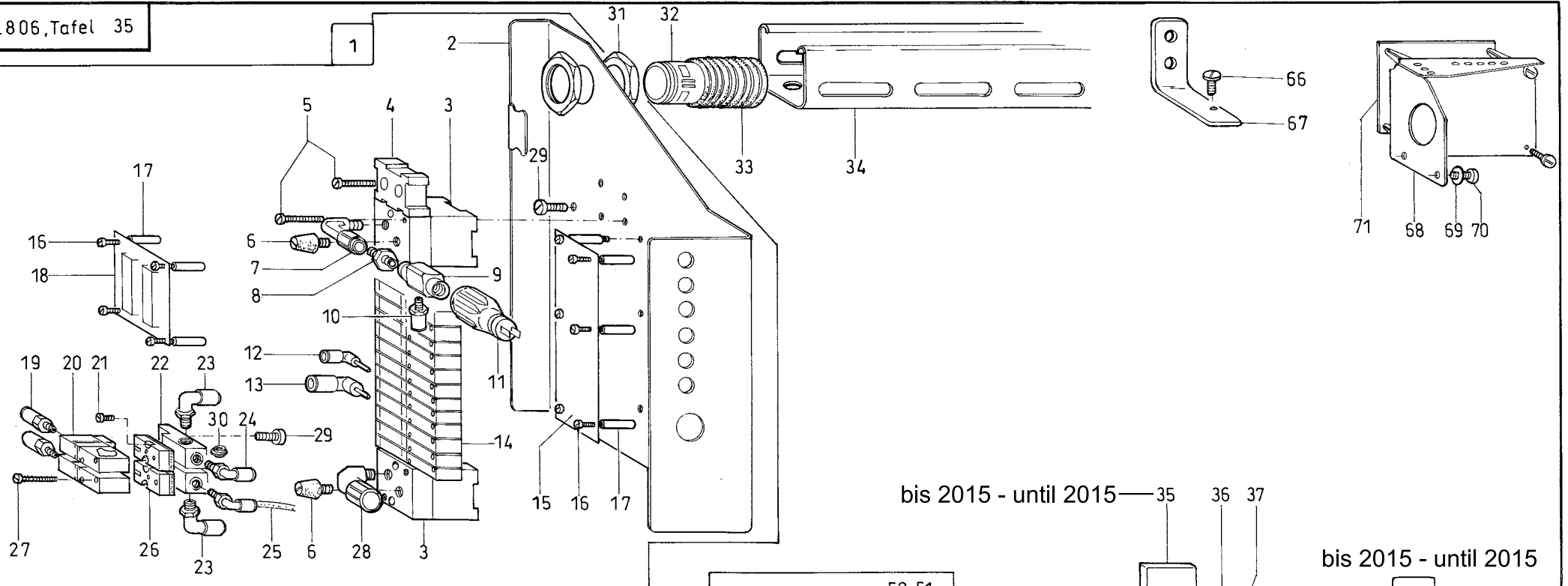
| Pos. | Teile-Nr.   | Benennung   | Denomination   |
|------|-------------|---|--|
|      |             | TISCHPLATTE,<br>TASCHENABLAGE                                     | TABLE PLATE,<br>SUPPORT PLATE                                    |
| 1    | 0805 401500 | TASCHENABLAGE<br>(NUR KL.806 - 111)                               | pocket tray<br>(only cl.806 - 111)                               |
| 2    | 0801 420400 | HAFTMATTE   | rubber mat   |
| 3    | 0805 402710 | ABLAGE<br>(NUR KL. 806 - 111)                                     | tray<br>(only cl. 806 - 111)                                     |
| 4    | 9203 313107 | SENKSCHR.   | sunk screw   |
| 5    | 0026 140440 | SCHEIBE   | disc   |
| 6    | 9330 900097 | SCHEIBE   | disc   |
| 7    | 9330 000067 | SCHEIBE   | disc   |
| 8    | 0894 450368 | FAECHERSCHEIBE  | disc   |
| 9    | 9231 110057 | 6 KT. MUTTER  | hexagonal nut  |
| 10   | 0806 400704 | TASCHENABLAGE K<br>(KI. 806-111,-121)<br>(MIT POS.11-17)          | pocket tray cpl.<br>(cl. 806-111,-121)<br>(with pos.11-17)       |
| 10   | 0806 405144 | TASCHENABLAGE K.<br>(KL. 806-521)<br>(MIT POS. 4, 7-9, 11-17, 91) | pocket tray cpl.<br>(cl.806-521)<br>(wit pos. 4, 7-9, 11-17, 91) |
| 11   | 9202 002517 | ZYL. SCHR.  | cyl. screw   |
| 12   | 0806 400683 | PLATTE V  | plate  |
| 13   | 0801 420400 | HAFTMATTE   | rubber mat   |
| 14   | 0806 400690 | ROHR  | pipe   |
| 15   | 9050 040008 | KLEMME,KREUZ  | clamp  |
| 16   | 0806 400773 | AUFNAHME V  | reception  |
| 17   | 9202 003317 | ZYL. SCHR.  | cyl. screw   |
| 18   | 0794 000025 | HALTEROHR   | holding tube   |
| 19   | 9202 003767 | ZYL. SCHR.  | cyl. screw   |
| 20   | 0805 400860 | STICHPLATTE<br>(NUR KL.271)                                       | throat plate<br>(only cl.271)                                    |
| 21   | 0805 402970 | SCHEIBE   | disc   |
| 22   | 0806 400094 | TISCHPLATTE K<br>(NUR KL. 806 - 111)<br>(MIT POS.23-34)           | table plate cpl.<br>(only cl. 806 - 111)<br>(with pos. 23-34)    |
| 22   | 0806 400104 | TISCHPLATTE K<br>(NUR KL. 806 - 121)                              | table plate cpl.<br>(only cl. 806 - 121)                         |

| Pos. | Teile-Nr.   | Benennung                          | Denomination                        |
|------|-------------|------------------------------------|-------------------------------------|
|      |             | (MIT POS.23-34)                    | (with pos. 23-34)                   |
| 23   | 0806 400090 | TISCHPLATTE<br>(NUR KL. 806 - 111) | table plate<br>(only cl. 806 - 111) |
| 23   | 0806 400100 | TISCHPLATTE<br>(NUR KL. 806 - 121) | table plate<br>(only cl. 806 - 121) |
| 24   | 0700 000043 | SCHUBKASTEN                        | drawer                              |
| 25   | 0700 000045 | PLATTE                             | plate                               |
| 26   | 0700 000044 | FUEHRUNGSLEISTE                    | guide bar                           |
| 27   | 0558 001596 | LI-BLECHSCHR.                      | screw                               |
| 28   | 0999 190364 | MAGNETVERSCHL.                     | magnet lock                         |
| 29   | 0806 401920 | PLATTE                             | plate                               |
| 30   | 0993 393217 | RAENDELSCHR.                       | knurled screw                       |
| 31   | 0578 020738 | INJEKTOR V                         | injector                            |
| 32   | 0999 240384 | GD-E -VERSCHR.                     | coupling                            |
| 33   | 0805 400220 | HALTER                             | holder                              |
| 34   | 9203 313967 | SENKSCHR.                          | sunk screw                          |
| 35   | 9790 210050 | KUPPL. DOSE                        | coupling socket                     |
| 36   | 0805 402280 | KLOBEN                             | block                               |
| 37   | 0805 402310 | PLATTE<br>(NUR KL. 806 - 121)      | plate<br>(only cl. 806 - 121)       |
| 37   | 0806 401920 | PLATTE<br>(NUR KL.806 -111)        | plate<br>(only cl. 806 - 111)       |
| 38   | 9203 313967 | SENKSCHR.                          | sunk screw                          |
| 39   | 0993 393217 | RAENDELSCHR.                       | knurled screw                       |
| 40   | 0805 400220 | HALTER                             | holder                              |
| 41   | 0805 402290 | STOESSEL                           | tappet                              |
| 42   | 9202 101013 | SENKSCHR.                          | sunk screw                          |
| 43   | 9790 200000 | VERSCHR.GD-E                       | coupling                            |
| 44   | 9330 000097 | SCHEIBE                            | disc                                |
| 45   | 9203 003967 | ZYL. SCHR.                         | cyl. screw                          |
| 46   | 0999 240384 | GD-E -VERSCHR.                     | coupling                            |
| 47   | 0578 020738 | INJEKTOR                           | injector                            |
| 48   | 0699 979123 | SCHLAUCH                           | hose                                |
| 49   | 9330 000087 | SCHEIBE                            | disc                                |
| 50   | 0806 400804 | ABLAGE K                           | tray cpl.                           |
| 51   | 0806 400843 | STOFFABLAGE V<br>(MIT POS.52,53)   | fabric tray<br>(with pos. 52,53)    |

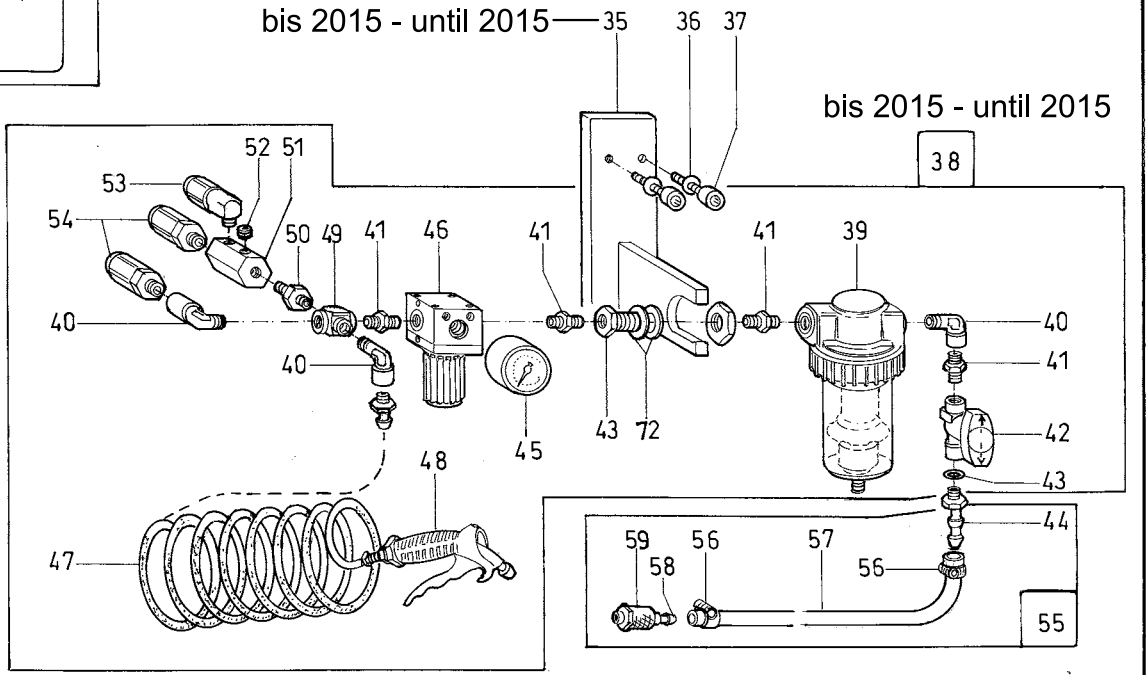
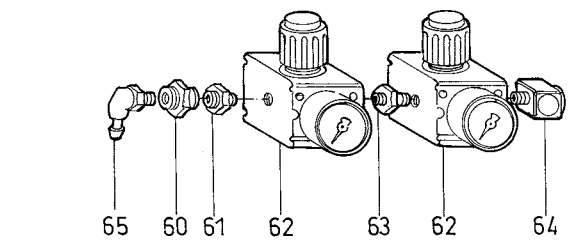


| Pos. | Teile-Nr.        | Benennung  | Denomination   |
|------|------------------|--|--|
| 52   | 0806 400830      | U-BLECH  | U- plate   |
| 53   | 0002 008323 5600 | WEBBAUMBELAG   | lining 1m  |
| 54   | 9202 003407      | ZYL. SCHR.   | cyl. screw   |
| 55   | 0942 004574      | HUTMUTTER  | capnut   |
| 56   | 0806 400810      | ROHR   | pipe   |
| 57   | 0806 400820      | HUELSE   | bushing  |
| 58   | 0793 069032      | SCHWENKARM V   | pivot arm  |
| 59   | 0806 400780      | ACHSE  | axle   |
| 60   | 9351 000337      | STELLRING  | set-ring, adjusting  |
| 61   | 0558 000305 A    | SPANNSTIFT   | pin  |
| 62   | 0742 003040      | SCHEIBE  | disc   |
| 63   | 9202 003327      | ZYL. SCHR.   | cyl. screw   |
| 64   | 0742 007340      | KIPP-KLEMMHEBEL  | clamping lever   |
| 66   | 0742 003023      | STELLRING V  | adj ring   |
| 67   | 9202 003318      | ZYL SCHR.  | cyl.screw  |
| 68   | 9330 000137      | SCHEIBE  | disc   |
| 69   | 0806 400790      | HALTEKLOBEN  | holdingblock   |
| 70   | 0805 402914      | STICHPLATTE K<br>(NUR KL. 806 - 111)<br>(MIT POS.21,71-79) | throat plate<br>(only cl. 806 - 111)<br>(with pos. 21,71-79) |
| 71   | 0805 402913      | STICHPLATTE  | throat plate   |
| 72   | 9203 313047      | SENKSCHR.  | sunk screw   |
| 73   | 0805 402920      | KLAPPE   | flap, latch  |
| 74   | 0504 170092      | STEBOLZEN  | bolt   |
| 75   | 9357 000060      | SICH. SCHEIBE  | fastennig disc   |
| 76   | 0805 402930      | SCHARNIER  | hinge  |
| 77   | 0805 402940      | FEDERBLECH   | spring plate   |
| 78   | 9330 900077      | SCHEIBE  | disc   |
| 79   | 9203 003027      | ZYL. SCHR.   | cyl. screw   |
| 80   | 0367 250044      | SPULENAUSHEBER   | lever bar  |
| 81   | 0999 220854      | ZYLINDER,EINF.   | cylinder   |
| 82   | 9203 003117      | ZYL. SCHR.   | cyl. screw   |
| 83   | 0806 401270      | BUEGEL   | bow  |
| 84   | 9301 103801      | ZYL. STIFT   | cylinder pin   |
| 85   | 9206 200067      | BLECHSCHR.   | screw  |
| 86   | 9330 000107      | SCHEIBE  | disc   |
| 87   | 0973 401673      | LAGERBOCK  | fit bracket  |

| Pos. | Teile-Nr.        | Benennung       | Denomination |
|------|------------------|-----------------|--------------|
| 88   | 9202 002927      | ZYL. SCHR.      | cyl. screw   |
| 89   | 0700 000050      | EINLAGE         | insert       |
| 90   | 0805 480860      | SCHALTBLECH     | switch plate |
| 91   | 9330 000127      | SCHEIBE         | washer       |
| 92   | 0002 009022 9500 | MARKIERUNGSBAND | mark tape    |

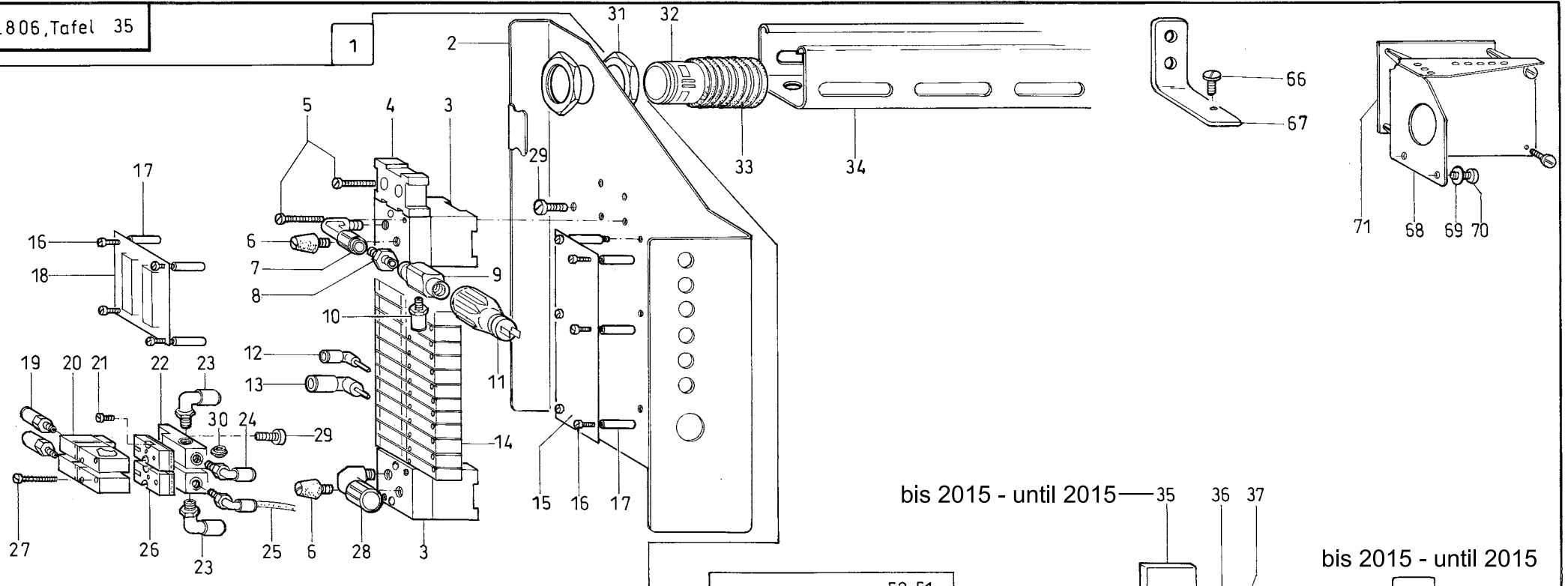


bis 2015 - until 2015



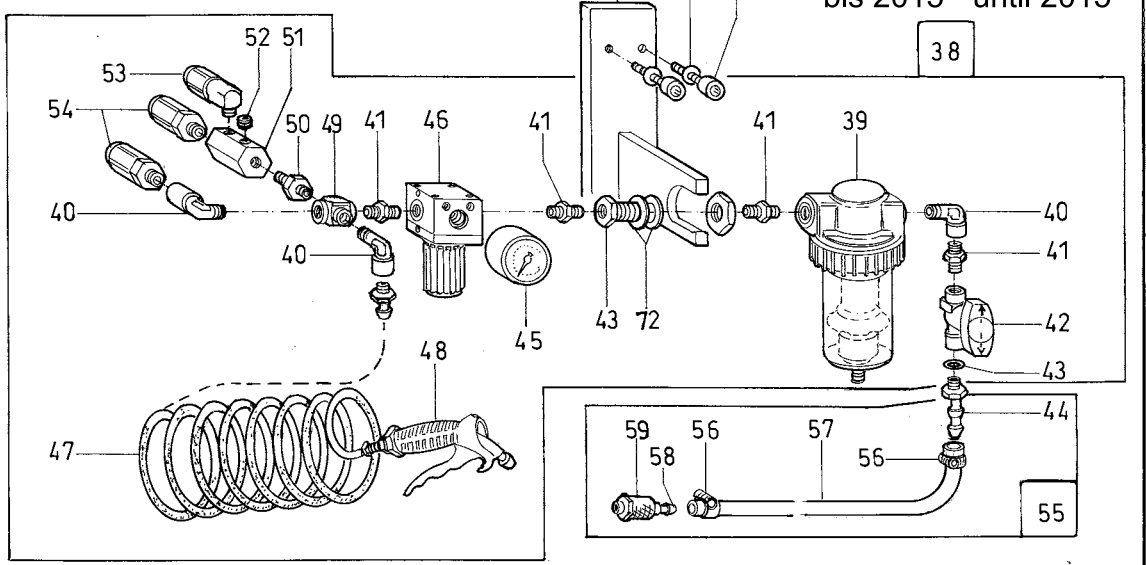
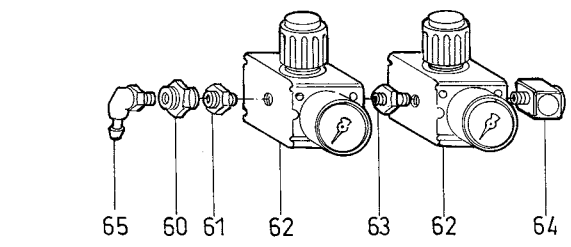
| Pos. | Teile-Nr.   | Benennung                         | Denomination                        |
|------|-------------|-----------------------------------|-------------------------------------|
|      |             | PNEUMATIK                         | PNEUMATIC                           |
| 1    | 9750 806014 | VENTILEINHEIT K<br>(MIT POS.2-30) | valve unit cpl.<br>(with pos. 2-30) |
| 2    | 9751 000014 | WINKEL                            | angle                               |
| 3    | 9710 900012 | ANSCHLUSSBLOCK                    | connection block                    |
| 4    | 9710 900013 | ABSCHLUSSBLOCK                    | connection block                    |
| 5    | 9203 003167 | ZYL. SCHR.                        | cyl. screw                          |
| 6    | 9710 982005 | SCHALLDAEMPFER                    | sound absorber                      |
| 7    | 9792 102000 | WI-STUECK                         | coupling                            |
| 8    | 0999 240302 | DOPPELNIPPEL                      | doublenipple                        |
| 9    | 0999 240305 | VERT. BLOCK                       | distributor                         |
| 10   | 0999 240384 | GD-E -VERSCHR.                    | coupling                            |
| 11   | 0999 220829 | DRUCKSCHALTER                     | valve                               |
| 12   | 9790 060101 | VERBINDUNG                        | connection                          |
| 13   | 9790 060102 | VERBINDUNG                        | connection                          |
| 14   | 9710 061202 | VENTIL,MAGNET                     | valve magnet                        |
| 15   | 9850 001016 | LEITERPLATTE K                    | pcb                                 |
| 16   | 9203 003727 | ZYL. SCHR.                        | cyl. screw                          |
| 17   | 9830 501025 | DISTANZHUELSE                     | distance sleeve                     |
| 18   | 9850 805006 | LEITERPLATTE K                    | pcb                                 |
| 19   | 9790 200000 | VERSCHR.GD-E                      | coupling                            |
| 20   | 9710 041001 | VENTIL,PNEUM.                     | valve                               |
| 21   | 9203 112498 | FLACHKOPFSCHR.                    | countersunk screw                   |
| 22   | 9710 900021 | ANSCHLUSSPLATTE                   | plate                               |
| 23   | 0999 240392 | WI-E-VERSCHR.                     | coupling                            |
| 24   | 9790 201001 | WI-E -VERSCHR.                    | coupling                            |
| 25   | 9731 005004 | SCHLAUCH                          | hose                                |
| 26   | 9710 900023 | ADAPTER                           | adapter                             |
| 27   | 9203 001917 | ZYL. SCHR.                        | cyl. screw                          |
| 28   | 0797 002302 | VERSCHRAUBUNG                     | coupling                            |
| 29   | 9203 003657 | ZYL. SCHR                         | cyl.screw                           |
| 30   | 9710 900001 | STECKHUELSE                       | receptacle                          |
| 31   | 9840 135005 | GEGENMUTTER                       | lock nut                            |
| 32   | 9840 710013 | VERSCHRAUBUNG                     | coupling                            |
| 33   | 9840 710004 | SCHLAUCH,SCHUTZ                   | hose                                |

| Pos. | Teile-Nr.     | Benennung                                  | Denomination                                     |
|------|---------------|--|--|
| 34   | 9840 960111   | KABELKANAL                                 | cable duct                                       |
| 35   | 0961 352343   | HALTER V                                   | holder   |
| 36   | 9330 000097   | SCHEIBE                                    | disc   |
| 37   | 9202 002497   | ZYL. SCHR.                                 | cyl. screw                                       |
| 38   | 9780 806001   | WARTUNGSEINHEIT K<br>(MIT POS.39-54,72,73) | maintenance unit cpl.<br>(with pos. 39-54,72,73) |
| 39   | 0999 220381   | FILTER                                     | filter   |
| 40   | 9792 102010   | WI-STUECK                                  | coupling   |
| 41   | 0999 240301   | DOPPELNIPPEL                               | double nipple                                    |
| 42   | 0999 220550   | VENTIL                                     | valve  |
| 43   | 9792 301020   | DICHTRING                                  | gasket ring                                      |
| 44   | 0744 001796   | SCHLAUCHTUELLE                             | hose socket                                      |
| 45   | 0797 000926   | MANOMETER                                  | pressure gauge                                   |
| 46   | 0999 220382   | DRUCKREGLER                                | press regulator                                  |
| 47   | 0797 003063   | PA-SPIRALSCHL.                             | hose   |
| 48   | 0744 009516   | AUSBLASPISTOLE                             | air pistol                                       |
| 49   | 0999 240339   | VERT. BLOCK                                | distributor                                      |
| 50   | 0999 240303   | DOPPELNIPPEL                               | double nipple                                    |
| 51   | 0805 402090   | VERTEILER                                  | distributor                                      |
| 52   | 9792 071010   | BLINDSTOPFEN                               | blind plug                                       |
| 53   | 0797 002302   | VERSCHRAUBUNG                              | coupling   |
| 54   | P121 000091   | SCHNELLVERSCHR.                            | coupling   |
| 55   | 0797 003031   | DRUCKLEITUNG K<br>(MIT POS.56-59)          | cable cpl<br>(with pos. 56-59)                   |
| 56   | 0742 002096   | IDEAL-SHELLE                               | hose clamp                                       |
| 57   | 9731 002001   | SCHLAUCH                                   | hose   |
| 58   | 0744 001793 B | KUPPL.STECKER                              | plug   |
| 59   | 0744 001793 A | KUPPLUNGSDOSE                              | coupling socket                                  |
| 60   | 0999 240341   | SCHOTTVERSCHR.                             | coupling   |
| 61   | 0999 240303   | DOPPELNIPPEL                               | doublenipple                                     |
| 62   | 0797 000902   | DRUCKREGLER                                | press regulator                                  |
| 63   | 0999 240301   | DOPPELNIPPEL                               | doublenipple                                     |
| 64   | 0744 001974   | VERSCHRAUBUNG                              | coupling   |
| 65   | 0797 002252   | L-STECKNIPPEL V                            | plug   |
| 66   | 9203 123687   | FLACHKOPFSCHR.                             | countersunk screw                                |
| 67   | 0806 402570   | WINKEL                                     | angle  |
| 68   | 0806 401950   | WINKEL                                     | angle  |



bis 2015 - until 2015

bis 2015 - until 2015



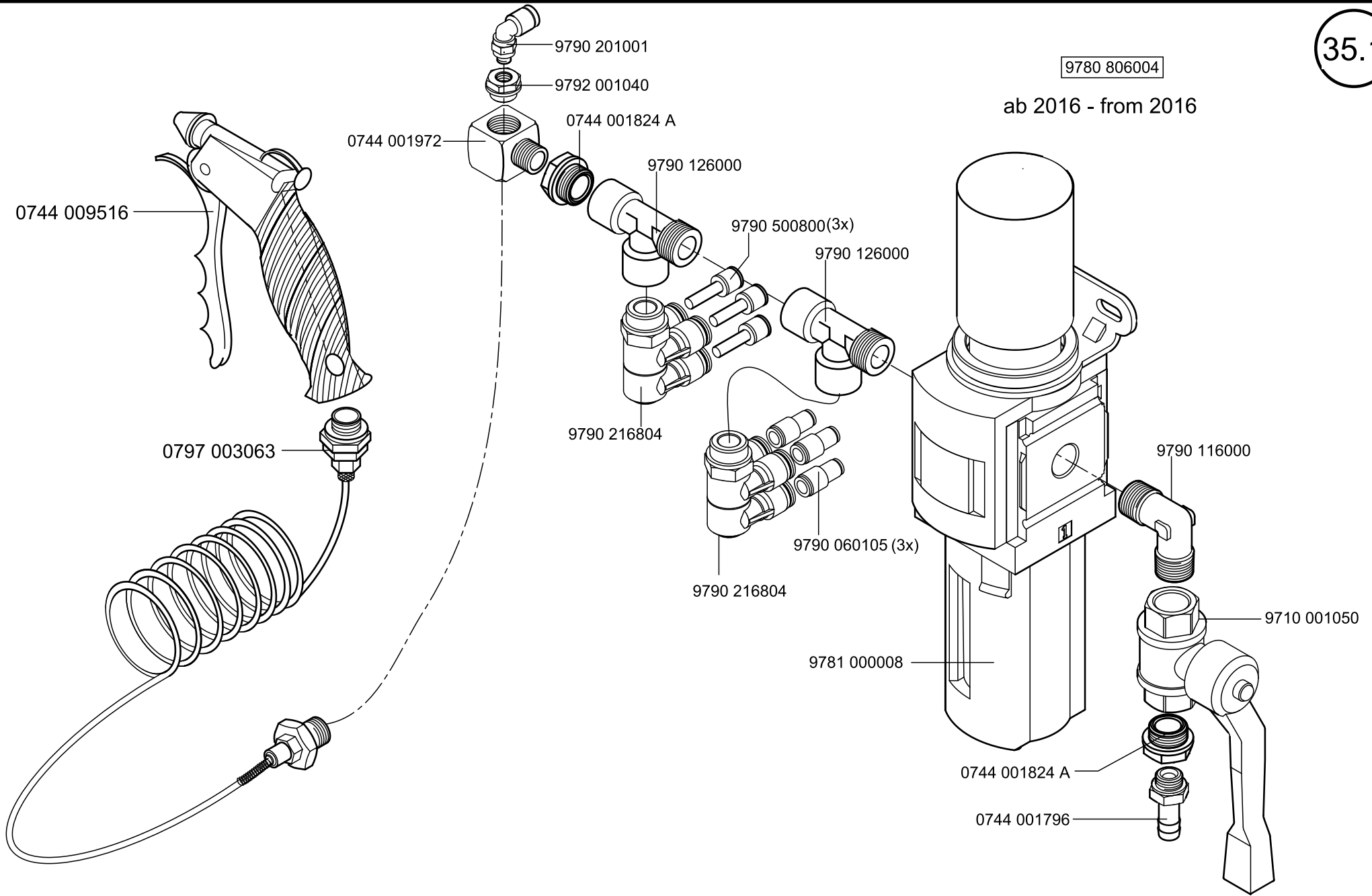
| Pos. | Teile-Nr.   | Benennung      | Denomination |
|------|-------------|----------------|--------------|
| 69   | 9330 000087 | SCHEIBE        | disc         |
| 70   | 9202 002077 | ZYL. SCHR.     | cyl. screw   |
| 71   | 9850 805006 | LEITERPLATTE K | pcb          |
| 72   | 9334 102270 | STUETZSCHEIBE  | support disc |
| 73   | 0999 240209 | SCHOTTVERSCHR. | valve        |

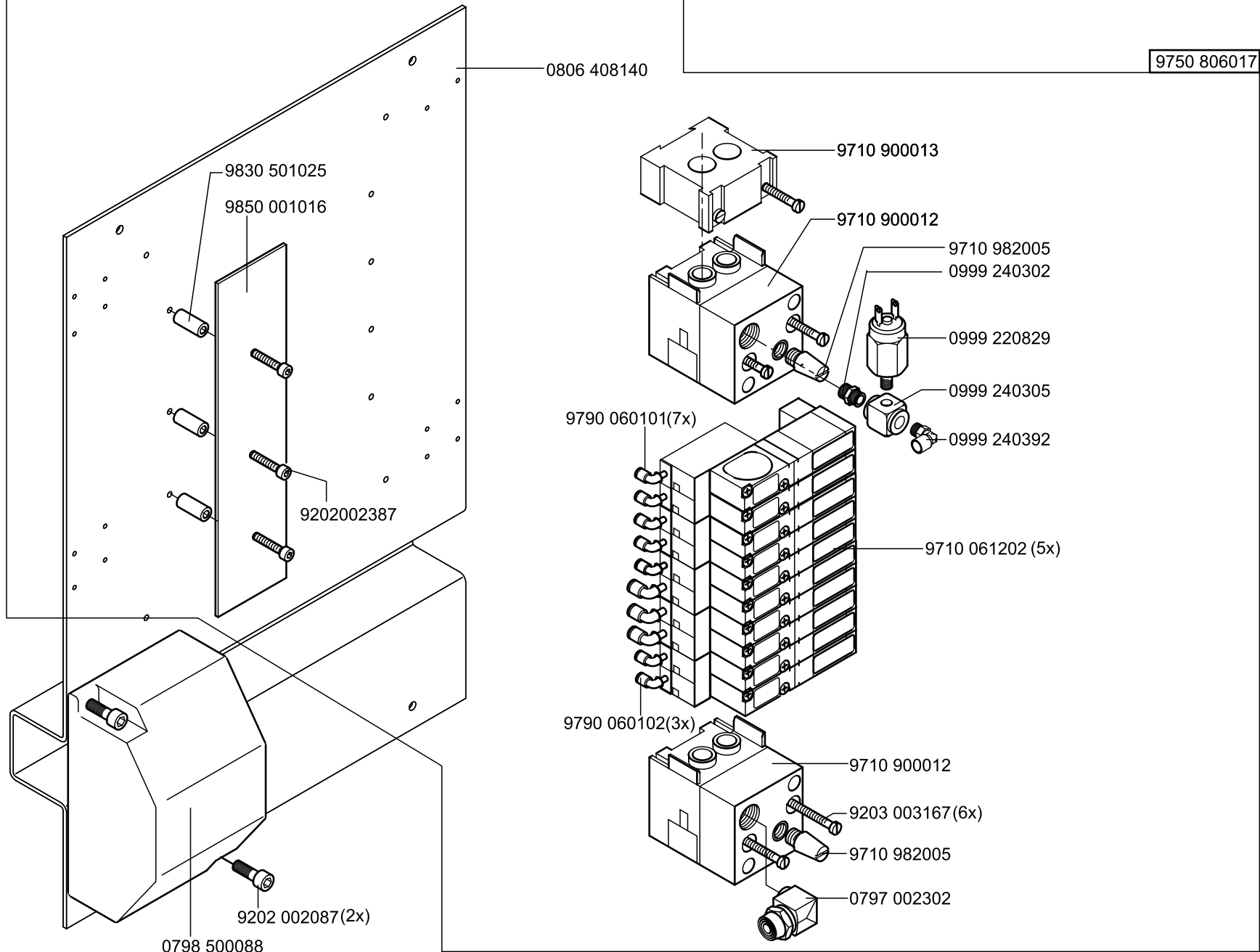
| Pos. | Teile-Nr. | Benennung | Denomination |
|------|-----------|-----------|--------------|
|------|-----------|-----------|--------------|

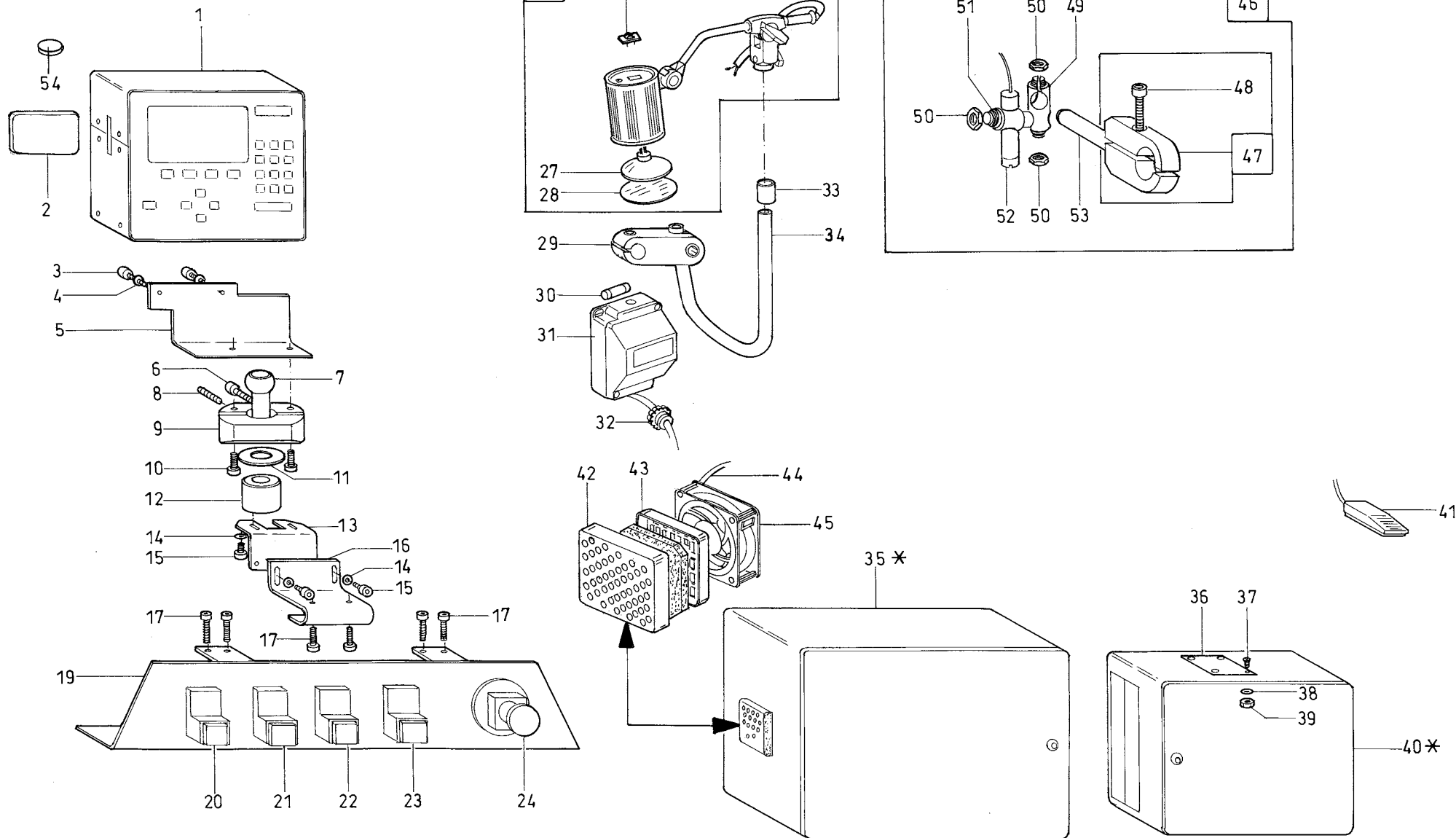


9780 806004

ab 2016 - from 2016







\* Einzelteile siehe Bauschaltplan / Details see interconnection-diagram

| Pos. | Teile-Nr.        | Benennung                             | Denomination                          |
|------|------------------|---------------------------------------|---------------------------------------|
|      |                  | BEDIENFELD, STEUERUNG,<br>NAEHLEUCHTE | CONTROL PANEL, CONTROL<br>SEWING LAMP |
| 1    | 9850 001024      | BEDIENFELD K                          | contr panel                           |
| 2    | 9805 791103      | RAM-CARD                              | ram- card                             |
| 3    | 9202 002067      | ZYL. SCHR.                            | cyl. screw                            |
| 4    | 9330 000087      | SCHEIBE                               | disc                                  |
| 5    | 0806 410440      | WINKEL                                | angle                                 |
| 6    | 9202 003328      | ZYL. SCHR.                            | cyl. screw                            |
| 7    | 0806 410410      | KALOTTE                               | calotte                               |
| 8    | 9205 102878      | GEW. STIFT                            | threaded pin                          |
| 9    | 0806 410400      | AUFNAHME                              | reception                             |
| 10   | 9202 002108      | ZYL. SCHR.                            | cyl. screw                            |
| 11   | 0806 410420      | SCHEIBE                               | disc                                  |
| 12   | 0806 410430      | AUFNAHME                              | reception                             |
| 13   | 0806 410460      | WINKEL                                | angle                                 |
| 14   | 9330 000097      | SCHEIBE                               | disc                                  |
| 15   | 9202 002477      | ZYL. SCHR.                            | cyl. screw                            |
| 16   | 0806 410450      | HALTER                                | holder                                |
| 17   | 9202 002517      | ZYL. SCHR.                            | cyl. screw                            |
| 19   | 0806 410273      | BLENDE V                              | screen                                |
| 20   | 9815 101001      | TASTE,DRUCK                           | key                                   |
| 20   | 9815 101076      | SCHALTELEMENT                         | switch                                |
| 21   | 9815 101025      | TASTE,DRUCK                           | key                                   |
| 21   | 9815 101075      | SCHALTELEMENT                         | switch                                |
| 21   | 9822 633000      | LAMPE<br>(o. Abb.)                    | lamp                                  |
| 22   | 9815 101000      | TASTE,DRUCK                           | key                                   |
| 22   | 9815 101076      | SCHALTELEMENT                         | switch                                |
| 23   | 9822 633000      | LAMPE                                 | lamp                                  |
| 24   | 9815 101002      | TASTE,NOT-AUS                         | key                                   |
| 25   | 9822 510001      | NAEHLEUCHTE<br>(MIT POS.26-28)        | sewing lamp<br>(with pos. 26-28)      |
| 26   | 0002 007504 9500 | WIPPSCHALTER                          | switch                                |
| 27   | 9822 642024      | HALOGENLAMPE                          | lamp                                  |
| 28   | 9822 510012      | GLASSCHEIBE                           | pane                                  |

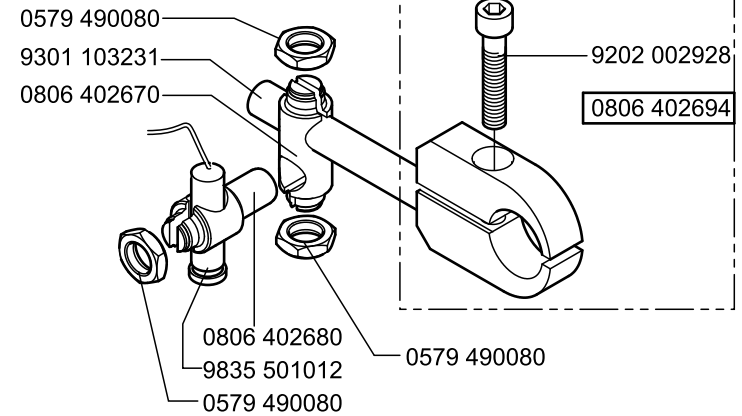
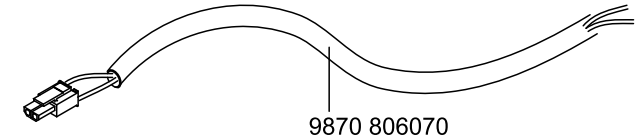
| Pos. | Teile-Nr.   | Benennung                            | Denomination                      |
|------|-------------|--------------------------------------|-----------------------------------|
| 29   | 9050 040008 | KLEMME,KREUZ                         | clamp                             |
| 30   | 9825 810302 | SICHERUNG                            | savety                            |
| 31   | 0798 500088 | TRAFO,NAEHLICHT                      | transf 220/12v                    |
| 32   | 9840 133004 | WUERGENIPPEL                         | nipple                            |
| 33   | 0291 000025 | BUCHSE                               | bush                              |
| 34   | 0806 400460 | ROHR                                 | pipe                              |
| 35   | 9830 402032 | SCHALTSCHRANK                        | switchgear cubicle                |
| 36   | 0973 405090 | ABDECKUNG                            | cover                             |
| 37   | 9204 201827 | LINSENSCHR.                          | screw                             |
| 38   | 9330 000087 | SCHEIBE                              | disc                              |
| 39   | 9231 110057 | 6KT. MUTTER                          | hexagonal nut                     |
| 40   | 9830 402011 | SCHALTSCHRANK                        | switchgear cubicle                |
| 41   | 9880 806001 | FUSS-SCHALTER K                      | foot switch cpl.                  |
| 42   | 9800 551001 | AUSTRITTSFILTER                      | filter                            |
| 43   | 9800 551004 | SCHUTZGITTER                         | grid                              |
| 44   | 9840 502007 | LEITUNG,NETZ                         | cord                              |
| 45   | 9800 551000 | LUEFTER. AXIAL                       | filter                            |
| 46   | 0806 407614 | LEUCHTE, MARK. K<br>(MIT POS. 47-53) | lampe cpl.<br>(with pos. 47-53)   |
| 47   | 0806 402694 | AUFNAHME K<br>(MIT POS. 48)          | acceptance cpl.<br>(with pos. 48) |
| 48   | 9202 002928 | ZYL. SCHR.                           | cyl. screw                        |
| 49   | 0806 402670 | KLEMMSTUECK                          | clamping part                     |
| 50   | 0216 000103 | 6KT. MUTTER                          | hexagonal nut                     |
| 51   | 0806 402680 | KLEMMSTUECK                          | clamping part                     |
| 52   | 9835 501004 | LASER                                | laser                             |
| 53   | 9301 103201 | ZYL. STIFT                           | cyl. pin                          |
| 53   | 9835 001012 | NETZTEIL O. ABB.                     | main part                         |
| 53   | 9870 806022 | LEITUNGSSATZ O. ABB.                 | cord set                          |
| 54   | 9810 920003 | BATTERIE<br>(bis 11.2000)            | battery<br>(until 11.2000)        |
| 54   | 9810 920004 | BATTERIE<br>(ab 12.2000)             | battery<br>(from 12.2000)         |

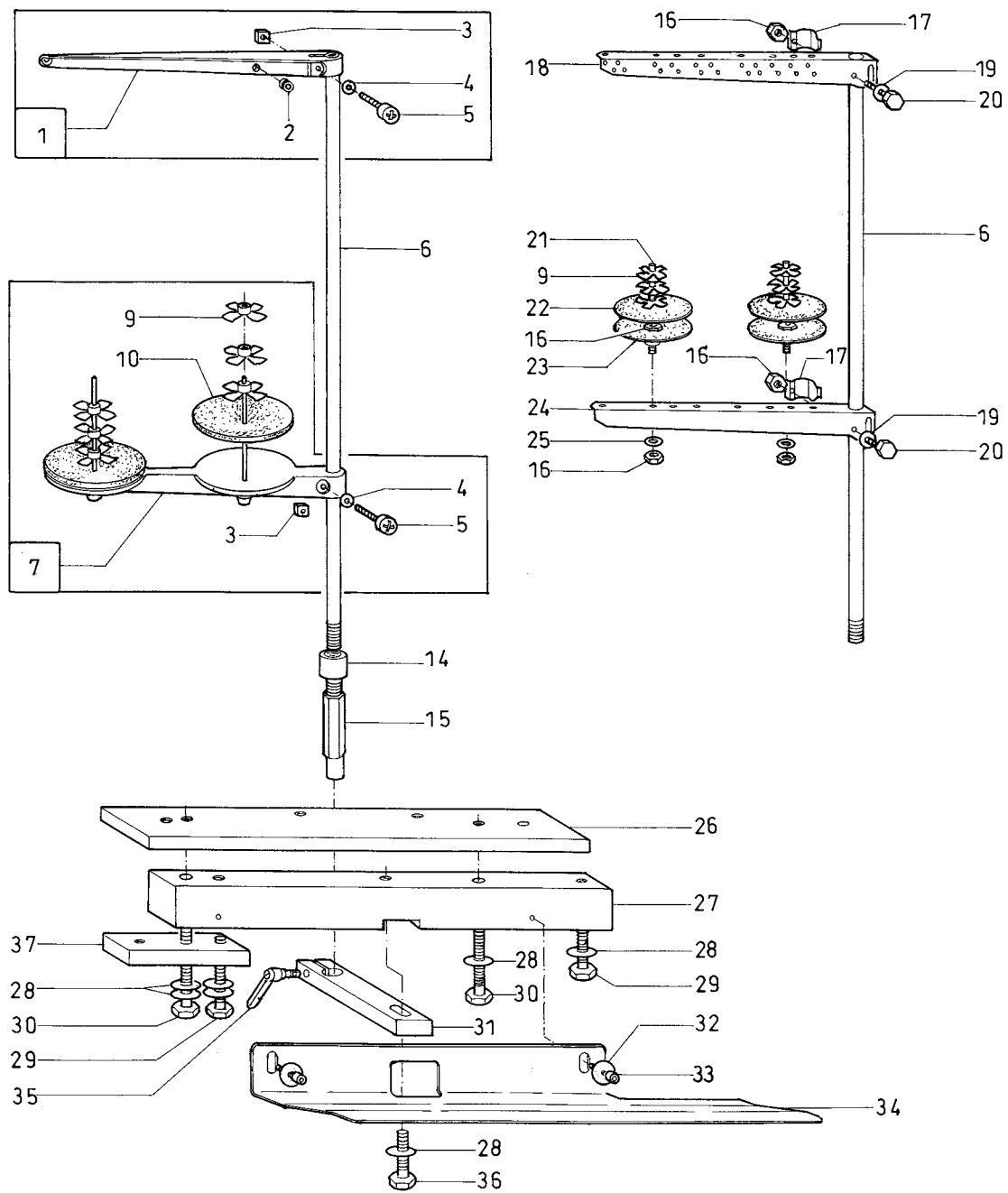
9850 806011



36.1

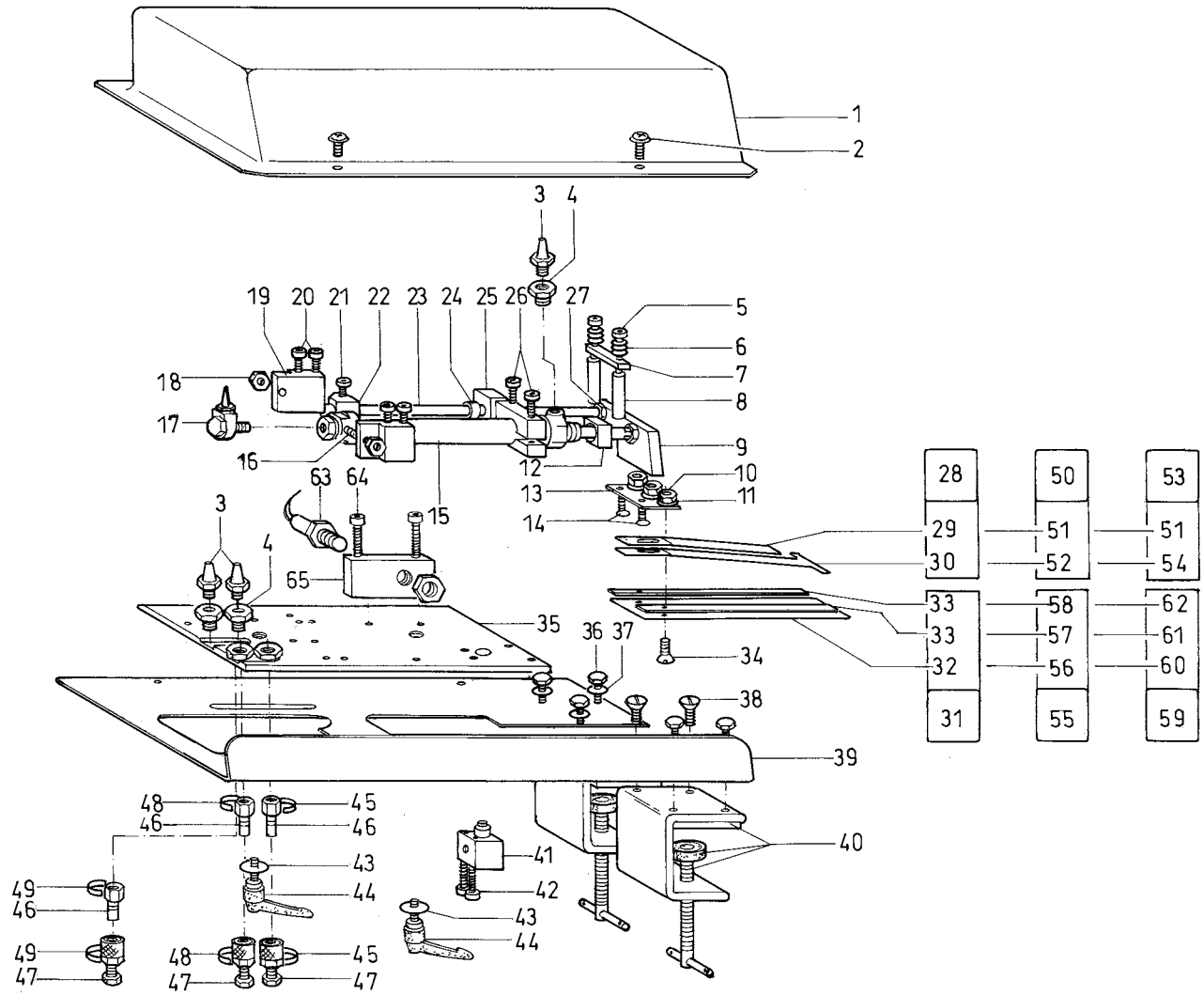
9880 806008





| Pos. | Teile-Nr.     | Benennung                            | Denomination                           |
|------|---------------|--------------------------------------|--|
|      |               | GRUNDTYPE                            | BASE TYPE                              |
| 1    | 0791 001200   | FADENFUEHRUNG K<br>(MIT POS.2-5)     | thread guide cpl.<br>(with pos. 2-5)   |
| 2    | 0213 000759   | ROHRNIET                             | niete                                  |
| 3    | 0791 001095   | MUTTER                               | nut                                    |
| 4    | 0791 001093 A | SCHEIBE                              | disc                                   |
| 5    | 9204 202037   | LINSENSCHR.                          | screw                                  |
| 6    | 0791 001081   | GARNST.ROHR                          | yarn supp tube                         |
| 7    | 0791 001090   | GARNHALTEARM K<br>(MIT POS.3-5,9,10) | yarn hoder arm<br>(with pos. 3-5,9,10) |
| 9    | 0077 110230   | ZENTRIERSTUECK                       | centering piece                        |
| 10   | 0077 110220   | AUFLAGE                              | support                                |
| 14   | 0990 240057   | MUFFE                                | sleeve, socket                         |
| 15   | 0806 401330   | STEBOLZEN                            | stad                                   |
| 16   | 9231 110127   | 6KT.MUTTER                           | hexagonal nut                          |
| 17   | 0791 001113   | SCHELLE                              | clip                                   |
| 18   | 0791 001112   | FADENFUEHRUNG                        | thread guide                           |
| 19   | 0791 001093 A | SCHEIBE                              | disc                                   |
| 20   | 9201 113317   | 6KT.SCHR.                            | hexagonal screw                        |
| 21   | 0396 111050   | GARNR.STIFT                          | roller pin                             |
| 22   | 0396 111320   | AUFLAGE                              | support                                |
| 23   | 0477 250160   | GARNR.TELLER                         | yarn disc                              |
| 24   | 0791 001111   | TELLERHALTER                         | holder                                 |
| 63   | MG43 002510   | SCHEIBE                              | disc                                   |
| 26   | 0805 420290   | LEISTE                               | rail                                   |
| 27   | 0806 401940   | LEISTE                               | rail                                   |
| 28   | 9330 000127   | SCHEIBE                              | disc                                   |
| 29   | 9201 114217   | 6KT.SCHR.                            | hexagonal screw                        |
| 30   | 9201 114228   | 6KT.SCHR.                            | hexagonal screw                        |
| 31   | 0806 401310   | KLEMMKLOBEN                          | block                                  |
| 32   | 9330 900117   | SCHEIBE                              | disc                                   |
| 33   | 9202 002887   | ZYL.SCHR.                            | cyl. screw                             |
| 34   | 0806 401320   | WINKEL                               | angle                                  |
| 35   | 0746 011028   | HEBEL                                | lever                                  |
| 36   | 9201 114177   | 6KT.SCHR.                            | hexagonal screw                        |

| Pos. | Teile-Nr.   | Benennung  | Denomination   |
|------|-------------|------------|----------------|
| 37   | 0806 401930 | GEW.PLATTE | threaded plate |



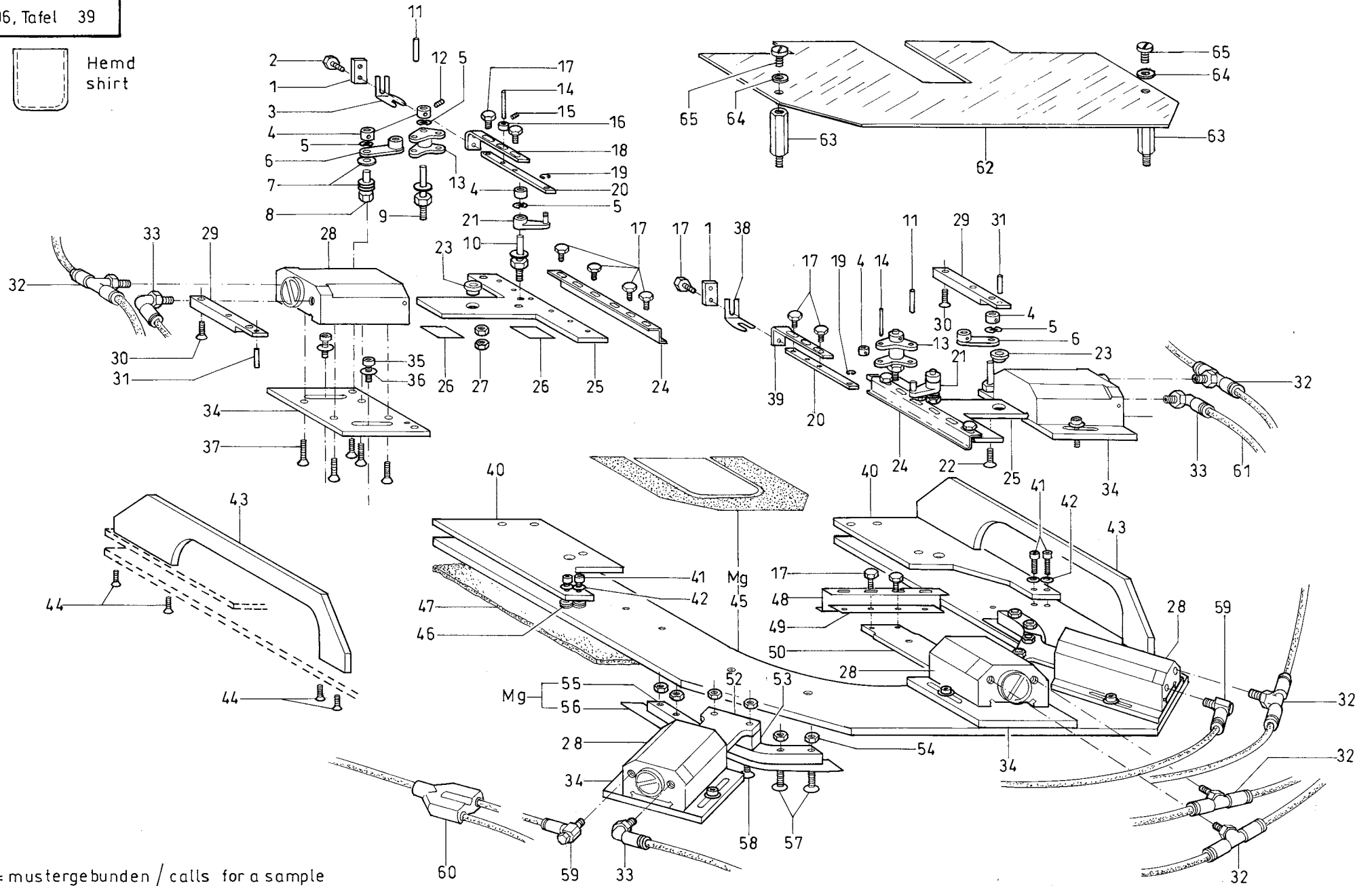


| Pos. | Teile-Nr.   | Benennung                               | Denomination                             |
|------|-------------|---|--|
|      |             | ETIKETTENEINLEGER                       | LABEL DEVICE                             |
| 1    | 0805 411860 | ABDECKUNG                               | cover                                    |
| 2    | 0994 850478 | LI.FLANSCHK.SCH                         | screw                                    |
| 3    | 0999 240389 | SCHLAUCHTUELLE                          | hose socket                              |
| 4    | 9792 001030 | REDUZIERNIPPEL                          | reducing nipple                          |
| 5    | 9202 002568 | ZYL.SCHR.                               | cyl. screw                               |
| 6    | 9330 000097 | SCHEIBE                                 | disc                                     |
| 7    | 0805 411770 | LASCHE                                  | shackle                                  |
| 8    | 0805 411780 | ROHR                                    | pipe                                     |
| 9    | 0805 411800 | PLATTE                                  | plate                                    |
| 10   | 9234 000057 | 6KT.MUTTER                              | hexagonal nut                            |
| 11   | 9330 000067 | SCHEIBE                                 | disc                                     |
| 12   | 0805 411760 | MUTTER                                  | nut                                      |
| 13   | 0805 411810 | PLATTE                                  | plate                                    |
| 14   | 9203 313067 | SENKSCHR.                               | sunk screw                               |
| 15   | 0999 220155 | ZYLINDER,DOPPEL                         | cylinder,double                          |
| 16   | 0993 271297 | GEW.STIFT                               | threaded pin                             |
| 17   | 9790 101010 | L-SCHW.VERSCHR.                         | pivot coupling                           |
| 18   | 9231 000387 | 6KT.MUTTER                              | hexagonal nut                            |
| 19   | 0805 411710 | BOCK                                    | support                                  |
| 20   | 9202 002537 | ZYL.SCHR.                               | cyl. screw                               |
| 21   | 9202 002477 | ZYL.SCHR.                               | cyl. screw                               |
| 22   | 0805 411730 | NOCKEN                                  | cam, tappet                              |
| 23   | 0805 411750 | STANGE                                  | bar                                      |
| 24   | 0088 147170 | SINTERLAGER                             | sinter.bearing                           |
| 25   | 0805 411740 | KLEMMSTUECK                             | clamp piece                              |
| 26   | 9202 002517 | ZYL.SCHR.                               | cyl. screw                               |
| 27   | 9231 110137 | 6KT.MUTTER                              | hexagonal nut                            |
| 28   | 0805 411853 | KLEMMFEDER V (172mm)<br>(MIT POS.29,30) | lock spring (172mm)<br>(with pos. 29,30) |
| 29   | 0805 411840 | LEISTE                                  | rail                                     |
| 30   | 0805 411850 | KLEMMFEDER                              | lock spring                              |
| 31   | 0805 411823 | LEISTE V (174mm)<br>(MIT POS.32,33)     | reglet (174mm)<br>(with pos. 32,33)      |
| 32   | 0805 411820 | LEISTE                                  | rail                                     |

| Pos. | Teile-Nr.   | Benennung                                 | Denomination                              |
|------|-------------|---|---|
| 33   | 0805 411830 | LEISTE                                    | rail                                      |
| 34   | 9203 313067 | SENKSCHR.                                 | sunk screw                                |
| 35   | 0805 411700 | PLATTE                                    | plate                                     |
| 36   | 9201 112867 | 6KT.SCHR.                                 | hexagonal screw                           |
| 37   | 9330 000097 | SCHEIBE                                   | disc                                      |
| 38   | 9203 313967 | SENKSCHR.                                 | sunk screw                                |
| 39   | 0805 411790 | PLATTE                                    | plate                                     |
| 40   | 9822 510011 | TISCHKLEMME                               | table clamp                               |
| 41   | 9700 100022 | ZYLINDER,EINF.                            | cylinder                                  |
| 42   | 9203 003157 | ZYL.SCHR.                                 | cyl. screw                                |
| 43   | 9330 900117 | SCHEIBE                                   | disc                                      |
| 44   | 0999 210760 | KLEMMHEBEL                                | clamping lever                            |
| 45   | 0990 490242 | MARKIERUNGSBAND                           | markingtape                               |
| 46   | 0999 240412 | STECKTEIL                                 | connector                                 |
| 47   | 9790 210010 | KUPPL.TEIL                                | coupling part                             |
| 48   | 0990 490241 | MARKIERUNGSBAND                           | markingtape                               |
| 49   | 0990 490243 | MARKIERUNGSBAND                           | markingtape                               |
| 50   | 0805 412373 | KLEMMFEDER V (173 mm)<br>(MIT POS.51,52)  | lock spring (173 mm)<br>(with pos. 51,52) |
| 51   | 0805 412350 | LEISTE                                    | rail                                      |
| 52   | 0805 412360 | KLEMMFEDER                                | lock spring                               |
| 53   | 0805 412433 | KLEMMFEDER V (172,5mm)<br>(MIT POS.51,54) | lock spring (172 mm)<br>(with pos.51,54)  |
| 54   | 0805 412420 | KLEMMFEDER                                | lock spring                               |
| 55   | 0805 412473 | LEISTE V (175,5mm)<br>(MIT POS.56-58)     | reglet (175,5mm)<br>(with pos. 56-58)     |
| 56   | 0805 412440 | LEISTE                                    | rail                                      |
| 57   | 0805 412450 | LEISTE                                    | rail                                      |
| 58   | 0805 412460 | LEISTE                                    | rail                                      |
| 59   | 0805 412413 | LEISTE V (177mm)<br>(MIT POS.60-62)       | reglet (177mm)<br>(with pos. 60-62)       |
| 60   | 0805 412380 | LEISTE                                    | rail                                      |
| 61   | 0805 412390 | LEISTE                                    | rail                                      |
| 62   | 0805 412400 | LEISTE                                    | rail                                      |
| 63   | 0999 202390 | SCHALTER                                  | switch                                    |
| 64   | 9202 002537 | ZYL.SCHR.                                 | cyl. screw                                |
| 65   | 0805 411870 | BOCK                                      | frame                                     |



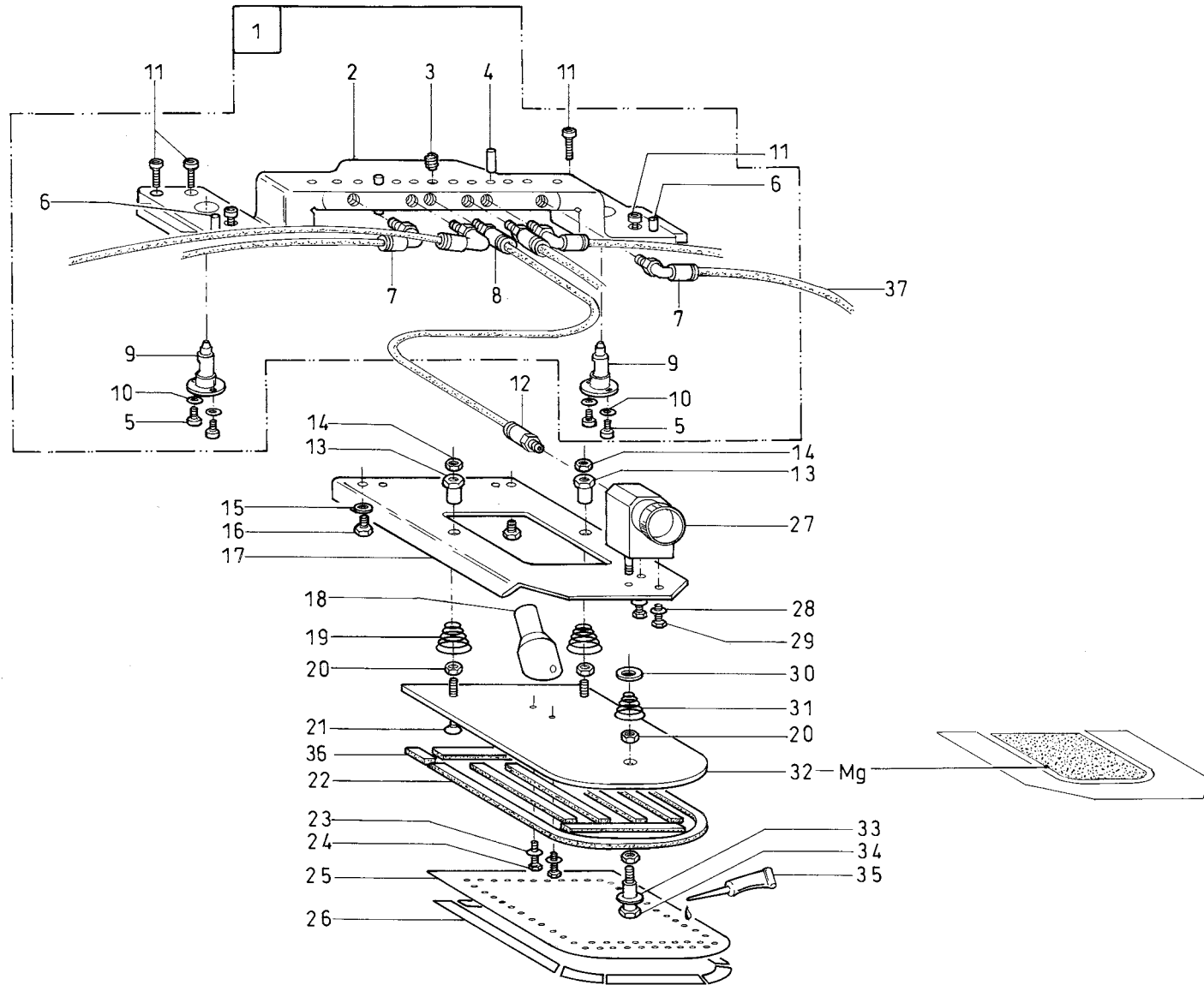
Hemd shirt



Mg= mustergebunden / calls for a sample

| Pos. | Teile-Nr.   | Benennung                                  | Denomination                                  |
|------|-------------|--|---|
|      |             | UMBUGSATZ (F10.../F15...)<br>KL. 806 - 121 | CREASING SET (F10.../F15...)<br>CL. 806 - 121 |
| 1    | 0804 411700 | PLATTE                                     | plate   |
| 2    | 9201 111227 | 6KT. SCHR.                                 | hexagonal screw                               |
| 3    | 0804 412260 | WINKELSCHIEBER                             | angle slide                                   |
| 4    | 0996 120367 | STELLRING                                  | set-ring, adjusting                           |
| 5    | 0893 230468 | FEDERSCHEIBE                               | spring disc                                   |
| 6    | 0805 410380 | LASCHE                                     | shackle                                       |
| 7    | 9330 000087 | SCHEIBE                                    | disc  |
| 8    | 0805 410400 | BOLZEN                                     | bolt, stud                                    |
| 9    | 0805 410410 | BOLZEN                                     | bolt, stud                                    |
| 10   | 0805 410420 | BOLZEN                                     | bolt, stud                                    |
| 11   | 9301 102203 | RGKPF. ZYL. STIFT                          | pin   |
| 12   | 0893 520720 | GEW. STIFT                                 | threaded pin                                  |
| 13   | 0805 410350 | GELENK                                     | joint   |
| 14   | 9301 101611 | ZYL. STIFT                                 | cylinder pin                                  |
| 15   | 9205 021818 | GEW. STIFT                                 | threaded pin                                  |
| 16   | 0996 120328 | STELLRING                                  | set-ring, adjusting                           |
| 17   | 9201 111227 | 6KT. SCHR.                                 | hexagonal screw                               |
| 18   | 0804 412273 | SCHIEBER V                                 | slide   |
| 19   | 9357 000040 | SICH. SCHEIBE                              | fastennig disc                                |
| 20   | 0805 410390 | LEISTE                                     | rail  |
| 21   | 0805 410363 | GELENK V                                   | articulation                                  |
| 22   | 9203 313697 | SENKSCHR.                                  | sunk screw                                    |
| 23   | 0805 411240 | BUCHSE                                     | bushing                                       |
| 24   | 0805 410750 | FEDERBLECH                                 | spring plate                                  |
| 25   | 0805 411940 | SEITENSCHIEBER<br>(95 lang)                | side slide<br>(95long)                        |
| 25   | 0805 411950 | SEITENSCHIEBER<br>(125 lang)               | side slide<br>(125 long)                      |
| 25   | 0805 411960 | SEITENSCHIEBER<br>(170 lang)               | side slide<br>(170 long)                      |
| 26   | 0805 410570 | GLEITPLATTE                                | slide plate                                   |
| 27   | 9231 110057 | 6KT. MUTTER                                | hexagonal nut                                 |
| 28   | 0999 220824 | ZYLINDER,DOPPEL                            | cylinder,double                               |

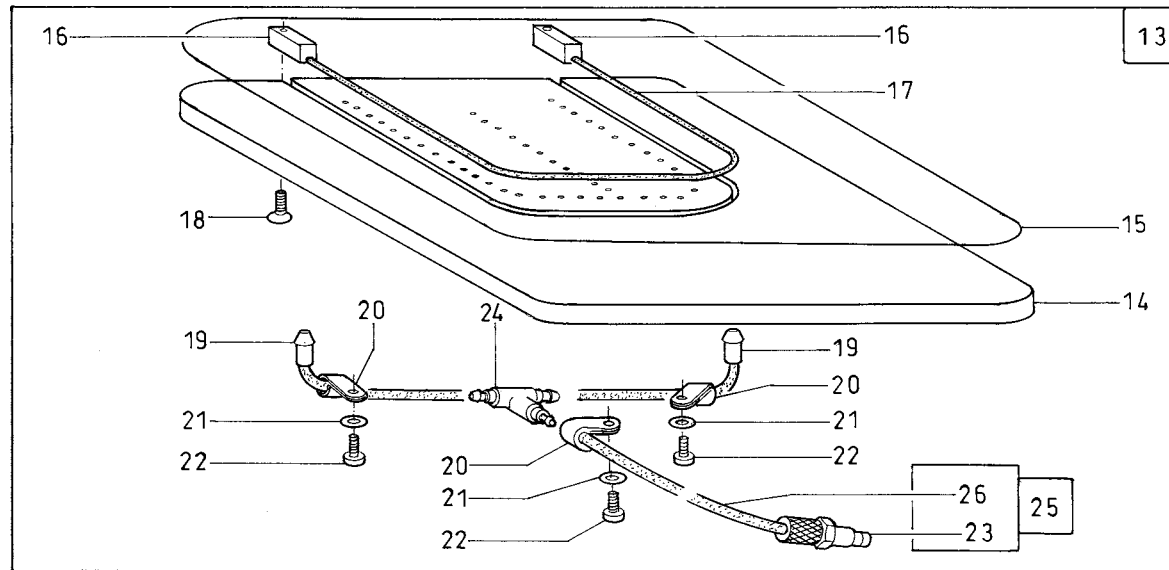
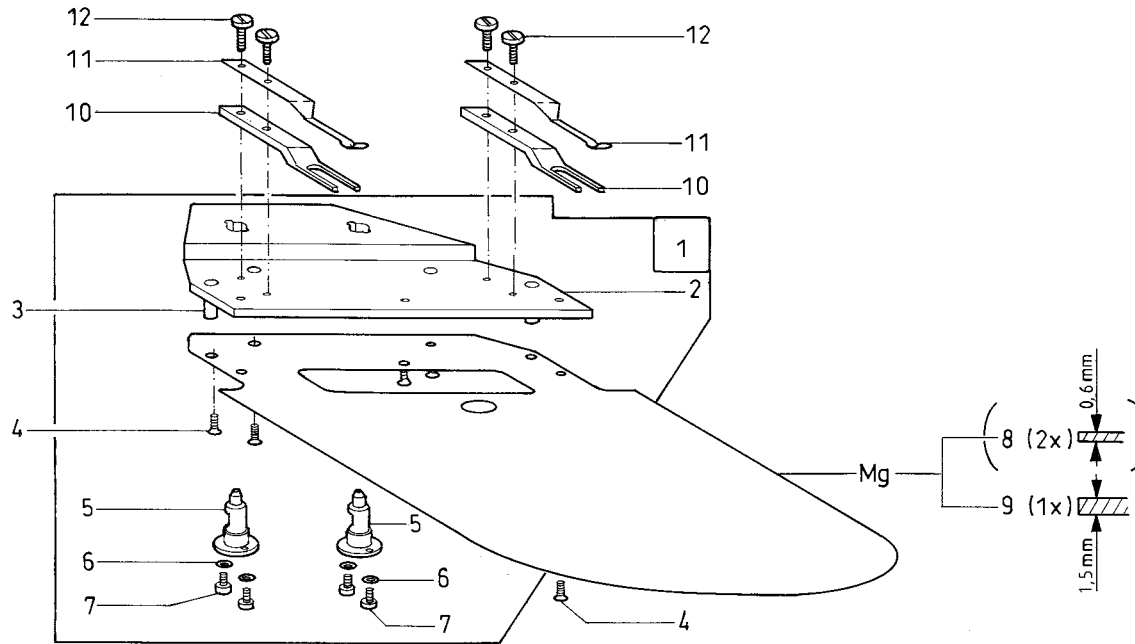
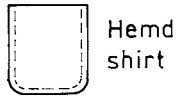
| Pos. | Teile-Nr.   | Benennung                   | Denomination        |
|------|-------------|-----------------------------|---------------------|
| 29   | 0805 410430 | LEISTE                      | reglet              |
| 30   | 9203 313667 | SENKSCHR.                   | countersunk screw   |
| 31   | 9301 101551 | ZYL. STIFT                  | cylinder pin        |
| 32   | 9790 202000 | VERSCHR.T-E                 | coupling            |
| 33   | 9790 201000 | VERSCHR.WI-E                | coupling            |
| 34   | 0805 410500 | PLATTE                      | plate               |
| 35   | 9202 002067 | ZYL. SCHR.                  | cyl. screw          |
| 36   | 9330 900097 | SCHEIBE                     | disc                |
| 37   | 9203 313667 | SENKSCHR.                   | sunk screw          |
| 38   | 0804 412250 | WINKELSCHIEBER              | slide               |
| 39   | 0804 412283 | SCHIEBER V                  | slide               |
| 40   | 0805 410810 | PLATTE                      | plate               |
| 41   | 9202 002067 | ZYL. SCHR.                  | cyl. screw          |
| 42   | 9330 000087 | SCHEIBE                     | disc                |
| 43   | 0805 412140 | STREBE                      | strut               |
| 44   | 9203 313677 | SENKSCHR.                   | sunk screw          |
| 45   | 0805 410803 | PLATTE V                    | plate               |
| 46   | 0999 210661 | GEW. EINSATZ                | threaded insert     |
| 47   | 0805 410830 | PLATTE                      | plate               |
| 48   | 0804 411662 | FEDERBLECH                  | spring plate        |
| 49   | 0805 410600 | DISTANZLEISTE               | distance reglet     |
| 50   | 0805 411970 | ECKENSCHIEBER               | corner slide        |
| 52   | 0805 411980 | VORDERSCHIEBER<br>(40 lang) | slide<br>(40 long)  |
| 53   | 0805 410950 | DISTANZSTUECK               | spacer              |
| 53   | 0805 410960 | DISTANZSTUECK               | spacer              |
| 54   | 9231 110037 | 6KT. MUTTER                 | hexagonal nut       |
| 55   | 0805 410942 | PLATTE                      | plate               |
| 56   | 0805 410932 | FEDERBLECH 0,3              | spring plate 0,3    |
| 57   | 9203 313057 | SENKSCHR.                   | sunk screw          |
| 58   | 9203 313077 | SENKSCHR.                   | sunk screw          |
| 59   | 9710 920011 | VENTIL,DROSSEL              | valve reactor       |
| 60   | 0999 240408 | Y-STECKANSCHL               | connection          |
| 61   | 9731 005004 | SCHLAUCH                    | hose                |
| 62   | 0806 410350 | SCHUTZABDECKUNG             | protective covering |
| 63   | 9830 503012 | DISTANZBOLZEN               | bolt                |
| 64   | 9330 000067 | SCHEIBE                     | disc                |
| 65   | 9202 001668 | ZYL. SCHR.                  | cyl. screw          |



Mg = mustergebunden / calls for a sample

| Pos. | Teile-Nr.   | Benennung                   | Denomination                 |
|------|-------------|-----------------------------|------------------------------|
|      |             | UMBUGSATZ (F10.../F15...)   | CREASING SET (F10.../F15...) |
|      |             | KL. 806 - 121               | CL. 806 - 121                |
| 1    | 0805 410033 | BRUECKE K<br>(MIT POS.2-10) | bridge<br>(with pos. 2-10)   |
| 2    | 0805 410033 | BRUECKE                     | bridge                       |
| 3    | 0895 340740 | GEW. EINSATZ                | threaded insert              |
| 4    | 9301 101891 | ZYL. STIFT                  | cylinder pin                 |
| 5    | 9203 003037 | ZYL. SCHR.                  | cyl. screw                   |
| 6    | 0996 790570 | BOHRBUCHSE                  | bushing                      |
| 7    | 9790 201000 | VERSCHR.WI-E                | coupling                     |
| 8    | 9790 200000 | VERSCHR.                    | coupling                     |
| 9    | 0805 410100 | BOLZEN                      | bolt, stud                   |
| 10   | 9330 000067 | SCHEIBE                     | disc                         |
| 11   | 9202 042087 | ZYL. SCHR.                  | cyl. screw                   |
| 12   | 9790 200000 | VERSCHR.GD-E                | coupling                     |
| 13   | 0805 410680 | BUCHSE                      | bushing                      |
| 14   | 9231 110057 | 6KT. MUTTER                 | hexagonal nut                |
| 15   | 9330 000087 | SCHEIBE                     | disc                         |
| 16   | 9201 112877 | 6KT. SCHR.                  | hexagonal screw              |
| 17   | 0805 410650 | PLATTE<br>(146 lang)        | plate<br>(146 long)          |
| 17   | 0805 410660 | PLATTE<br>(178 lang)        | plate<br>(178 long)          |
| 17   | 0805 410670 | PLATTE<br>(228 lang)        | plate<br>(228 long)          |
| 18   | 0805 410700 | ANSAUGSTUTZEN               | muff                         |
| 19   | 0081 110030 | SPANNUNGSFEDER              | tension spring               |
| 20   | 9231 110057 | 6KT. MUTTER                 | hexagonal nut                |
| 21   | 9203 313697 | SENKSCHR                    | sunk screw                   |
| 22   | 0699 980400 | MOOSGUMMI                   | rubber                       |
| 23   | 9330 000067 | SCHEIBE                     | disc                         |
| 24   | 9201 111257 | 6KT.SCHR.                   | hexagonal screw              |
| 25   | 0805 410820 | PLATTE                      | plate                        |
| 26   | 0699 989137 | KLEBEBAND                   | tape adhesive                |
| 27   | 0999 220827 | ZYLINDER,EINF               | cylinder                     |

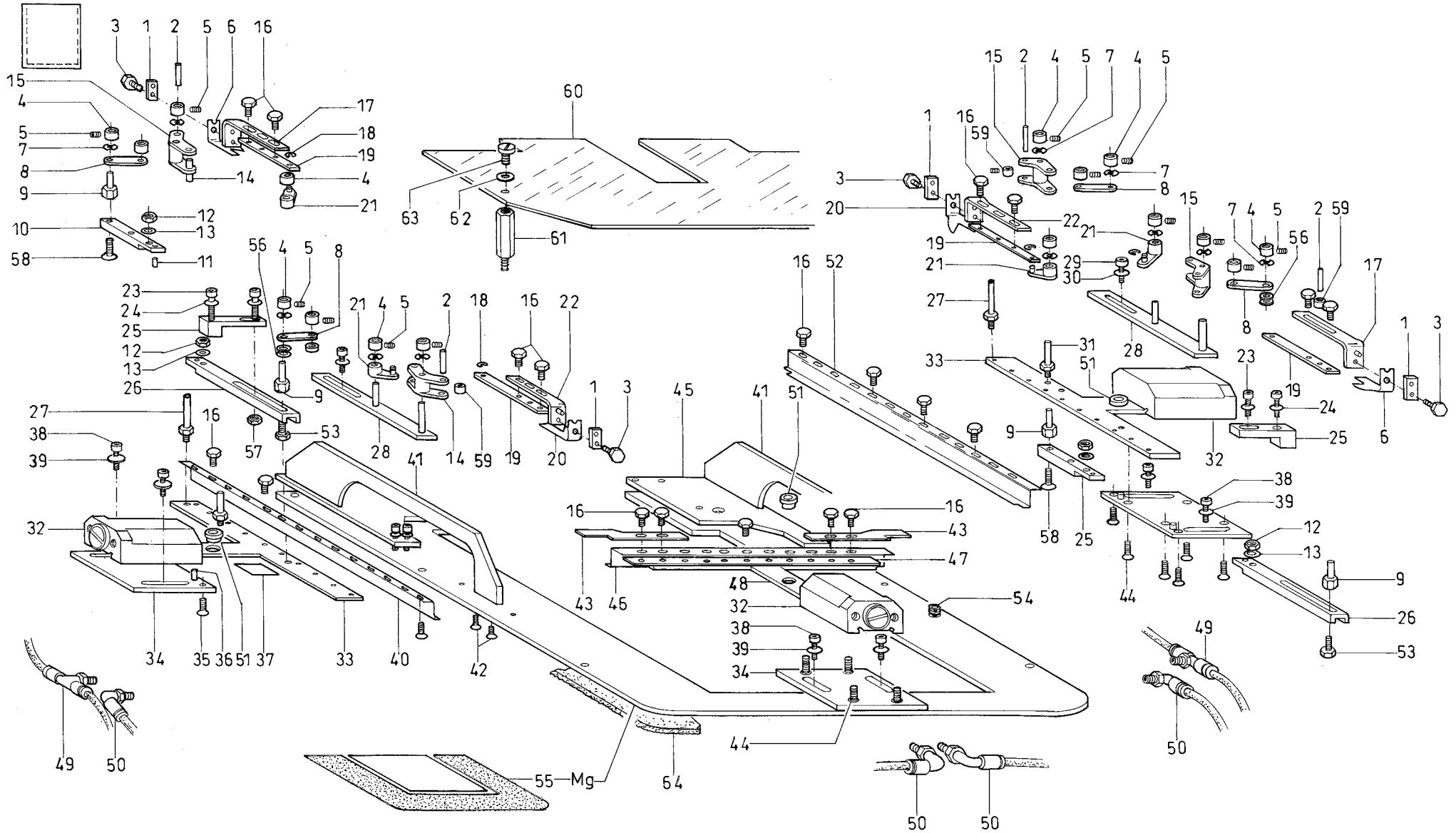
| Pos. | Teile-Nr.   | Benennung         | Denomination         |
|------|-------------|-------------------|----------------------|
| 28   | 9330 000087 | SCHEIBE           | disc                 |
| 29   | 9201 112467 | 6KT.SCHR.         | hexagonal screw      |
| 30   | 0998 881010 | PASZSCHEIBE       | washer               |
| 31   | 0805 410690 | KEGELST.FEDER 1.5 | taper pin spring 1.5 |
| 31   | 0805 412560 | KEGELFEDER 0,8    | cone spring 0,8      |
| 32   | 0805 410803 | PLATTE V          | plate                |
| 33   | 0998 881070 | PASZSCHEIBE       | washer               |
| 34   | 0805 410680 | BUCHSE            | bushing              |
| 35   | 9049 041009 | KLEBER,KRAFT      | adhesive             |
| 36   | 0805 411270 | PLATTE            | plate                |
| 37   | 9731 005004 | SCHLAUCH          | hose                 |



Mg=mustergebunden / calls for a sample

| Pos. | Teile-Nr.   | Benennung                                  | Denomination                                  |
|------|-------------|--|---|
|      |             | UMBUGSATZ (F10.../F15...)<br>KL. 806 - 121 | CREASING SET (F10.../F15...)<br>CL. 806 - 121 |
| 1    | 0805 410873 | HALTER V<br>(MIT POS.2, 5-7)               | holder<br>(with pos. 2,5-7)                   |
| 2    | 0805 410870 | HALTER                                     | holder  |
| 3    | 0805 410880 | STIFT                                      | pin   |
| 4    | 9203 313647 | SENKSCHR                                   | sunk screw                                    |
| 5    | 0805 410100 | BOLZEN                                     | bolt, stud                                    |
| 6    | 9330 000067 | SCHEIBE                                    | disc  |
| 7    | 9203 003037 | ZYL. SCHR.                                 | cyl. screw                                    |
| 8    | 0805 410852 | SCHIEBERBLECH                              | centre slider                                 |
| 9    | 0805 412522 | SCHIEBERBLECH                              | centre slider                                 |
| 10   | 0805 410910 | ANSCHLAG                                   | guide   |
| 11   | 0805 410920 | KLEMME                                     | clamp   |
| 12   | 9203 123687 | FLACHKOPFSCHR.                             | countersunk screw                             |
| 13   | 0805 412014 | SCHLAUCHEINS. K<br>(MIT POS.14-24)         | part set cpl.<br>(with pos. 14-24)            |
| 14   | 0805 402320 | PLATTE                                     | plate   |
| 15   | 0699 975001 | FOLIE                                      | foil  |
| 16   | 0805 402270 | HALTER                                     | holder  |
| 17   | 0990 420020 | SCHLAUCH                                   | hose  |
| 18   | 9203 312440 | SENKSCHR.                                  | sunk screw                                    |
| 19   | 0805 402263 | ROHR V                                     | pipe  |
| 20   | 9840 120026 | BEF. SCHELLE                               | clamp   |
| 21   | 9330 900077 | SCHEIBE                                    | disc  |
| 22   | 9203 003037 | ZYL. SCHR.                                 | cyl. screw                                    |
| 23   | 9790 211040 | KUPPL.STECKER                              | plug  |
| 24   | 9790 020010 | T-VERB.STUECK                              | hose connection                               |
| 25   | 9870 806015 | LEITUNG K<br>(MIT POS. 23,26)              | cord cpl.<br>(with pos. 23,26)                |
| 26   | 9731 005004 | SCHLAUCH                                   | hose  |

| Pos. | Teile-Nr. | Benennung | Denomination |
|------|-----------|-----------|--------------|
|------|-----------|-----------|--------------|

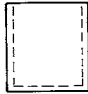


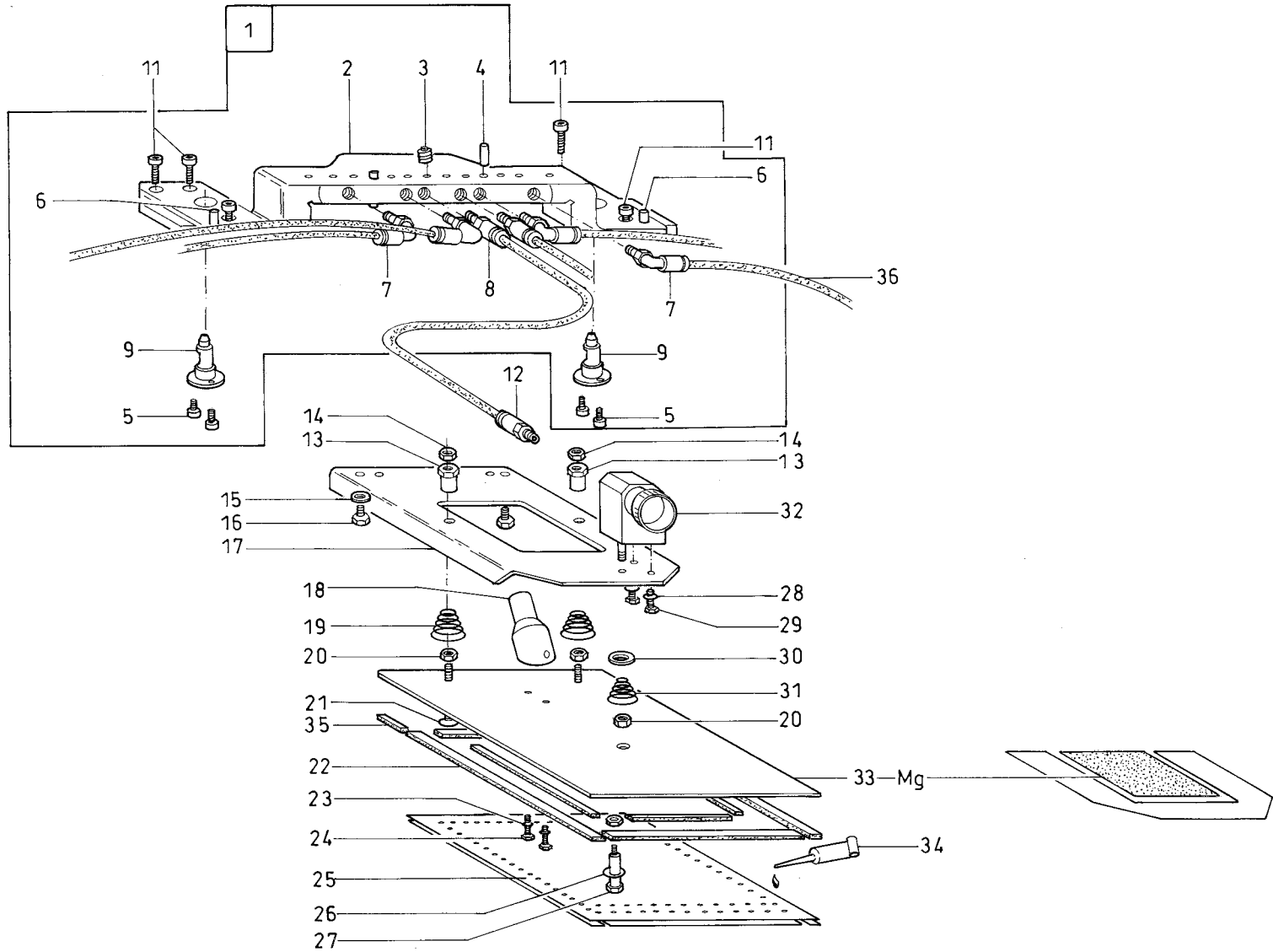
Mg= mustergebunden / calls for a sample



| Pos. | Teile-Nr.   | Benennung                                  | Denomination                               |
|------|-------------|--|--|
|      |             | UMBUGSATZ (F20.../F25...)<br>KL. 806 - 121 | CREASING SET (F20.../F25)<br>CL. 806 - 121 |
| 1    | 0804 411700 | PLATTE                                     | plate                                      |
| 2    | 9301 101611 | ZYL. STIFT                                 | cylinder pin                               |
| 3    | 9201 111227 | 6KT. SCHR.                                 | hexagonal screw                            |
| 4    | 0996 120367 | STELLRING                                  | set-ring, adjusting                        |
| 5    | 0893 520720 | GEW. STIFT                                 | threaded pin                               |
| 6    | 0804 412260 | WINKELSCHIEBER                             | slide                                      |
| 7    | 0893 230468 | FEDERSCHEIBE                               | spring disc                                |
| 8    | 0805 410380 | LASCHE                                     | shackle                                    |
| 9    | 0805 410400 | BOLZEN                                     | bolt, stud                                 |
| 10   | 0805 410430 | LEISTE                                     | rail                                       |
| 11   | 9301 101551 | ZYL. STIFT                                 | cylinder pin                               |
| 12   | 9231 110057 | 6KT. MUTTER                                | hexagonal nut                              |
| 13   | 9330 000087 | SCHEIBE                                    | disc                                       |
| 14   | 9301 102203 | RGKPF. ZYL. STIFT                          | pin  |
| 15   | 0805 410350 | GELENK V                                   | joint                                      |
| 16   | 9201 111227 | 6KT. SCHR.                                 | hexagonal screw                            |
| 17   | 0804 412273 | SCHIEBER V                                 | slide                                      |
| 18   | 9357 000040 | SICH. SCHEIBE                              | fastennig disc                             |
| 19   | 0805 410390 | LEISTE                                     | rail                                       |
| 20   | 0804 412250 | WINKELSCHIEBER                             | slide                                      |
| 21   | 0805 410363 | GELENK V                                   | joint                                      |
| 22   | 0804 412283 | SCHIEBER V                                 | slide                                      |
| 23   | 9202 002377 | ZYL. SCHR.                                 | cyl. screw                                 |
| 24   | 9330 000087 | SCHEIBE                                    | disc                                       |
| 25   | 0805 410490 | WINKEL                                     | angle                                      |
| 26   | 0805 410440 | LEISTE                                     | rail                                       |
| 27   | 0805 410410 | BOLZEN                                     | bolt, stud                                 |
| 28   | 0805 410453 | LEISTE V                                   | reglet                                     |
| 29   | 9202 002077 | ZYL. SCHR.                                 | cyl. screw                                 |
| 30   | 9330 900097 | SCHEIBE                                    | disc                                       |
| 31   | 0805 410420 | LEISTE                                     | rail                                       |
| 32   | 0999 220824 | ZYLINDER,DOPPEL                            | cylinder,double                            |
| 33   | 0805 411940 | SEITENSCHIEBER                             | side slide                                 |

| Pos. | Teile-Nr.   | Benennung       | Denomination        |
|------|-------------|-----------------|---------------------|
|      |             | (95 lang)       | (95 long)           |
| 33   | 0805 411950 | SEITENSCHIEBER  | side slide          |
|      |             | (125 lang)      | (125 long)          |
| 33   | 0805 411960 | SEITENSCHIEBER  | side slide          |
|      |             | (170 lang)      | (170 long)          |
| 34   | 0805 410500 | PLATTE          | plate               |
| 35   | 9203 313667 | SENKSCHR.       | sunk screw          |
| 36   | 9301 101551 | ZYL. STIFT      | cylinder pin        |
| 37   | 0805 410570 | GLEITPLATTE     | slide plate         |
| 38   | 9202 002067 | ZYL. SCHR.      | cyl. screw          |
| 39   | 9330 000087 | SCHEIBE         | disc                |
| 40   | 0805 410750 | FEDERBLECH      | spring plate        |
| 41   | 0805 412140 | STREBE          | strut               |
| 42   | 9203 313677 | SENKSCHR.       | sunk screw          |
| 43   | 0805 410480 | HALTEPLATTE     | holding plate       |
| 44   | 9203 313667 | SENKSCHR.       | sunk screw          |
| 45   | 0805 410810 | PLATTE          | plate               |
| 46   | 0804 411662 | FEDERBLECH      | spring plate        |
| 47   | 0805 410600 | DISTANZLEISTE   | distance reglet     |
| 48   | 0805 411990 | VORDERSCHIEBER  | slide               |
|      |             | (170 lang)      | (170 long)          |
| 49   | 9790 202000 | VERSCHR.T-E     | coupling            |
| 50   | 9790 201000 | VERSCHR.WI-E    | coupling            |
| 51   | 0805 411240 | BUCHSE          | bushing             |
| 52   | 0805 410760 | FEDERBLECH      | spring plate        |
| 53   | 9201 112467 | 6KT. SCHR.      | hexagonal screw     |
| 54   | 0999 210661 | GEW. EINSATZ    | threaded insert     |
| 55   | 0805 410803 | PLATTE V        | plate               |
| 56   | 0998 881040 | PASZSCHEIBE     | washer              |
| 57   | 9231 110057 | 6KT. MUTTER     | hexagonal nut       |
| 58   | 9203 313667 | SENKSCHR.       | sunk screw          |
| 59   | 0996 120328 | STELLRING       | set-ring, adjusting |
| 60   | 0806 410350 | SCHUTZABDECKUNG | cover               |
| 61   | 9830 503012 | DISTANZBOLZEN   | bolt                |
| 62   | 9330 000067 | SCHEIBE         | dics                |
| 63   | 9202 001668 | ZYL. SCHR.      | cyl screw           |
| 64   | 0805 410830 | PLATTE          | plate               |


 Hemd shirt

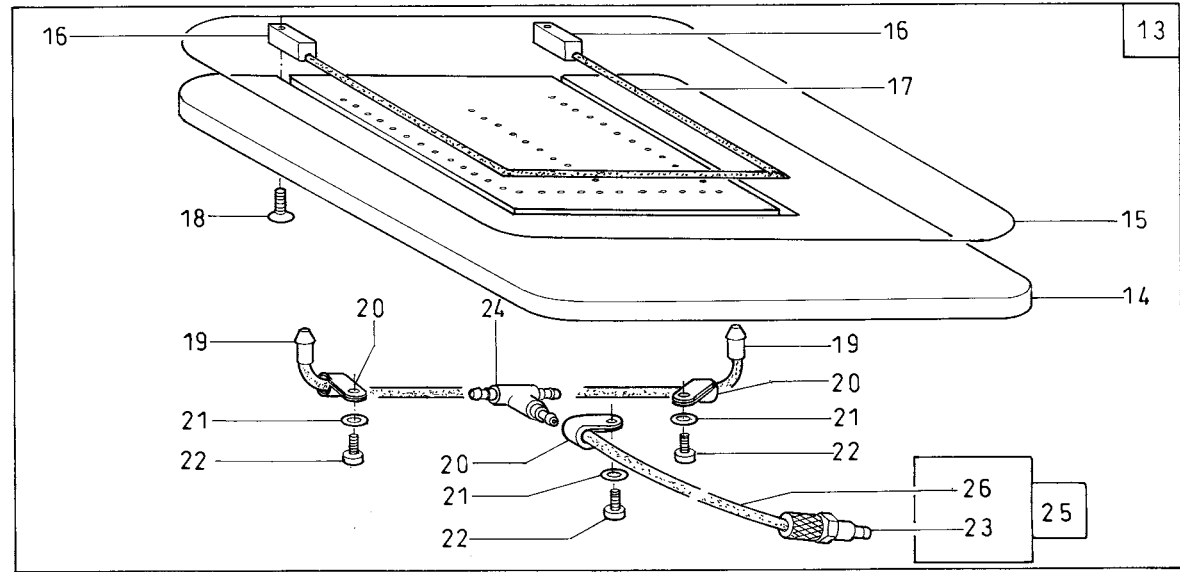
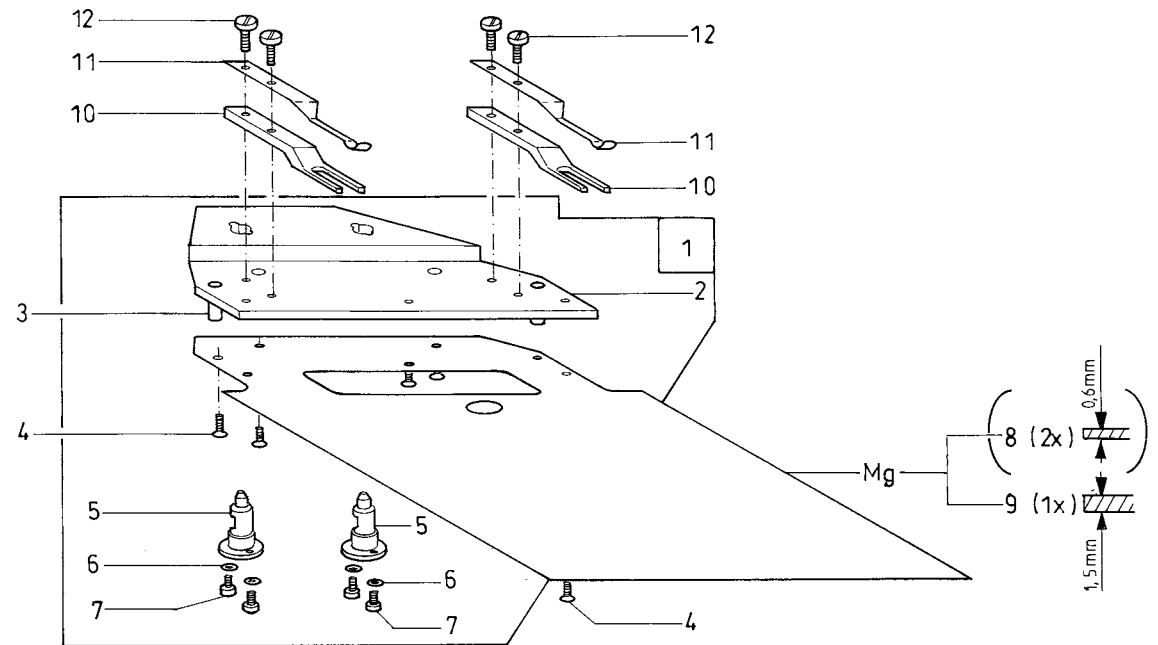


Mg=mustergebunden / calls for a sample

| Pos. | Teile-Nr.   | Benennung                 | Denomination                 |
|------|-------------|---------------------------|------------------------------|
|      |             | UMBUGSATZ (F20.../F25...) | CREASING SET (F20.../F25...) |
|      |             | KL. 806 - 121             | CL.806 - 121                 |
| 1    | 0805 410033 | BRUECKE<br>(MIT POS.2-10) | brige<br>(with pos. 2-10)    |
| 2    | 0805 410033 | BRUECKE                   | bridge                       |
| 3    | 0895 340740 | GEW. EINSATZ              | threaded insert              |
| 4    | 9301 101891 | ZYL. STIFT                | cylinder pin                 |
| 5    | 9203 003037 | ZYL. SCHR.                | cyl. screw                   |
| 6    | 0996 790570 | BOHRBUCHSE                | bushing                      |
| 7    | 9790 201000 | VERSCHR.WI-E              | coupling                     |
| 8    | 9790 200000 | VERSCHR.GD.-E             | coupling                     |
| 9    | 0805 410100 | BOLZEN                    | bolt, stud                   |
| 11   | 9202 042087 | ZYL. SCHR.                | cyl. screw                   |
| 12   | 9790 200000 | VERSCHR.GD.-E             | coupling                     |
| 13   | 0805 410680 | BUCHSE                    | bushing                      |
| 14   | 9231 110057 | 6KT. MUTTER               | hexagonal nut                |
| 15   | 9330 000087 | SCHEIBE                   | disc                         |
| 16   | 9201 112877 | 6KT. SCHR.                | hexagonal screw              |
| 17   | 0805 410650 | PLATTE<br>(146 lang)      | plate<br>(146 long)          |
| 17   | 0805 410660 | PLATTE<br>(178 lang)      | plate<br>(178 long)          |
| 17   | 0805 410670 | PLATTE<br>(228 lang)      | plate<br>(228 long)          |
| 18   | 0805 410700 | ANSAUGSTUTZEN             | muff                         |
| 19   | 0081 110030 | SPANNUNGSFEDER            | tension spring               |
| 20   | 9231 110057 | 6KT. MUTTER               | hexagonal nut                |
| 21   | 9203 313697 | SENKSCHR                  | sunk screw                   |
| 22   | 0699 980400 | MOOSGUMMI                 | rubber                       |
| 23   | 9330 000067 | SCHEIBE                   | disc                         |
| 24   | 9201 111257 | 6KT. SCHR.                | hexagonal screw              |
| 25   | 0805 410820 | PLATTE                    | plate                        |
| 26   | 0998 881070 | PASZSCHEIBE               | washer                       |
| 27   | 0805 410680 | BUCHSE                    | bushing                      |
| 28   | 9330 000087 | SCHEIBE                   | disc                         |

| Pos. | Teile-Nr.   | Benennung          | Denomination         |
|------|-------------|--------------------|----------------------|
| 29   | 9201 112467 | 6KT. SCHR.         | hexagonal screw      |
| 30   | 0998 881010 | PASZSCHEIBE        | washer               |
| 31   | 0805 410690 | KEGELST. FEDER 1,5 | taper pin spring 1,5 |
| 31   | 0805 412560 | KEGELFEDER 0,8     | cone spring 0,8      |
| 32   | 0999 220827 | ZYLINDER,EINF      | cylinder             |
| 33   | 0805 410803 | PLATTE V           | plate                |
| 34   | 9049 041009 | KLEBER,KRAFT       | adhesive             |
| 35   | 0805 411270 | PLATTE             | plate                |
| 36   | 9731 005004 | SCHLAUCH           | hose                 |

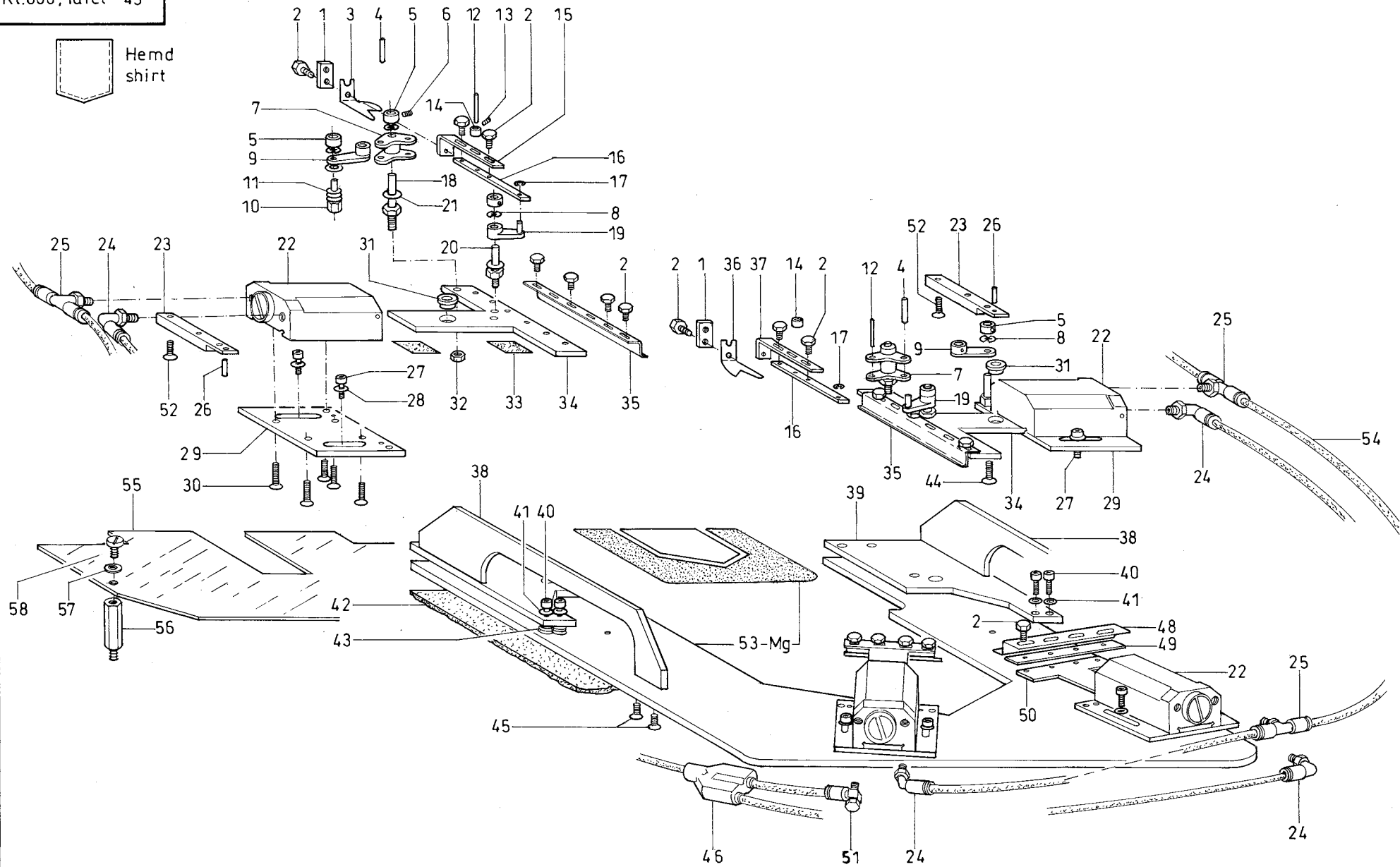
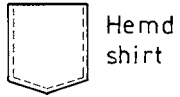
 Hemd shirt



Mg=mustergebunden / calls for a sample

| Pos. | Teile-Nr.   | Benennung                                  | Denomination                                  |
|------|-------------|--|---|
|      |             | UMBUGSATZ (F20.../F25...)<br>KL. 806 - 121 | CREASING SET (F20.../F25...)<br>CL. 806 - 121 |
| 1    | 0805 410873 | HALTER V<br>(MIT POS.2, 5-7)               | holder<br>(with pos.2, 5-7)                   |
| 2    | 0805 410870 | HALTER                                     | holder  |
| 3    | 0805 410880 | STIFT                                      | pin   |
| 4    | 9203 313647 | SENKSCHR                                   | sunk screw                                    |
| 5    | 0805 410100 | BOLZEN                                     | bolt, stud                                    |
| 6    | 9330 000067 | SCHEIBE                                    | disc  |
| 7    | 9203 003037 | ZYL. SCHR.                                 | cyl. screw                                    |
| 8    | 0805 410852 | SCHIEBERBLECH                              | centre slider                                 |
| 9    | 0805 412522 | SCHIEBERBLECH                              | centre slider                                 |
| 10   | 0805 410910 | ANSCHLAG                                   | guide   |
| 11   | 0805 410920 | KLEMME                                     | clamp   |
| 12   | 9203 123687 | FLACHKOPFSCHR.                             | countersunk screw                             |
| 13   | 0805 412014 | SCHLAUCHEINS. K<br>(MIT POS.14-24)         | part set cpl.<br>(with pos. 14-24)            |
| 14   | 0805 402320 | PLATTE                                     | plate   |
| 15   | 0699 975001 | FOLIE                                      | foil  |
| 16   | 0805 402270 | HALTER                                     | holder  |
| 17   | 0990 420020 | SCHLAUCH                                   | hose  |
| 18   | 9203 312440 | SENKSCHR.                                  | sunk screw                                    |
| 19   | 0805 402263 | ROHR V                                     | pipe  |
| 20   | 9840 120026 | BEF. SCHELLE                               | clamp   |
| 21   | 9330 900077 | SCHEIBE                                    | disc  |
| 22   | 9203 003037 | ZYL. SCHR.                                 | cyl. screw                                    |
| 23   | 9790 211040 | KUPPL. STECKER                             | plug  |
| 24   | 9790 020010 | T-VERB.STUECK                              | hose connection                               |
| 25   | 9870 806015 | LEITUNG K<br>(MIT POS. 23,26)              | cable cpl.<br>(with pos. 23,26)               |
| 26   | 9731 005004 | SCHLAUCH                                   | hose  |

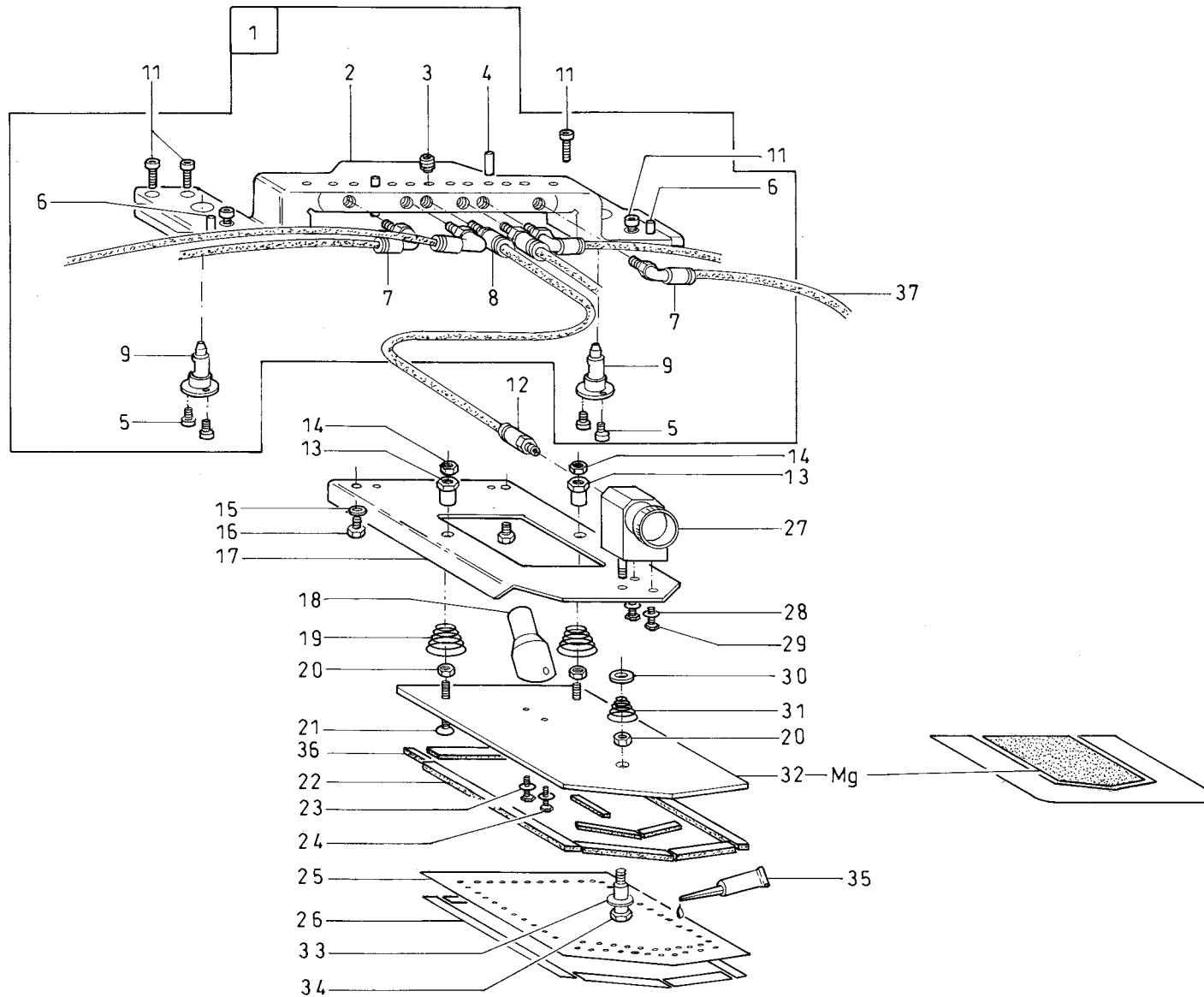
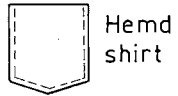
| Pos. | Teile-Nr. | Benennung | Denomination |
|------|-----------|-----------|--------------|
|------|-----------|-----------|--------------|



Mg = mustergebunden / calls for a sample

| Pos. | Teile-Nr.   | Benennung                 | Denomination                 |
|------|-------------|---------------------------|------------------------------|
| 0    |             | UMBUGSATZ (F30.../F35...) | CREASING SET (F30.../F35...) |
| 0    |             | KL. 806 - 121             | CL. 806 - 121                |
| 1    | 0804 411700 | PLATTE                    | plate                        |
| 2    | 9201 111227 | 6KT. SCHR.                | hexagonal screw              |
| 3    | 0804 412260 | WINKELSCHIEBER            | slide                        |
| 4    | 9301 102203 | RGKPF. ZYL. STIFT         | pin                          |
| 5    | 0996 120367 | STELLRING                 | set-ring, adjusting          |
| 6    | 0893 520720 | GEW. STIFT                | threaded pin                 |
| 7    | 0805 410350 | GELENK                    | joint                        |
| 8    | 0893 230468 | FEDERSCHEIBE              | spring disc                  |
| 9    | 0805 410380 | LASCHE                    | part                         |
| 10   | 0805 410400 | BOLZEN                    | bolt, stud                   |
| 11   | 9330 000087 | SCHEIBE                   | disc                         |
| 12   | 9301 101611 | ZYL. STIFT                | part                         |
| 13   | 0993 520420 | GEW. STIFT                | threaded pin                 |
| 14   | 0996 120328 | STELLRING                 | set-ring, adjusting          |
| 16   | 0804 412273 | SCHIEBER V                | slide                        |
| 16   | 0805 410390 | LEISTE                    | rail                         |
| 17   | 9357 000040 | SICH. SCHEIBE             | fastennig disc               |
| 18   | 0805 410410 | BOLZEN                    | bolt, stud                   |
| 19   | 0805 410363 | GELENK V                  | joint                        |
| 20   | 0805 410420 | BOLZEN                    | bolt, stud                   |
| 21   | 0998 881040 | PASZSCHEIBE               | washer                       |
| 22   | 0999 220824 | ZYLINDER,DOPPEL           | cylinder,double              |
| 23   | 0805 410430 | LEISTE                    | rail                         |
| 24   | 9790 201000 | VERSCHR.WI-E              | coupling                     |
| 25   | 9790 202000 | VERSCHR.T-E               | coupling                     |
| 26   | 9301 101551 | ZYL. STIFT                | cylinder pin                 |
| 27   | 9202 002067 | ZYL. SCHR.                | cyl. screw                   |
| 28   | 9330 900097 | SCHEIBE                   | disc                         |
| 29   | 0805 410500 | PLATTE                    | plate                        |
| 30   | 9203 313667 | SENKSCHR.                 | sunk screw                   |
| 31   | 0805 411240 | BUCHSE                    | bushing                      |
| 32   | 9231 110057 | 6KT. MUTTER               | hexagonal nut                |
| 33   | 0805 410570 | GLEITPLATTE               | slide plate                  |
| 34   | 0805 411940 | SEITENSCHIEBER            | side slide                   |

| Pos. | Teile-Nr.   | Benennung       | Denomination    |
|------|-------------|-----------------|-----------------|
|      |             | (95 lang)       | (95 long)       |
| 34   | 0805 411950 | SEITENSCHIEBER  | side slide      |
|      |             | (125 lang)      | (125 long)      |
| 34   | 0805 411960 | SEITENSCHIEBER  | side slide      |
|      |             | (170 lang)      | (170 long)      |
| 35   | 0805 410750 | FEDERBLECH      | spring plate    |
| 36   | 0804 412250 | WINKELSCHIEBER  | slide           |
| 37   | 0804 412283 | SCHIEBER V      | slide           |
| 38   | 0805 412140 | STREBE          | strut           |
| 39   | 0805 410810 | PLATTE          | plate           |
| 40   | 9202 002067 | ZYL. SCHR.      | cyl. screw      |
| 41   | 9330 000087 | SCHEIBE         | disc            |
| 42   | 0805 410830 | PLATTE          | plate           |
| 43   | 0999 210661 | GEW. EINSATZ    | threaded insert |
| 44   | 9203 313697 | SENKSCHR.       | sunk screw      |
| 45   | 9203 313677 | SENKSCHR.       | sunk screw      |
| 46   | 0999 240408 | Y-STECKANSCHL.  | connection      |
| 48   | 0804 411662 | FEDERBLECH      | spring plate    |
| 49   | 0805 410600 | DISTANZLEISTE   | distance reglet |
| 50   | 0805 411980 | VORDERSCHIEBER  | slide           |
|      |             | (40 lang)       | (40 long)       |
| 50   | 0805 411990 | VORDERSCHIEBER  | slide           |
|      |             | (170 lang)      | (170 long)      |
| 51   | 9710 920011 | VENTIL, DROSSEL | valve reactor   |
| 52   | 9203 313667 | SENKSCHR.       | sunk screw      |
| 53   | 0805 410803 | PLATTE V        | plate           |
| 54   | 9731 005004 | SCHLAUCH        | hose            |
| 55   | 0806 410350 | SCHUTZABDECKUNG | cover           |
| 56   | 9830 503012 | DISTANZBOLZEN   | part            |
| 57   | 9330 000067 | SCHEIBE         | disc            |
| 58   | 9202 001668 | ZYL. SCHR.      | cyl.screw       |

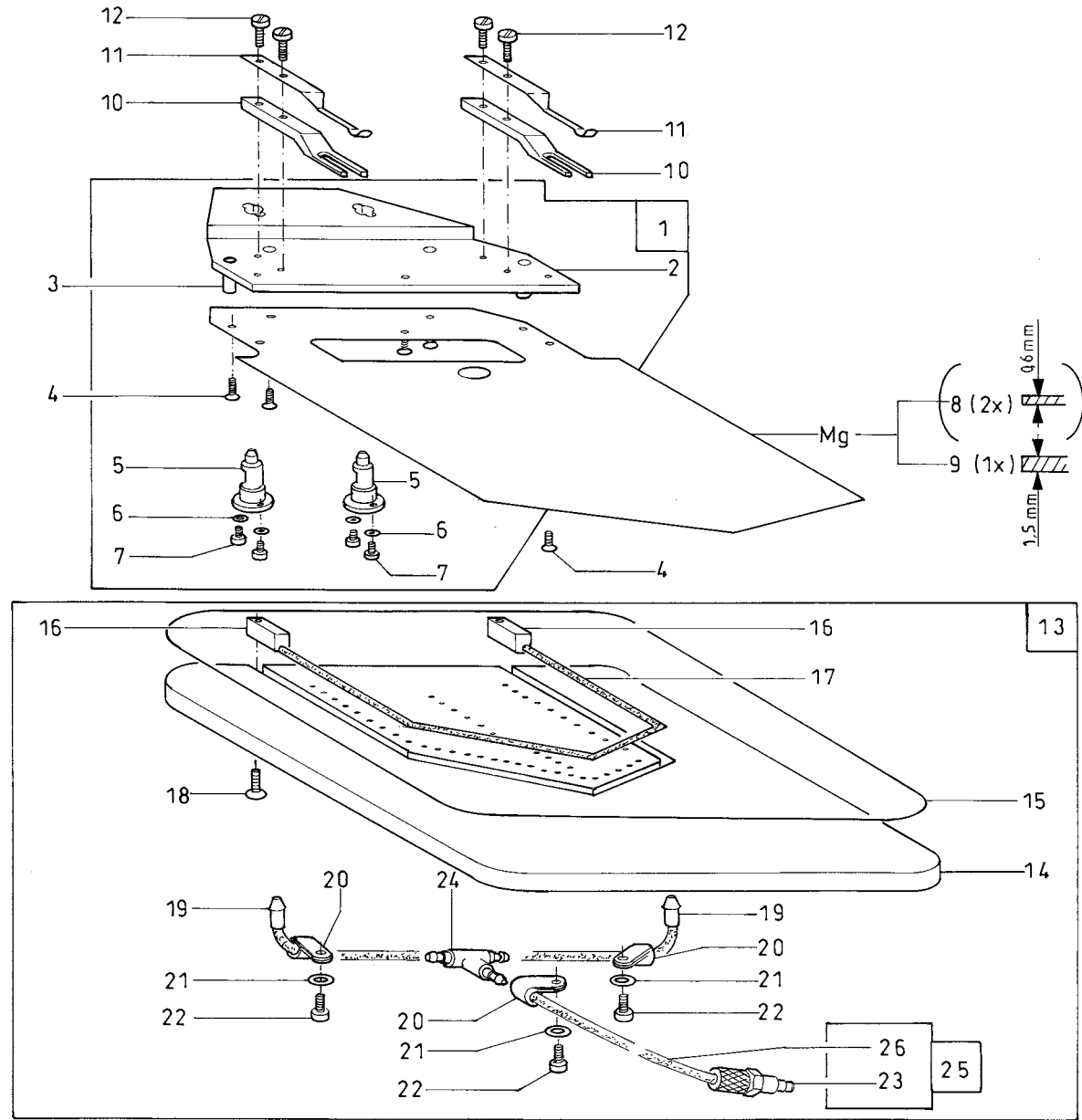
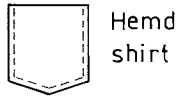


Mg= mustergebunden / calls for a sample



| Pos. | Teile-Nr.   | Benennung                                  | Denomination                           |
|------|-------------|--|--|
|      |             | UMBUGSATZ (F30.../F35...)<br>KL. 806 - 121 | CREASING SET (30.../F<br>CL. 806 - 121 |
| 1    | 0805 410033 | BRUECKE K<br>(MIT POS.2-10)                | bridge<br>(with pos. 2-10)             |
| 2    | 0805 410033 | BRUECKE                                    | bridge                                 |
| 3    | 0895 340740 | GEW. EINSATZ                               | threaded insert                        |
| 4    | 9301 101891 | ZYL. STIFT                                 | cylinder pin                           |
| 5    | 9203 003037 | ZYL. SCHR.                                 | cyl. screw                             |
| 6    | 0996 790570 | BOHRBUCHSE                                 | bushing                                |
| 7    | 9790 201000 | VERSCHR.WI-E                               | coupling                               |
| 8    | 9790 200000 | VERSCHR.GD-E                               | coupling                               |
| 9    | 0805 410100 | BOLZEN                                     | bolt, stud                             |
| 11   | 9202 042087 | ZYL. SCHR.                                 | cyl. screw                             |
| 12   | 9790 200000 | VERSCHR.GD-E                               | coupling                               |
| 13   | 0805 410680 | BUCHSE                                     | bushing                                |
| 14   | 9231 110057 | 6KT. MUTTER                                | hexagonal nut                          |
| 15   | 9330 000087 | SCHEIBE                                    | disc                                   |
| 16   | 9201 112877 | 6KT. SCHR.                                 | hexagonal screw                        |
| 17   | 0805 410650 | PLATTE<br>(146 lang)                       | plate<br>(146 long)                    |
| 17   | 0805 410660 | PLATTE<br>(178 lang)                       | plate<br>(178 long)                    |
| 17   | 0805 410670 | PLATTE<br>(228 lang)                       | plate<br>(228 long)                    |
| 18   | 0805 410700 | ANSAUGSTUTZEN                              | muff                                   |
| 19   | 0081 110030 | SPANNUNGSFEDER                             | tension spring                         |
| 20   | 9231 110057 | 6KT. MUTTER                                | hexagonal nut                          |
| 21   | 9203 313697 | SENKSCHR.                                  | sunk screw                             |
| 22   | 0699 980400 | MOOSGUMMI                                  | rubber                                 |
| 23   | 9330 000067 | SCHEIBE                                    | disc                                   |
| 24   | 9201 111257 | 6KT. SCHR.                                 | hexagonal screw                        |
| 25   | 0805 410820 | PLATTE                                     | plate                                  |
| 26   | 0699 989137 | KLEBEBAND                                  | tape adhesive                          |
| 27   | 0999 220827 | ZYLINDER, EINF.                            | cylinder                               |
| 28   | 9330 000087 | SCHEIBE                                    | disc                                   |

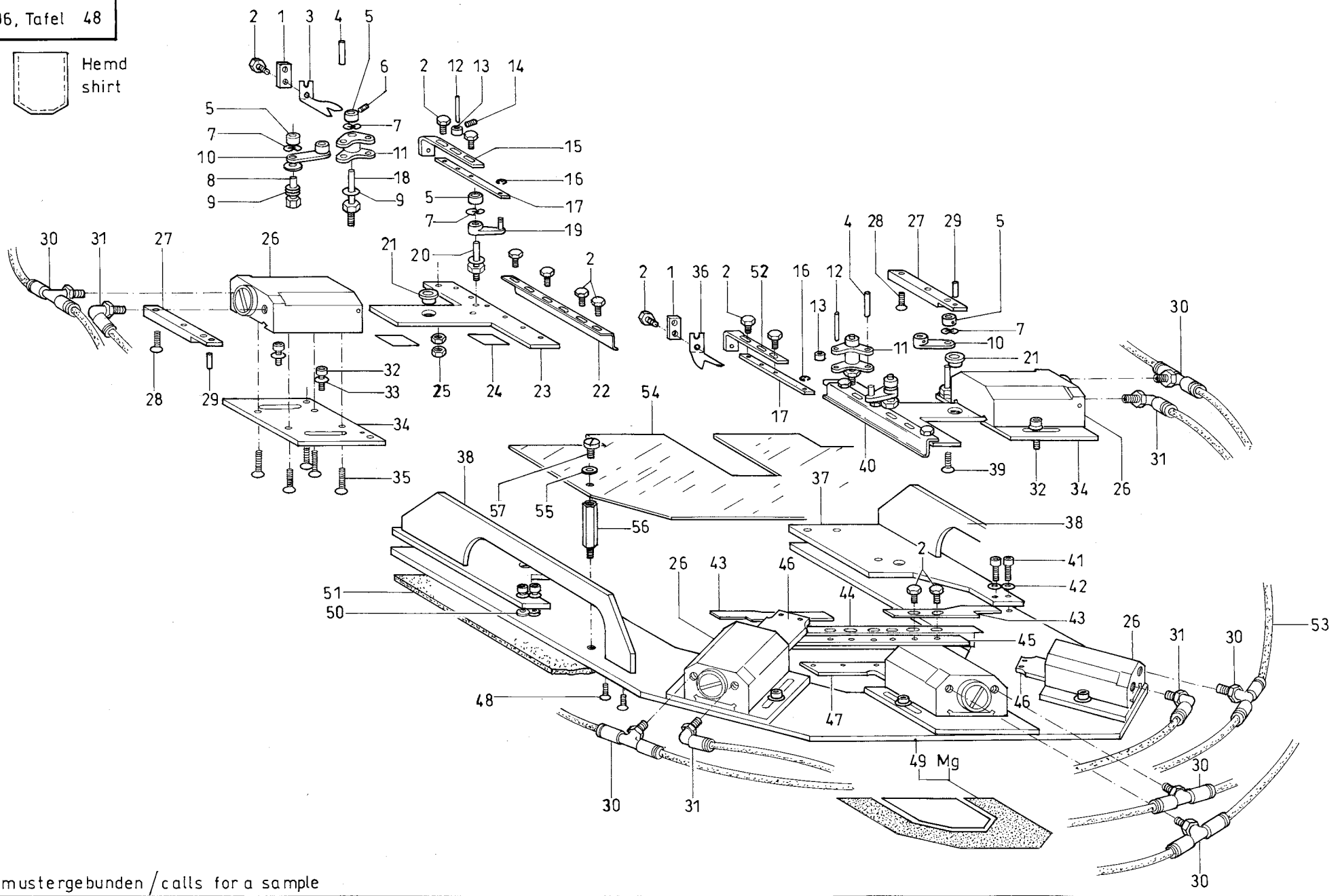
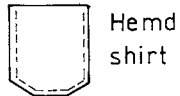
| Pos. | Teile-Nr.   | Benennung         | Denomination         |
|------|-------------|-------------------|----------------------|
| 29   | 9201 112467 | 6KT. SCHR.        | hexagonal screw      |
| 30   | 0998 881010 | PASZSCHEIBE       | washer               |
| 31   | 0805 410690 | KEGELST.FEDER 1,5 | taper pin spring 1,5 |
| 31   | 0805 412560 | KEGELFEDER 0,8    | cone spring 0,8      |
| 32   | 0805 410803 | PLATTE V          | plate                |
| 33   | 0998 881070 | PASZSCHEIBE       | washer               |
| 34   | 0805 410680 | BUCHSE            | bushing              |
| 35   | 9049 041009 | KLEBER,KRAFT      | adhesive             |
| 36   | 0805 411270 | PLATTE            | plate                |
| 37   | 9731 005004 | SCHLAUCH          | hose                 |



Mg= mustergebunden / calls for a sample

| Pos. | Teile-Nr.   | Benennung                                  | Denomination                                  |
|------|-------------|--|---|
|      |             | UMBUGSATZ (F30.../F35...)<br>KL. 806 - 121 | CREASING SET (F30.../F35...)<br>CL. 806 - 121 |
| 1    | 0805 410873 | HALTER V<br>(MIT POS.2, 5-7)               | holder<br>(with pos. 2, 5-7)                  |
| 2    | 0805 410870 | HALTER                                     | holder  |
| 3    | 0805 410880 | STIFT                                      | pin   |
| 4    | 9203 313647 | SENKSCHR.                                  | sunk screw                                    |
| 5    | 0805 410100 | BOLZEN                                     | bolt, stud                                    |
| 6    | 9330 000067 | SCHEIBE                                    | disc  |
| 7    | 9203 003037 | ZYL. SCHR.                                 | cyl. screw                                    |
| 8    | 0805 410852 | SCHIEBERBLECH                              | centre slider                                 |
| 9    | 0805 412522 | SCHIEBERBLECH                              | centre slider                                 |
| 10   | 0805 410910 | ANSCHLAG                                   | guide   |
| 11   | 0805 410920 | KLEMME                                     | clamp   |
| 12   | 9203 123687 | FLACHKOPFSCHR.                             | countersunk screw                             |
| 13   | 0805 412014 | SCHLAUCHEINS. K<br>(MIT POS.14-24)         | hose insert cpl.<br>(with pos. 14-24)         |
| 14   | 0805 402320 | PLATTE                                     | plate   |
| 15   | 0699 975001 | SCHLAUCH                                   | hose  |
| 16   | 0805 402270 | HALTER                                     | holder  |
| 17   | 0990 420020 | SCHLAUCH                                   | hose  |
| 18   | 9203 312440 | SENKSCHR.                                  | sunk screw                                    |
| 19   | 0805 402263 | ROHR V                                     | pipe  |
| 20   | 9840 120026 | BEF. SCHELLE                               | clamp   |
| 21   | 9330 900077 | SCHEIBE                                    | disc  |
| 22   | 9203 003037 | ZYL. SCHR.                                 | cyl. screw                                    |
| 23   | 9790 211040 | KUPPL.STECKER                              | plug  |
| 24   | 9790 020010 | T-VERB.STUECK                              | hose connection                               |
| 25   | 9870 806015 | LEITUNG K<br>(MIT POS. 23,26)              | cord cpl.<br>(with pos. 23,26)                |
| 26   | 9731 005004 | SCHLAUCH                                   | hose  |

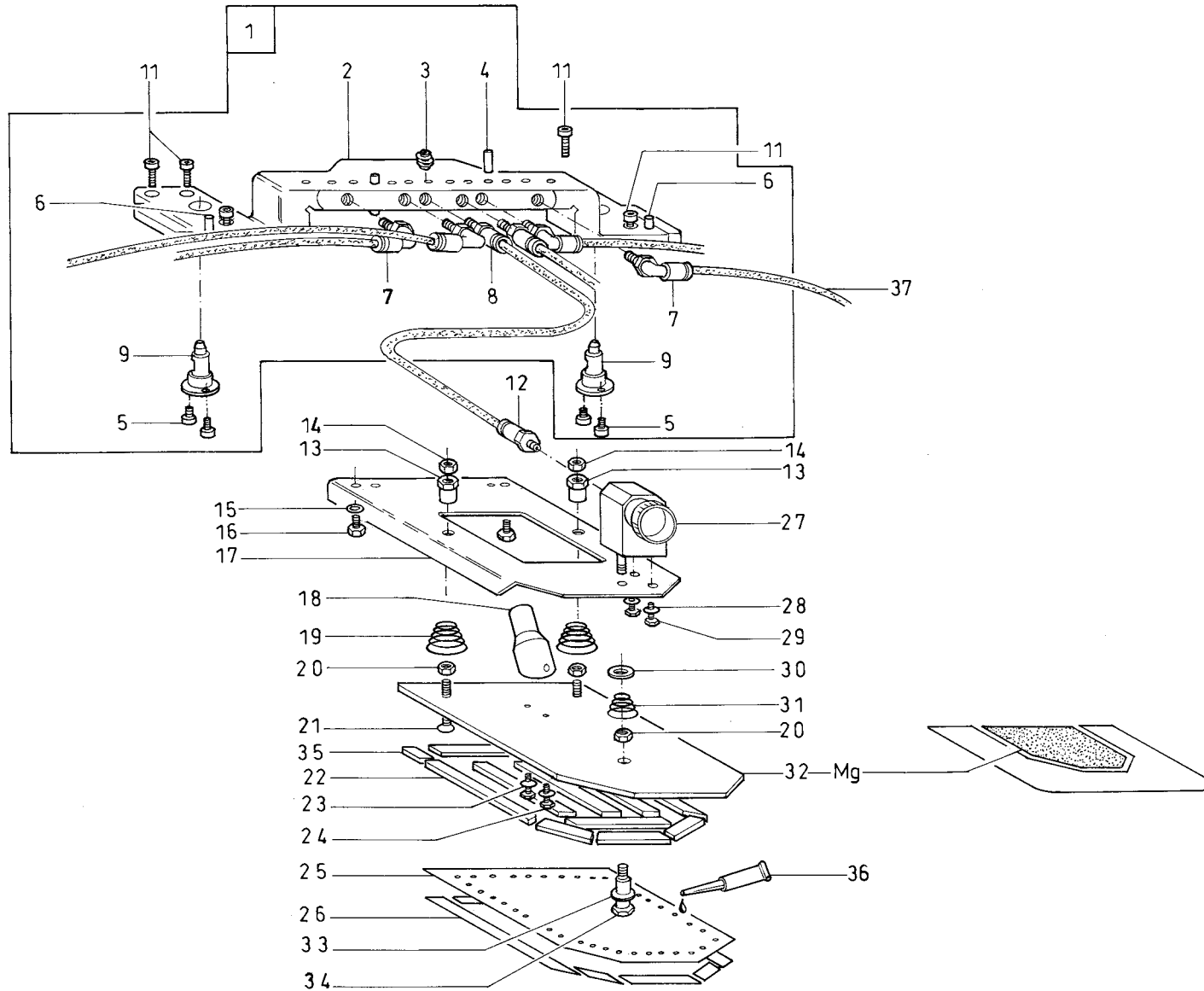
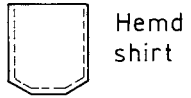
| Pos. | Teile-Nr. | Benennung | Denomination |
|------|-----------|-----------|--------------|
|------|-----------|-----------|--------------|



Mg = mustergebunden / calls for a sample

| Pos. | Teile-Nr.   | Benennung                                  | Denomination                                  |
|------|-------------|--|---|
|      |             | UMBUGSATZ (F40.../F45...)<br>KL. 806 - 121 | CREASING SET (F40.../F45...)<br>CL. 806 - 121 |
| 1    | 0804 411700 | PLATTE                                     | plate   |
| 2    | 9201 111227 | 6KT. SCHR.                                 | hexagonal screw                               |
| 3    | 0804 412260 | WINKELSCHIEBER                             | slide   |
| 4    | 9301 102203 | RGKPF. ZYL. STIFT                          | pin   |
| 5    | 0996 120367 | STELLRING                                  | set-ring, adjusting                           |
| 6    | 0893 520720 | GEW. STIFT                                 | threaded pin                                  |
| 7    | 0893 230468 | FEDERSCHEIBE                               | spring disc                                   |
| 8    | 0805 410400 | BOLZEN                                     | bolt, stud                                    |
| 9    | 9330 000087 | SCHEIBE                                    | disc  |
| 10   | 0805 410380 | LASCHE                                     | shackle                                       |
| 11   | 0805 410350 | GELENK                                     | joint   |
| 12   | 9301 101611 | ZYL. STIFT                                 | cylinder pin                                  |
| 13   | 0996 120328 | STELLRING                                  | set-ring, adjusting                           |
| 14   | 0993 520420 | GEW. STIFT                                 | threaded pin                                  |
| 15   | 0804 412273 | SCHIEBER V                                 | slide   |
| 16   | 9357 000040 | SICH. SCHEIBE                              | fastennig disc                                |
| 17   | 0805 410390 | LEISTE                                     | rail  |
| 18   | 0805 410410 | BOLZEN                                     | bolt, stud                                    |
| 19   | 0805 410363 | GELENK V                                   | joint   |
| 20   | 0805 410420 | BOLZEN                                     | bolt, stud                                    |
| 21   | 0805 411240 | BUCHSE                                     | bushing                                       |
| 22   | 0805 410750 | FEDERBLECH                                 | spring plate                                  |
| 23   | 0805 411940 | SEITENSCHIEBER<br>(95 lang)                | side slide<br>(95 long)                       |
| 23   | 0805 411950 | SEITENSCHIEBER<br>(125 lang)               | side slide<br>(125 long)                      |
| 23   | 0805 411960 | SEITENSCHIEBER<br>(170 lang)               | side slide<br>(170 long)                      |
| 24   | 0805 410570 | GLEITPLATTE                                | slide plate                                   |
| 25   | 9231 110057 | 6KT.MUTTER                                 | hexagonal nut                                 |
| 26   | 0999 220824 | ZYLINDER,DOPPEL                            | cylinder,double                               |
| 27   | 0805 410430 | LEISTE                                     | rail  |
| 28   | 9203 313667 | SENKSCHR.                                  | sunk screw                                    |

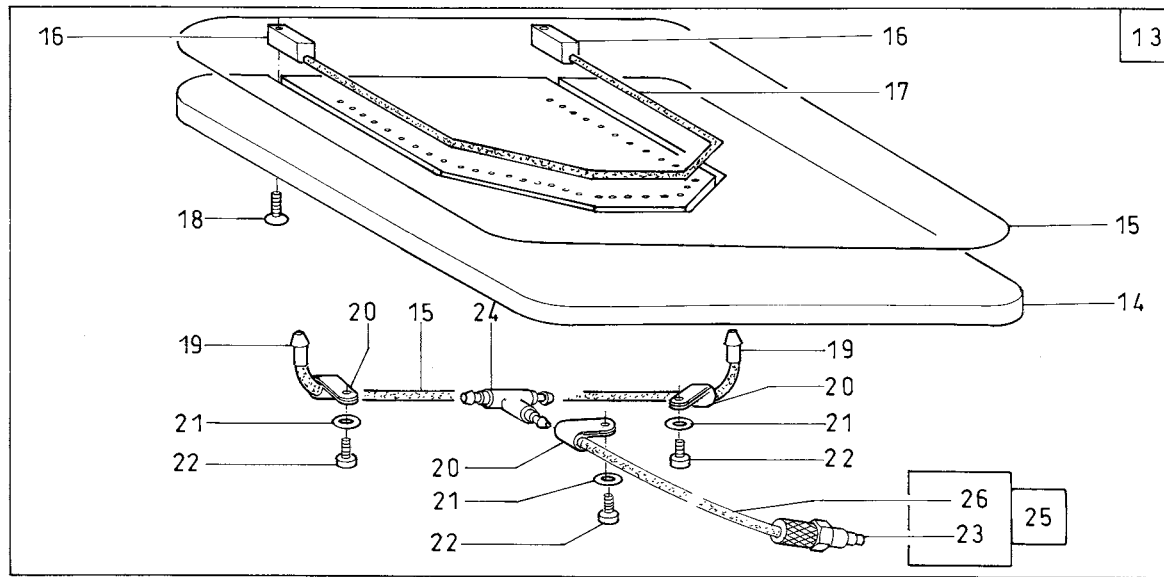
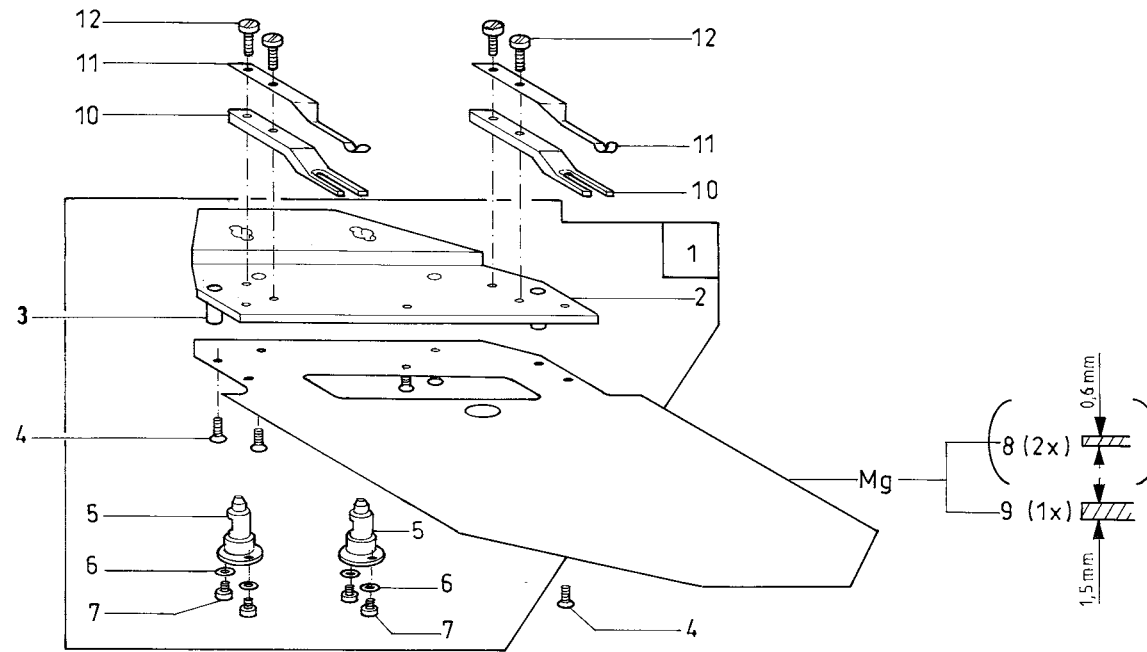
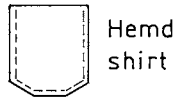
| Pos. | Teile-Nr.   | Benennung                 | Denomination         |
|------|-------------|---------------------------|----------------------|
| 29   | 9301 101551 | ZYL. STIFT                | cylinder pin         |
| 30   | 9790 202000 | VERSCHR.T-E               | coupling             |
| 31   | 9790 201000 | VERSCHR.WI-E              | coupling             |
| 32   | 9202 002067 | ZYL. SCHR.                | cyl. screw           |
| 33   | 9330 900097 | SCHEIBE                   | disc                 |
| 34   | 0805 410500 | PLATTE                    | plate                |
| 35   | 9203 313667 | SENKSCHR.                 | screw                |
| 36   | 0804 412250 | WINKELSCHIEBER            | slide                |
| 37   | 0805 410810 | PLATTE                    | plate                |
| 38   | 0805 412140 | STREBE                    | strut                |
| 39   | 9203 313697 | SENKSCHR.                 | sunk screw           |
| 40   | 0805 410760 | FEDERBLECH                | spring plate         |
| 41   | 9202 002067 | ZYL. SCHR.                | cyl. screw           |
| 42   | 9330 000087 | SCHEIBE                   | disc                 |
| 43   | 0805 410480 | HALTEPLATTE               | holding plate        |
| 44   | 0804 411662 | FEDERBLECH                | spring plate         |
| 45   | 0805 410600 | DISTANZLEISTE             | distance reglet      |
| 46   | 0805 411970 | ECKENSCHIEBER             | corner slide         |
| 47   | 0805 411990 | VORDERSCHIEBER (170 lang) | slide (170 long)     |
| 48   | 9203 313677 | SENKSCHR.                 | sunk screw           |
| 49   | 0805 410803 | PLATTE V                  | plate                |
| 50   | 0999 210661 | GEW. EINSATZ              | threaded insert      |
| 51   | 0805 410830 | PLATTE                    | plate                |
| 52   | 0804 412283 | SCHIEBER V                | slide                |
| 53   | 9731 005004 | SCHLAUCH                  | hose                 |
| 54   | 0806 410350 | SCHUTZABDECKUNG           | protective4 covering |
| 55   | 9330 000067 | SCHEIBE                   | disc                 |
| 56   | 9830 503012 | DISTANZBOLZEN             | bolt                 |
| 57   | 9202 001668 | ZYL. SCHR.                | cyl.screw            |



Mg= mustergebunden / calls for a sample

| Pos. | Teile-Nr.   | Benennung                   | Denomination               |
|------|-------------|-----------------------------|----------------------------|
|      |             | UMBUGSATZ (F40.../F45...)   | CREASING SET(F40.../45...) |
|      |             | KL. 806 - 121               | CL. 806 - 121              |
| 1    | 0805 410033 | BRUECKE K<br>(MIT POS.2-10) | bridge<br>(with pos.2-10)  |
| 2    | 0805 410033 | BRUECKE                     | bridge                     |
| 3    | 0895 340740 | GEW. EINSATZ                | threaded insert            |
| 4    | 9301 101891 | ZYL. STIFT                  | cylinder pin               |
| 5    | 9203 003037 | ZYL. SCHR.                  | cyl. screw                 |
| 6    | 0996 790570 | BOHRBUCHSE                  | bushing                    |
| 7    | 9790 201000 | VERSCHR.WI-E                | coupling                   |
| 8    | 9790 200000 | VERSCHR.GD-E                | coupling                   |
| 9    | 0805 410100 | BOLZEN                      | bolt, stud                 |
| 11   | 9202 042087 | ZYL. SCHR.                  | cyl. screw                 |
| 12   | 9790 200000 | VERSCHR.GD-E                | coupling                   |
| 13   | 0805 410680 | BUCHSE                      | bushing                    |
| 14   | 9231 110057 | 6KT. MUTTER                 | hexagonal nut              |
| 15   | 9330 000087 | SCHEIBE                     | washer                     |
| 16   | 9201 112877 | 6KT. SCHR.                  | hexagonal screw            |
| 17   | 0805 410650 | PLATTE<br>(146 lang)        | plate<br>(146 long)        |
| 17   | 0805 410660 | PLATTE<br>(178 lang)        | plate<br>(178 long)        |
| 17   | 0805 410670 | PLATTE<br>(228 lang)        | plate<br>(228 long)        |
| 18   | 0805 410700 | ANSAUGSTUTZEN               | muff                       |
| 19   | 0081 110030 | SPANNUNGSFEDER              | tension spring             |
| 20   | 9231 110057 | 6KT. MUTTER                 | hexagonal nut              |
| 21   | 9203 313697 | SENKSCHR.                   | sunk screw                 |
| 22   | 0699 980400 | MOOSGUMMI                   | rubber                     |
| 23   | 9330 000067 | SCHEIBE                     | disc                       |
| 24   | 9201 111257 | 6KT. SCHR.                  | hexagonal screw            |
| 25   | 0805 410820 | PLATTE                      | plate                      |
| 26   | 0998 881070 | PASZSCHEIBE                 | washer                     |
| 27   | 0805 410680 | BUCHSE                      | bushing                    |
| 28   | 9330 000087 | SCHEIBE                     | disc                       |

| Pos. | Teile-Nr.   | Benennung         | Denomination         |
|------|-------------|-------------------|----------------------|
| 29   | 9201 112467 | 6KT. SCHR.        | hexagonal screw      |
| 30   | 0998 881010 | PASZSCHEIBE       | washer               |
| 31   | 0805 410690 | KEGELST.FEDER 1,5 | taper pin spring 1,5 |
| 31   | 0805 412560 | KEGELFEDER 0,8    | cone spring 0,8      |
| 32   | 0999 220827 | ZYLINDER,EINF.    | cylinder             |
| 33   | 0805 410803 | PLATTE V          | plate                |
| 34   | 0805 410680 | BUCHSE            | bushing              |
| 35   | 0805 411270 | PLATTE            | plate                |
| 36   | 9049 041009 | KLEBER, KRAFT     | adhesive             |
| 37   | 9731 005004 | SCHLAUCH          | hose                 |



Mg= mustergebunden / calls for a sample

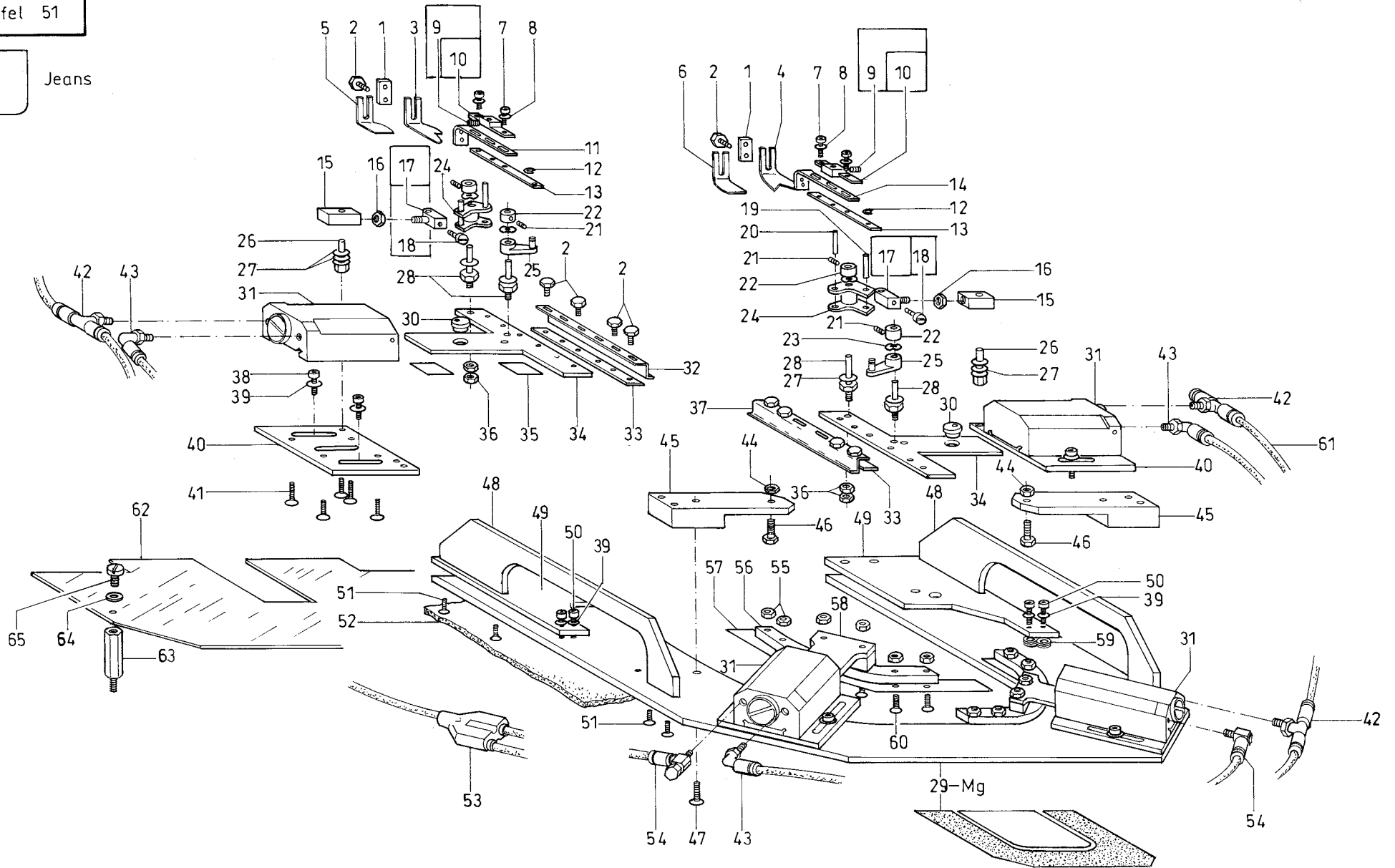


| Pos. | Teile-Nr.   | Benennung                                  | Denomination                                  |
|------|-------------|--|---|
|      |             | UMBUGSATZ (F40.../F45...)<br>KL. 806 - 121 | CREASING SET (F40.../F45...)<br>CL. 806 - 121 |
| 1    | 0805 410873 | HALTER V<br>(MIT POS.2, 5-7)               | holder<br>(with pos.2,5-7)                    |
| 2    | 0805 410870 | HALTER                                     | holder  |
| 3    | 0805 410880 | STIFT                                      | pin   |
| 4    | 9203 313647 | SENKSCHR.                                  | sunk screw                                    |
| 5    | 0805 410100 | BOLZEN                                     | bolt, stud                                    |
| 6    | 9330 000067 | SCHEIBE                                    | disc  |
| 7    | 9203 003037 | ZYL. SCHR.                                 | cyl. screw                                    |
| 8    | 0805 410852 | SCHIEBERBLECH                              | centre slider                                 |
| 9    | 0805 412522 | SCHIEBERBLECH                              | centre slider                                 |
| 10   | 0805 410910 | ANSCHLAG                                   | guide   |
| 11   | 0805 410920 | KLEMME                                     | clamp   |
| 12   | 9203 123687 | FLACHKOPFSCHR.                             | countersunk screw                             |
| 13   | 0805 412014 | SCHLAUCHEINS. K<br>(MIT POS.14-24)         | part set cpl.<br>(with pos.14-24)             |
| 14   | 0805 402320 | PLATTE                                     | plate   |
| 15   | 0699 975001 | FOLIE                                      | foil  |
| 16   | 0805 402270 | HALTER                                     | holder  |
| 17   | 0990 420020 | SCHLAUCH                                   | hose  |
| 18   | 9203 312440 | SENKSCHR.                                  | sunk screw                                    |
| 19   | 0805 402263 | ROHR V                                     | pipe  |
| 20   | 9840 120026 | BEF. SCHELLE                               | clamp   |
| 21   | 9330 900077 | SCHEIBE                                    | disc  |
| 22   | 9203 003037 | ZYL. SCHR.                                 | cyl. screw                                    |
| 23   | 9790 211040 | KUPPL. STECKER                             | plug  |
| 24   | 9790 020010 | T-VERB.STUECK                              | hose connection                               |
| 25   | 9870 806015 | LEITUNG K<br>(MIT POS. 23;26)              | cord cpl.<br>(with pos. 23,26)                |
| 26   | 9731 005004 | SCHLAUCH                                   | hose  |

| Pos. | Teile-Nr. | Benennung | Denomination |
|------|-----------|-----------|--------------|
|------|-----------|-----------|--------------|



Jeans



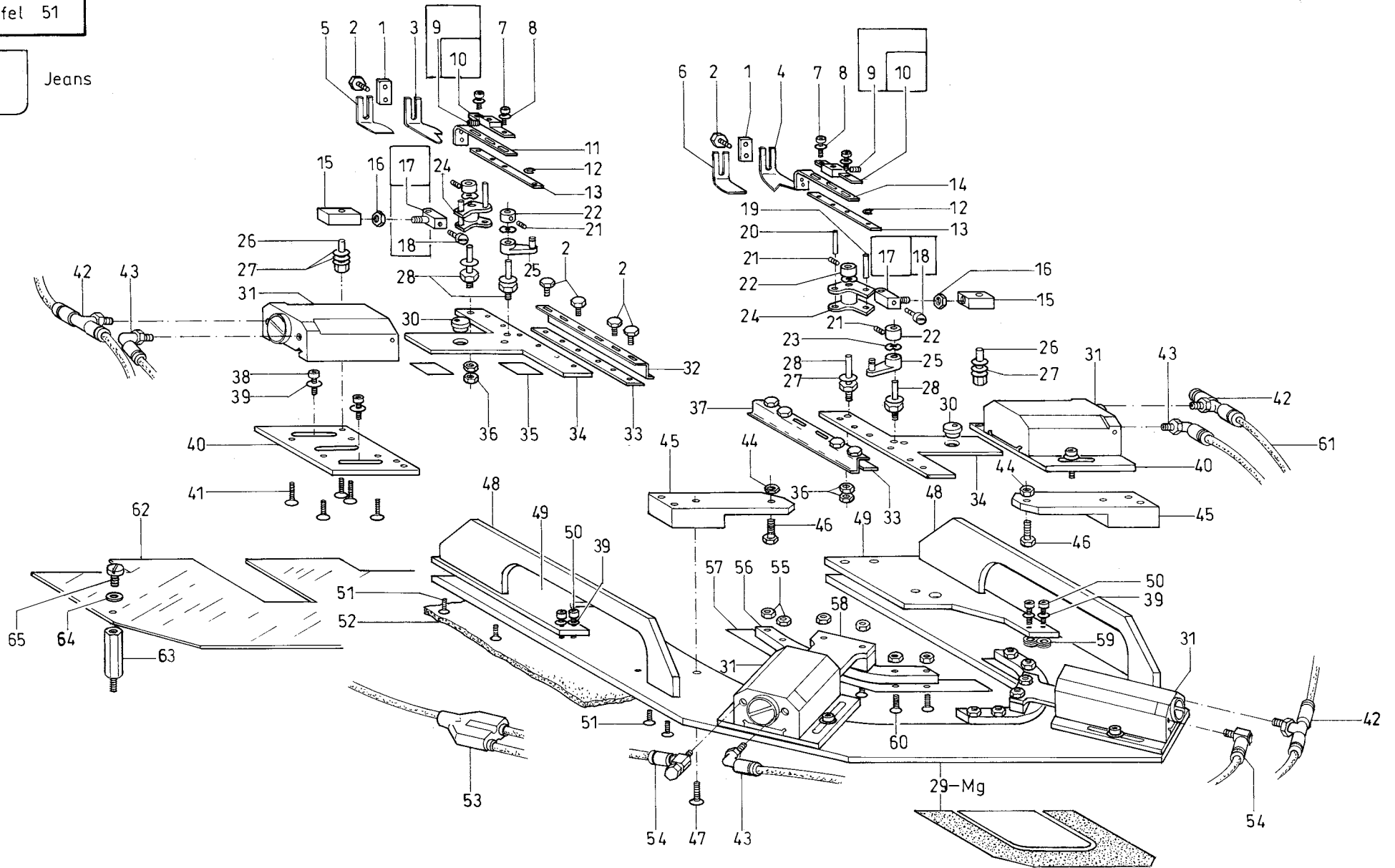
Mg= mustergebunden / calls for a sample

| Pos. | Teile-Nr.   | Benennung                                  | Denomination                                  |
|------|-------------|--|---|
|      |             | UMBUGSATZ (F40.../F45...)<br>KL. 806 - 121 | CREASING SET (F40.../F45...)<br>CL. 806 - 121 |
| 1    | 0804 411700 | PLATTE                                     | plate   |
| 2    | 9201 111227 | 6KT. SCHR.                                 | hexagonal screw                               |
| 3    | 0804 412260 | WINKELSCHIEBER                             | slide   |
| 4    | 0804 412250 | WINKELSCHIEBER                             | slide   |
| 5    | 0805 412230 | WINKELSCHIEBER                             | slide   |
| 6    | 0805 412220 | WINKELSCHIEBER                             | slide   |
| 7    | 9203 003052 | ZYL. SCHR.                                 | cyl. screw                                    |
| 8    | 9330 000067 | SCHEIBE                                    | disc  |
| 9    | 0804 412383 | FUEHRUNG<br>(MIT POS.10)                   | guide<br>(with pos. 10)                       |
| 10   | 0993 520740 | GEW. STIFT                                 | threaded pin                                  |
| 11   | 0804 412273 | SCHIEBER V                                 | slide   |
| 12   | 9357 000040 | SICH. SCHEIBE                              | fastennig disc                                |
| 13   | 0805 410390 | LEISTE                                     | rail  |
| 14   | 0804 412283 | SCHIEBER V                                 | slide   |
| 15   | 0805 411230 | GELENK                                     | joint   |
| 16   | 9231 110057 | 6KT. MUTTER                                | hexagonal nut                                 |
| 17   | 0804 412373 | SPINDEL K<br>(MIT POS. 18)                 | spindel<br>(with pos. 18)                     |
| 18   | 9203 003042 | ZYL. SCHR.                                 | cyl. screw                                    |
| 19   | 9301 101911 | ZYL. STIFT                                 | cylinder pin                                  |
| 20   | 9301 101611 | ZYL. STIFT                                 | cylinder pin                                  |
| 21   | 0893 520940 | GEW. STIFT                                 | threaded pin                                  |
| 22   | 0996 120387 | STELLRING                                  | set-ring, adjusting                           |
| 23   | 9332 500130 | FEDERSCHEIBE                               | spring disc                                   |
| 24   | 0804 412313 | GELENK                                     | joint   |
| 25   | 0804 412323 | GELENK                                     | joint   |
| 26   | 0805 410400 | BOLZEN                                     | bolt, stud                                    |
| 27   | 9330 000087 | SCHEIBE                                    | disc  |
| 28   | 0805 411220 | BOLZEN                                     | bolt, stud                                    |
| 29   | 0805 410803 | PLATTE V                                   | plate   |
| 30   | 0805 411240 | BUCHSE                                     | bushing                                       |
| 31   | 0999 220855 | ZYLINDER,DOPPEL                            | cylinder,double                               |

| Pos. | Teile-Nr.   | Benennung                    | Denomination             |
|------|-------------|------------------------------|--------------------------|
| 32   | 0805 411260 | FEDERBLECH                   | spring plate             |
| 33   | 0805 410600 | DISTANZLEISTE                | distance reglet          |
| 34   | 0805 411940 | SEITENSCHIEBER<br>(95 lang)  | side slide<br>(95 long)  |
| 34   | 0805 411950 | SEITENSCHIEBER<br>(125 lang) | side slide<br>(125 long) |
| 34   | 0805 411960 | SEITENSCHIEBER<br>(170 lang) | side slide<br>(170 long) |
| 35   | 0805 410570 | GLEITPLATTE                  | slide plate              |
| 36   | 9231 000377 | 6KT. MUTTER                  | hexagonal nut            |
| 37   | 0805 411250 | FEDERBLECH                   | spring plate             |
| 38   | 9202 002067 | ZYL. SCHR.                   | cyl. screw               |
| 39   | 9330 900097 | SCHEIBE                      | disc                     |
| 40   | 0805 410500 | PLATTE                       | plate                    |
| 41   | 9203 313667 | SENKSCHR.                    | sunk screw               |
| 42   | 9790 202000 | VERSCHR.T-E                  | coupling                 |
| 43   | 9790 201000 | VERSCHR.WI-E                 | coupling                 |
| 44   | 9231 110107 | 6KT. MUTTER                  | hexagonal nut            |
| 45   | 0805 412530 | ANSCHLAG                     | guide                    |
| 46   | 9201 112877 | 6KT. SCHR.                   | hexagonal screw          |
| 47   | 9203 313997 | SENKSCHR.                    | sunk screw               |
| 48   | 0805 412140 | STREBE                       | strut                    |
| 49   | 0805 410810 | PLATTE                       | plate                    |
| 50   | 9202 002067 | ZYL. SCHR.                   | cyl. screw               |
| 51   | 9203 313677 | SENKSCHR.                    | sunk screw               |
| 52   | 0805 410830 | PLATTE                       | plate                    |
| 53   | 0999 240408 | Y-STECKANSCHL.               | connection               |
| 54   | 9710 920011 | VENTIL,DROSSEL               | valve reactor            |
| 55   | 9231 110037 | 6KT. MUTTER                  | hexagonal nut            |
| 56   | 0805 410942 | PLATTE                       | plate                    |
| 57   | 0805 410932 | FEDERBLECH 0,3               | spring plate 0,3         |
| 57   | 0805 412512 | FEDERBLECH 0,6               | spring plate 0,6         |
| 58   | 0805 411980 | VORDERSCHIEBER<br>(40 lang)  | slide<br>(40 long)       |
| 59   | 0999 210661 | GEW. EINSATZ                 | threaded insert          |
| 60   | 9203 313077 | SENKSCHR.                    | sunk screw               |
| 61   | 9731 005004 | SCHLAUCH                     | hose                     |



Jeans

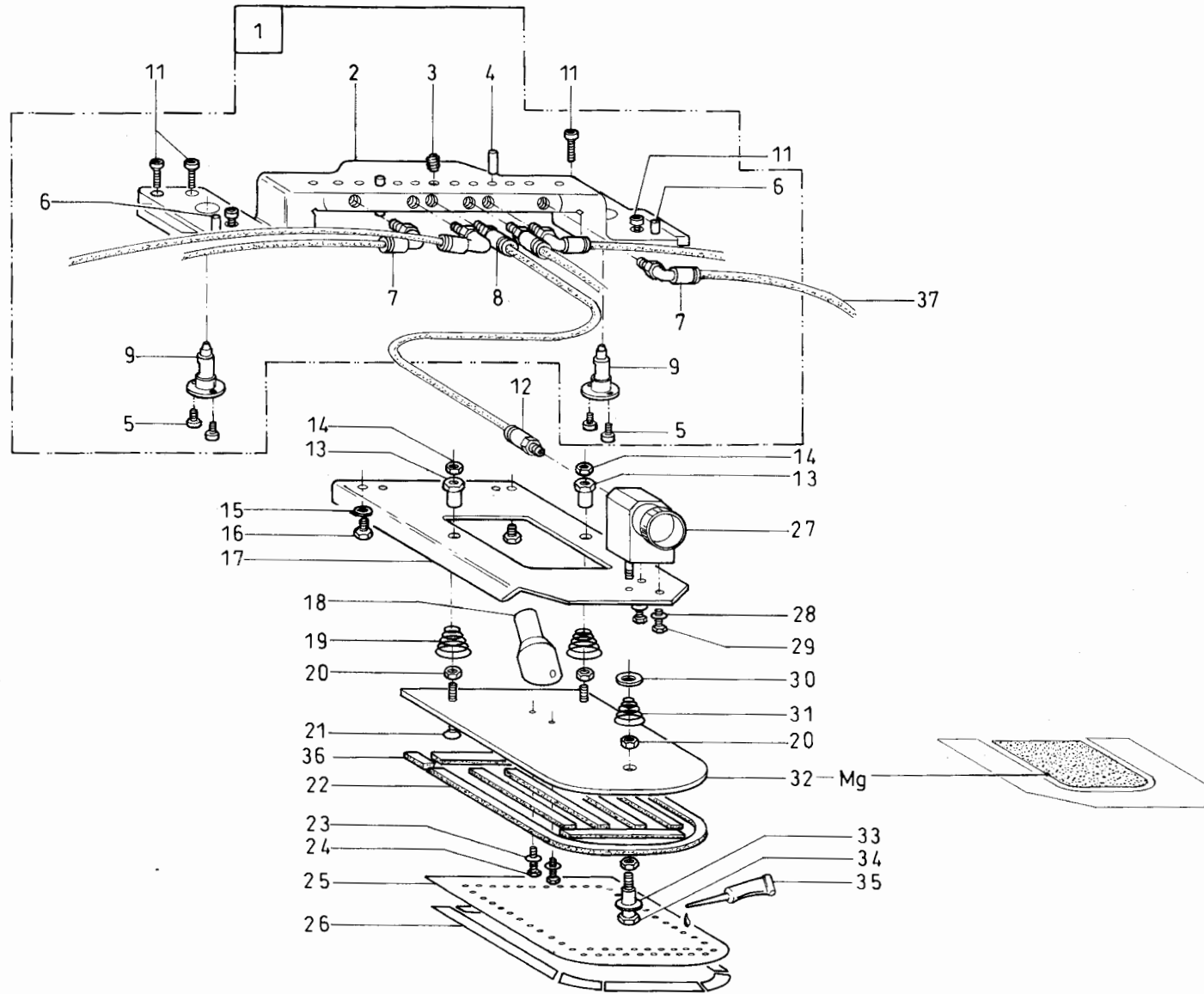


Mg= mustergebunden / calls for a sample

| Pos. | Teile-Nr.   | Benennung       | Denomination        |
|------|-------------|-----------------|---------------------|
| 62   | 0806 410350 | SCHUTZABDECKUNG | protective covering |
| 63   | 9830 503012 | DISTANZBOLZEN   | dolt                |
| 64   | 9330 000067 | SCHEIBE         | disc                |
| 65   | 9202 001668 | ZYL. SCHR.      | cyl.screw           |

| Pos. | Teile-Nr. | Benennung | Denomination |
|------|-----------|-----------|--------------|
|------|-----------|-----------|--------------|

Jeans

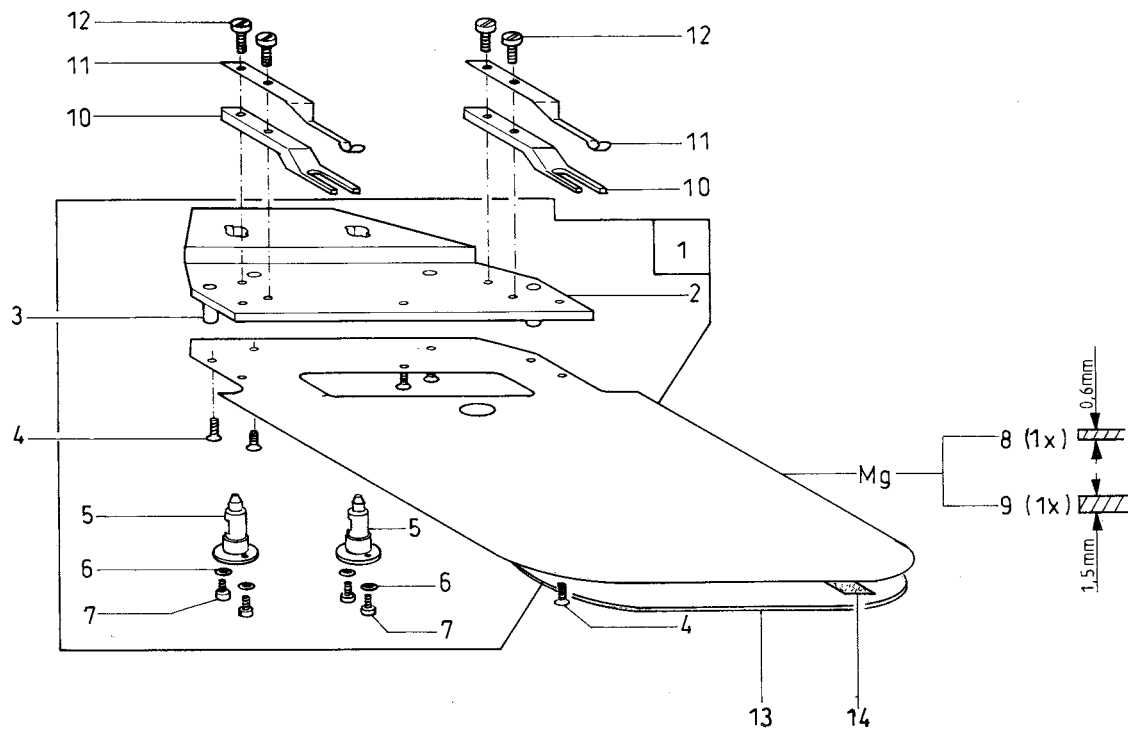


Mg = mustergebunden / calls for a sample

| Pos. | Teile-Nr.   | Benennung                                  | Denomination                                  |
|------|-------------|--|---|
|      |             | UMBUGSATZ (F10.../F15...)<br>KL. 806 - 111 | CREASING SET (F10.../F15...)<br>CL. 806 - 111 |
| 1    | 0805 410033 | BRUECKE K<br>(MIT POS.2-10)                | bridge<br>(with pos. 2-10)                    |
| 2    | 0805 410033 | BRUECKE                                    | bridge  |
| 3    | 0895 340740 | GEW. EINSATZ                               | threaded insert                               |
| 4    | 9301 101891 | ZYL. STIFT                                 | cylinder pin                                  |
| 5    | 9203 003037 | ZYL. SCHR.                                 | cyl. screw                                    |
| 6    | 0996 790570 | BOHRBUCHSE                                 | bushing                                       |
| 7    | 9790 201000 | VERSCHR.WI-E                               | coupling                                      |
| 8    | 9790 200000 | VERSCHR.GD-E                               | coupling                                      |
| 9    | 0805 410100 | BOLZEN                                     | bolt, stud                                    |
| 11   | 9202 042087 | ZYL. SCHR.                                 | cyl. screw                                    |
| 12   | 9790 200000 | VERSCHR.GD-E                               | coupling                                      |
| 13   | 0805 410680 | BUCHSE                                     | bushing                                       |
| 14   | 9231 110057 | 6KT. MUTTER                                | hexagonal nut                                 |
| 15   | 9330 000087 | SCHEIBE                                    | disc  |
| 16   | 9201 112877 | 6KT. SCHR.                                 | hexagonal screw                               |
| 17   | 0805 410650 | PLATTE<br>(146 lang)                       | plate<br>(146 long)                           |
| 17   | 0805 410660 | PLATTE<br>(178 lang)                       | plate<br>(178 long)                           |
| 17   | 0805 410670 | PLATTE<br>(228 lang)                       | plate<br>(228 long)                           |
| 18   | 0805 410700 | ANSAUGSTUTZEN                              | muff  |
| 19   | 0081 110030 | SPANNUNGSFEDER                             | tension spring                                |
| 20   | 9231 110057 | 6KT. MUTTER                                | hexagonal nut                                 |
| 21   | 9203 313697 | SENKSCHR.                                  | sunk screw                                    |
| 22   | 0699 980400 | MOOSGUMMI                                  | rubber  |
| 23   | 9330 000067 | SCHEIBE                                    | disc  |
| 24   | 9201 111257 | 6KT. SCHR.                                 | hexagonal screw                               |
| 25   | 0805 410820 | PLATTE                                     | plate   |
| 26   | 0699 989137 | KLEBEBAND                                  | tape adhesive                                 |
| 27   | 0999 220827 | ZYLINDER,EINF.                             | cylinder                                      |
| 28   | 9330 000087 | SCHEIBE                                    | disc  |

| Pos. | Teile-Nr.   | Benennung         | Denomination         |
|------|-------------|-------------------|----------------------|
| 29   | 9201 112467 | 6KT. SCHR.        | hexagonal screw      |
| 30   | 0998 881010 | PASZSCHEIBE       | washer               |
| 31   | 0805 410690 | KEGELST.FEDER 1,5 | taper pin spring 1,5 |
| 31   | 0805 412560 | KEGELFEDER 0,8    | cone spring 0,8      |
| 32   | 0805 410803 | PLATTE V          | plate                |
| 33   | 0998 881070 | PASZSCHEIBE       | washer               |
| 34   | 0805 410680 | BUCHSE            | bushing              |
| 35   | 9049 041009 | KLEBER,KRAFT      | adhesive             |
| 36   | 0805 411270 | PLATTE            | plate                |
| 37   | 9731 005004 | SCHLAUCH          | hose                 |

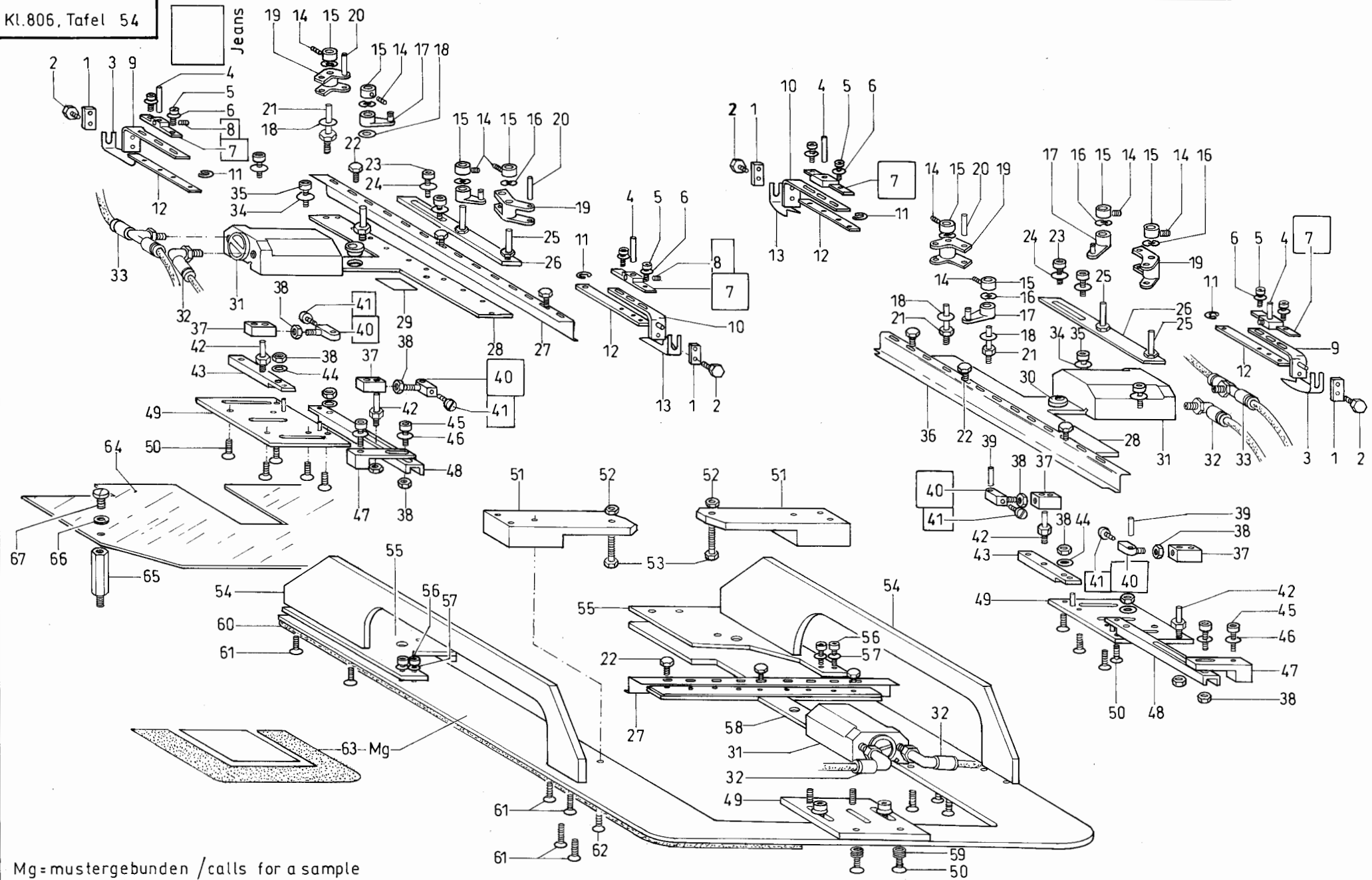
Jeans





| Pos. | Teile-Nr.   | Benennung                                  | Denomination                                  |
|------|-------------|--|---|
|      |             | UMBUGSATZ (F10.../F15...)<br>KL. 806 - 111 | CREASING SET (F10.../F15...)<br>CL. 806 - 111 |
| 1    | 0805 410873 | HALTER V<br>(MIT POS.2, 5-7)               | holder<br>(with pos. 2,5-7)                   |
| 2    | 0805 410870 | HALTER                                     | holder  |
| 3    | 0805 410880 | STIFT                                      | pin   |
| 4    | 9203 313647 | SENKSCHR.                                  | sunk screw                                    |
| 5    | 0805 410100 | BOLZEN                                     | bolt, stud                                    |
| 6    | 9330 000067 | SCHEIBE                                    | disc  |
| 7    | 9203 003037 | ZYL. SCHR.                                 | cyl. screw                                    |
| 8    | 0805 410852 | SCHIEBERBLECH                              | centre slider                                 |
| 9    | 0805 412522 | SCHIEBERBLECH                              | centre slider                                 |
| 10   | 0805 410910 | ANSCHLAG                                   | guide   |
| 11   | 0805 410920 | KLEMME                                     | clamp   |
| 12   | 9203 123687 | FLACHKOPFSCHR.                             | countersunk screw                             |
| 13   | 0805 411212 | SCHIEBERBLECH                              | centre slider                                 |
| 14   | 0699 989155 | KLEBEBAND                                  | tape adhesive                                 |

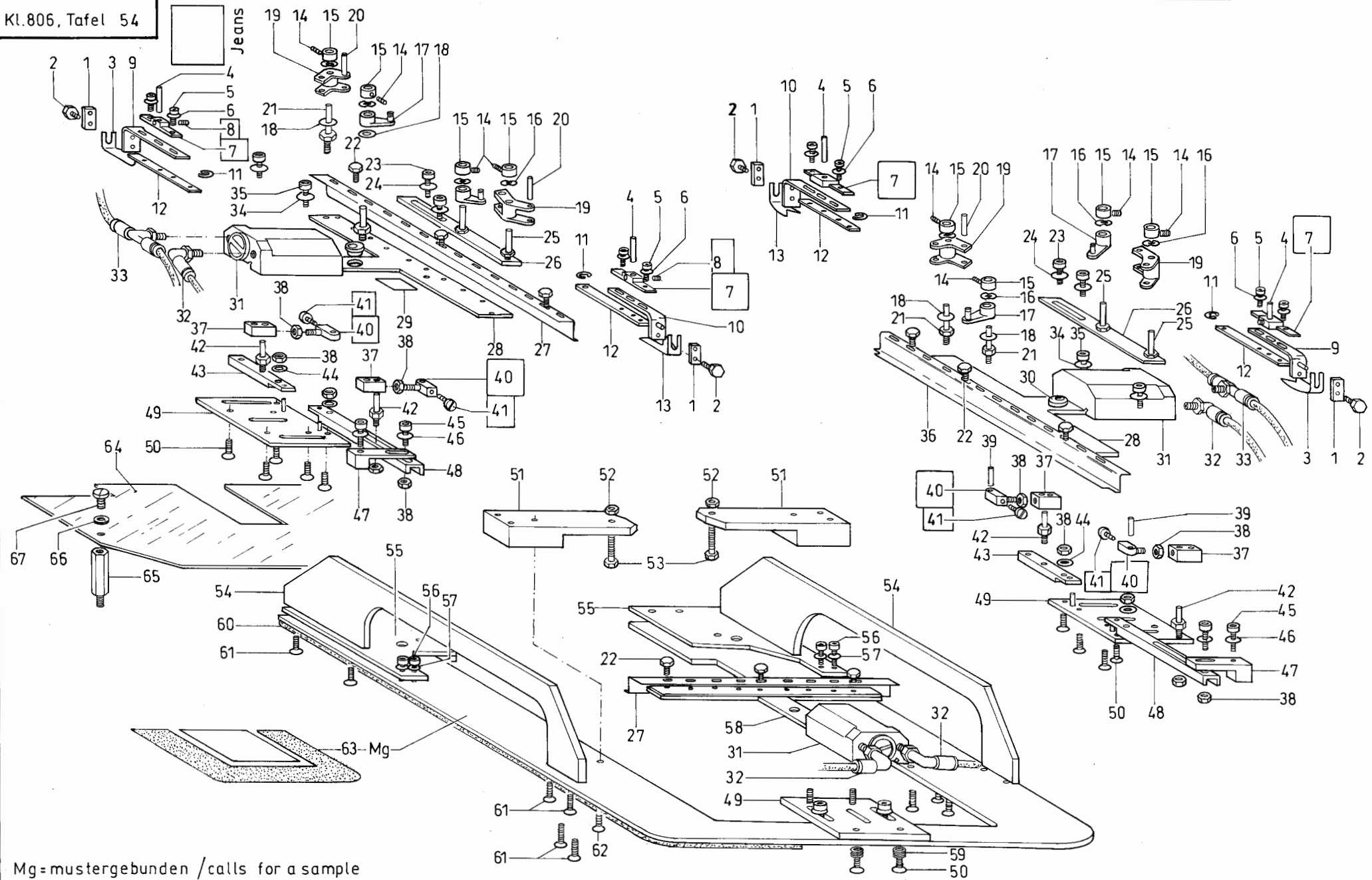
| Pos. | Teile-Nr. | Benennung | Denomination |
|------|-----------|-----------|--------------|
|------|-----------|-----------|--------------|



Mg=mustergebunden /calls for a sample

| Pos. | Teile-Nr.   | Benennung                    | Denomination                 |
|------|-------------|------------------------------|------------------------------|
|      |             | UMBUGSATZ (F20.../F25...)    | creasing set (F20.../F25...) |
|      |             | KL. 806 - 111                | CL. 806 - 111                |
| 1    | 0804 411700 | PLATTE                       | plate                        |
| 2    | 9201 111227 | 6KT. SCHR.                   | hexagonal screw              |
| 3    | 0804 412260 | WINKELSCHIEBER               | slide                        |
| 4    | 9301 101611 | ZYL. STIFT                   | cylinder pin                 |
| 5    | 9203 003052 | ZYL. SCHR.                   | cyl. screw                   |
| 6    | 9330 000067 | SCHEIBE                      | disc                         |
| 7    | 0804 412383 | FUEHRUNG<br>(MIT POS.8)      | guide<br>(with pos. 8)       |
| 8    | 0993 520740 | GEW. STIFT                   | threaded pin                 |
| 9    | 0804 412273 | SCHIEBER V                   | slide                        |
| 10   | 0804 412283 | SCHIEBER V                   | slide                        |
| 11   | 9357 000040 | SICH. SCHEIBE                | fastenig disc                |
| 12   | 0805 410390 | LEISTE                       | rail                         |
| 13   | 0804 412250 | WINKELSCHIEBER               | slide                        |
| 14   | 0893 520940 | GEW. STIFT                   | threaded pin                 |
| 15   | 0996 120387 | STELLRING                    | set-ring, adjusting          |
| 16   | 9332 500130 | FEDERSCHEIBE                 | spring disc                  |
| 17   | 0804 412323 | GELENK                       | joint                        |
| 18   | 9330 000087 | SCHEIBE                      | disc                         |
| 19   | 0808 412313 | GELENK                       | joint                        |
| 20   | 9301 101911 | ZYL. STIFT                   | cylinder pin                 |
| 21   | 0805 411220 | BOLZEN                       | bolt, stud                   |
| 22   | 9201 111227 | 6KT. SCHR.                   | hexagonal screw              |
| 23   | 9330 900097 | SCHEIBE                      | disc                         |
| 24   | 9202 002077 | ZYL. SCHR.                   | cyl. screw                   |
| 25   | 0805 411290 | BOLZEN                       | bolt                         |
| 26   | 0805 412000 | LEISTE                       | rail                         |
| 27   | 0805 411260 | FEDERBLECH                   | spring plate                 |
| 28   | 0805 411940 | SEITENSCHIEBER<br>(95 lang)  | side slide<br>(95 long)      |
| 28   | 0805 411950 | SEITENSCHIEBER<br>(125 lang) | side slide<br>(125 long)     |
| 28   | 0805 411960 | SEITENSCHIEBER               | side slide                   |

| Pos. | Teile-Nr.   | Benennung                    | Denomination              |
|------|-------------|------------------------------|---------------------------|
|      |             | (170 lang)                   | (170 long)                |
| 29   | 0805 410570 | GLEITPLATTE                  | slide plate               |
| 30   | 0805 411240 | BUCHSE                       | bushing                   |
| 31   | 0999 220855 | ZYLINDER,DOPPEL              | cylinder,double           |
| 32   | 9790 202000 | VERSCHR.T-E                  | coupling                  |
| 33   | 9790 201000 | VERSCHR.WI-E                 | coupling                  |
| 34   | 9330 000097 | SCHEIBE                      | disc                      |
| 35   | 9202 002067 | ZYL. SCHR.                   | cyl. screw                |
| 36   | 0805 411250 | FEDERBLECH                   | spring plate              |
| 37   | 0805 411230 | GELENK                       | joint                     |
| 38   | 9231 110057 | 6KT. MUTTER                  | hexagonal nut             |
| 39   | 9301 101911 | ZYL. STIFT                   | cylinder pin              |
| 40   | 0804 412373 | SPINDEL K<br>(MIT POS.41)    | spindel<br>(with pos. 41) |
| 41   | 9203 003042 | ZYL. SCHR.                   | cyl. screw                |
| 42   | 9301 101911 | ZYL. STIFT                   | cylinder pin              |
| 43   | 0805 410430 | LEISTE                       | rail                      |
| 44   | 9330 000087 | SCHEIBE                      | disc                      |
| 45   | 9202 002377 | ZYL. SCHR.                   | cyl. screw                |
| 46   | 9330 000087 | SCHEIBE                      | disc                      |
| 47   | 0805 410490 | WINKEL                       | angle                     |
| 48   | 0805 410440 | LEISTE                       | rail                      |
| 49   | 0805 410500 | PLATTE                       | plate                     |
| 50   | 9203 313667 | SENKSCHR.                    | sunk screw                |
| 51   | 0805 412530 | ANSCHLAG                     | guide                     |
| 52   | 9231 110107 | 6KT. MUTTER                  | hexagonal nut             |
| 53   | 9201 112877 | 6KT. SCHR.                   | hexagonal screw           |
| 54   | 0805 412140 | STREBE                       | strut                     |
| 55   | 0805 410810 | PLATTE                       | plate                     |
| 56   | 9202 002067 | ZYL. SCHR.                   | cyl. screw                |
| 57   | 9330 000087 | SCHEIBE                      | disc                      |
| 58   | 0805 411990 | VORDERSCHIEBER<br>(170 lang) | slide<br>(170 long)       |
| 59   | 0999 210661 | GEW. EINSATZ                 | threaded insert           |
| 60   | 0805 410830 | PLATTE                       | plate                     |
| 61   | 9203 313677 | SENKSCHR.                    | sunk screw                |
| 62   | 9203 313997 | SENKSCHR.                    | sunk screw                |

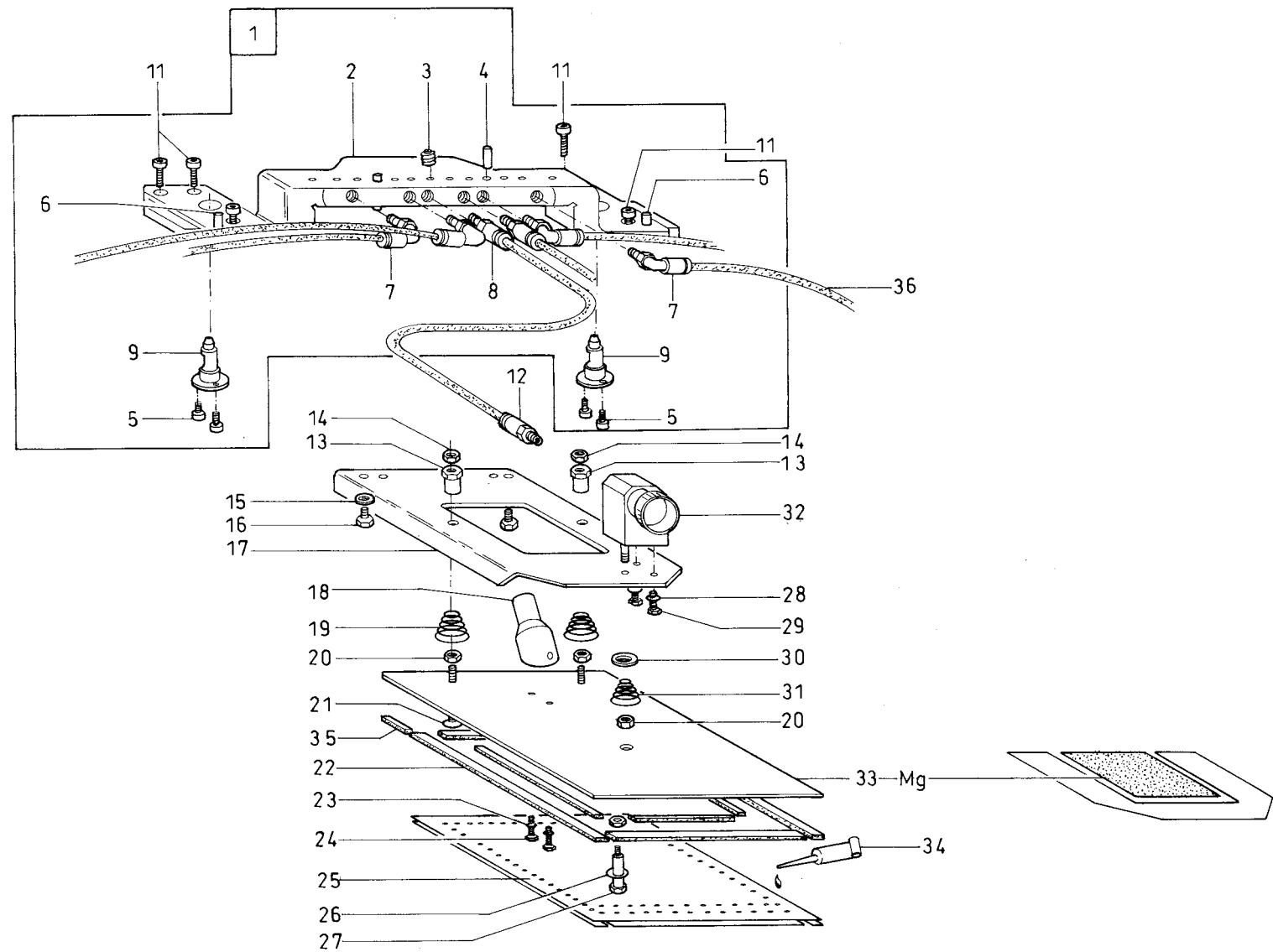


Mg=mustergebunden /calls for a sample

| Pos. | Teile-Nr.   | Benennung       | Denomination        |
|------|-------------|-----------------|---------------------|
| 63   | 0805 410803 | PLATTE V        | plate               |
| 64   | 0806 410350 | SCHUTZABDECKUNG | protective covering |
| 65   | 9830 503012 | DISTANZBOLZEN   | bolt                |
| 66   | 9330 000067 | SCHEIBE         | disc                |
| 67   | 9202 001668 | ZYL. SCHR.      | cyl. screw          |

| Pos. | Teile-Nr. | Benennung | Denomination |
|------|-----------|-----------|--------------|
|------|-----------|-----------|--------------|

Jeans

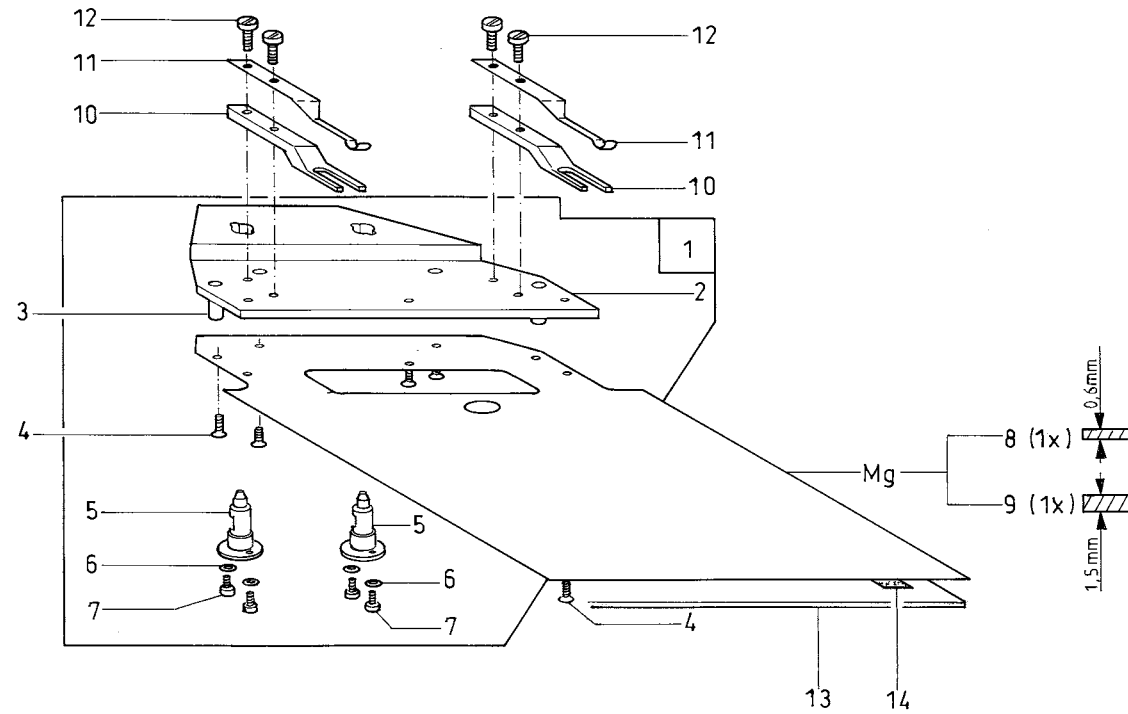


Mg=mustergebunden / calls for a sample

| Pos. | Teile-Nr.   | Benennung                                  | Denomination                                  |
|------|-------------|--|---|
|      |             | UMBUGSATZ (F20.../F25...)<br>KL. 806 - 111 | CREASING SET (F20.../F25...)<br>Cl. 806 - 111 |
| 1    | 0805 410033 | BRUECKE K<br>(MIT POS.2-10)                | bridge<br>(with pos. 2-10)                    |
| 2    | 0805 410033 | BRUECKE                                    | bridge  |
| 3    | 0895 340740 | GEW. EINSATZ                               | threaded insert                               |
| 4    | 9301 101891 | ZYL. STIFT                                 | cylinder pin                                  |
| 5    | 9203 003037 | ZYL. SCHR.                                 | cyl. screw                                    |
| 6    | 0996 790570 | BOHRBUCHSE                                 | bushing                                       |
| 7    | 9790 201000 | VERSCHR.WI-E                               | coupling                                      |
| 8    | 9790 200000 | VERSCHR.GD-E                               | coupling                                      |
| 9    | 0805 410100 | BOLZEN                                     | bolt, stud                                    |
| 11   | 9202 042087 | ZYL. SCHR.                                 | cyl. screw                                    |
| 12   | 9790 200000 | VERSCHR.GD-E                               | coupling                                      |
| 13   | 0805 410680 | BUCHSE                                     | bushing                                       |
| 14   | 9231 110057 | 6KT. MUTTER                                | hexagonal nut                                 |
| 15   | 9330 000087 | SCHEIBE                                    | disc  |
| 16   | 9201 112877 | 6KT. SCHR.                                 | hexagonal screw                               |
| 17   | 0805 410650 | PLATTE<br>(146 lang)                       | plate<br>(146 long)                           |
| 17   | 0805 410660 | PLATTE<br>(178 lang)                       | plate<br>(178 long)                           |
| 17   | 0805 410670 | PLATTE<br>(228 lang)                       | plate<br>(228 long)                           |
| 18   | 0805 410700 | ANSAUGSTUTZEN                              | muff  |
| 19   | 0081 110030 | SPANNUNGSFEDER                             | tension spring                                |
| 20   | 9231 110057 | 6KT. MUTTER                                | hexagonal nut                                 |
| 21   | 9203 313697 | SENKSCHR.                                  | sunk screw                                    |
| 22   | 0699 980400 | MOOSGUMMI                                  | rubber  |
| 23   | 9330 000067 | SCHEIBE                                    | disc  |
| 24   | 9201 111257 | 6KT. SCHR.                                 | hexagonal screw                               |
| 25   | 0805 410820 | PLATTE                                     | plate   |
| 26   | 0998 881070 | PASZSCHEIBE                                | washer  |
| 27   | 0805 410680 | BUCHSE                                     | bushing                                       |
| 28   | 9330 000087 | SCHEIBE                                    | disc  |

| Pos. | Teile-Nr.   | Benennung         | Denomination         |
|------|-------------|-------------------|----------------------|
| 29   | 9201 112467 | 6KT. SCHR.        | hexagonal screw      |
| 30   | 0998 881010 | PASZSCHEIBE       | washer               |
| 31   | 0805 410690 | KEGELST.FEDER 1,5 | taper pin spring 1,5 |
| 31   | 0805 412560 | KEGELFEDER 0,8    | cone spring 0,8      |
| 32   | 0999 220827 | ZYLINDER,EINF.    | cylinder             |
| 33   | 0805 410803 | PLATTE V          | plate                |
| 34   | 9049 041009 | KLEBER,KRAFT      | adhesive             |
| 35   | 0805 411270 | PLATTE            | plate                |
| 36   | 9731 005004 | SCHLAUCH          | hose                 |

Jeans

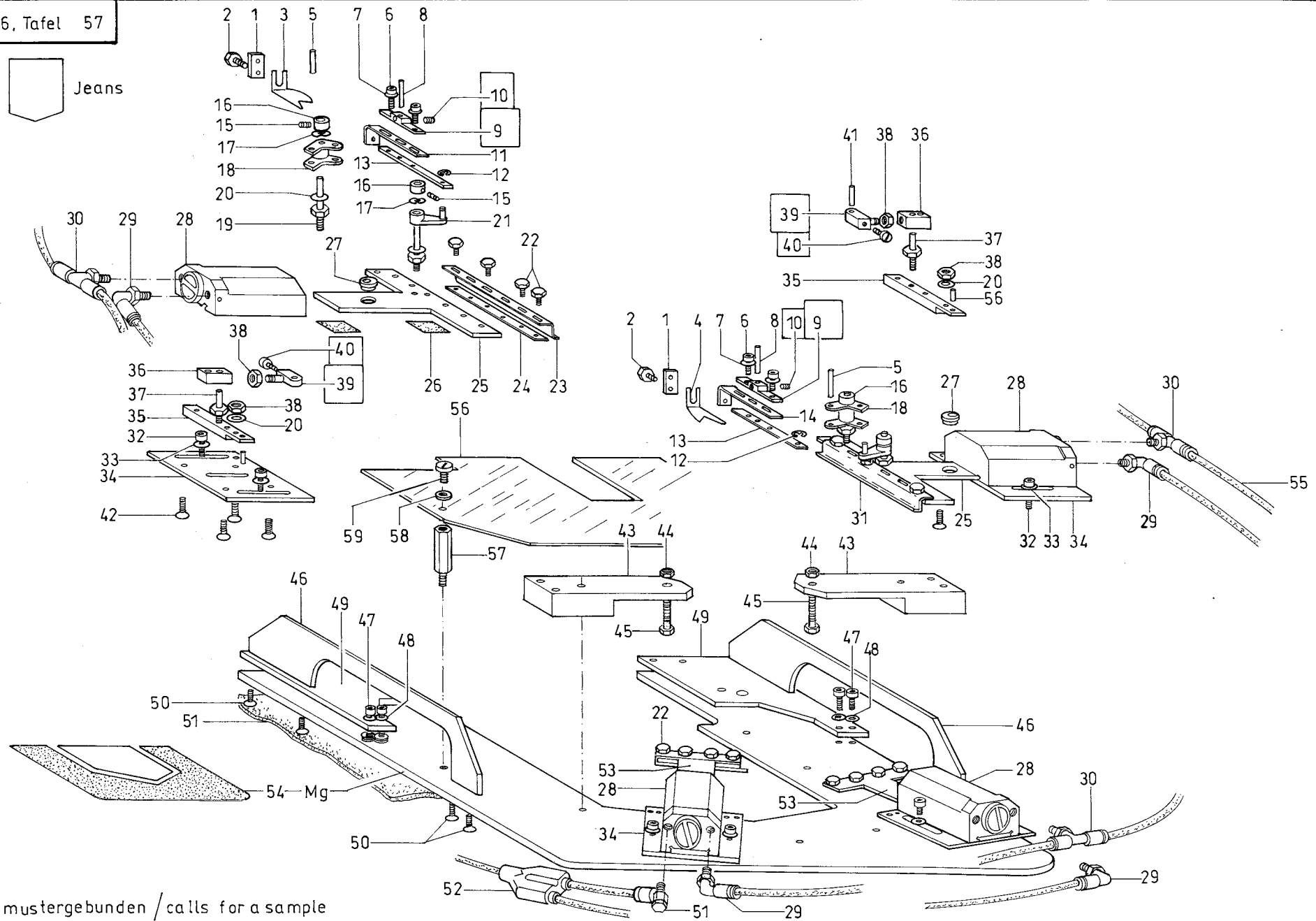


Mg = mustergebunden / calls for a sample



| Pos. | Teile-Nr.   | Benennung                                  | Denomination                                  |
|------|-------------|--|---|
|      |             | UMBUGSATZ (F20.../F25...)<br>KL. 806 - 111 | CREASING SET (F20.../F25...)<br>CL. 806 - 111 |
| 1    | 0805 410873 | HALTER V<br>(MIT POS.2, 5-7)               | holder<br>(with pos. 2, 5-7)                  |
| 2    | 0805 410870 | HALTER                                     | holder  |
| 3    | 0805 410880 | STIFT                                      | pin   |
| 4    | 9203 313647 | SENKSCHR.                                  | sunk screw                                    |
| 5    | 0805 410100 | BOLZEN                                     | bolt, stud                                    |
| 6    | 9330 000067 | SCHEIBE                                    | disc  |
| 7    | 9203 003037 | ZYL. SCHR.                                 | cyl. screw                                    |
| 8    | 0805 410852 | SCHIEBERBLECH                              | centre slider                                 |
| 9    | 0805 412522 | SCHIEBERBLECH                              | centre slider                                 |
| 10   | 0805 410910 | ANSCHLAG                                   | guide   |
| 11   | 0805 410920 | KLEMME                                     | clamp   |
| 12   | 9203 123687 | FLACHKOPFSCHR.                             | countersunk screw                             |
| 13   | 0805 411212 | SCHIEBERBLECH                              | centre slider                                 |
| 14   | 0699 989155 | KLEBEBAND                                  | tape adhesive                                 |

| Pos. | Teile-Nr. | Benennung | Denomination |
|------|-----------|-----------|--------------|
|------|-----------|-----------|--------------|



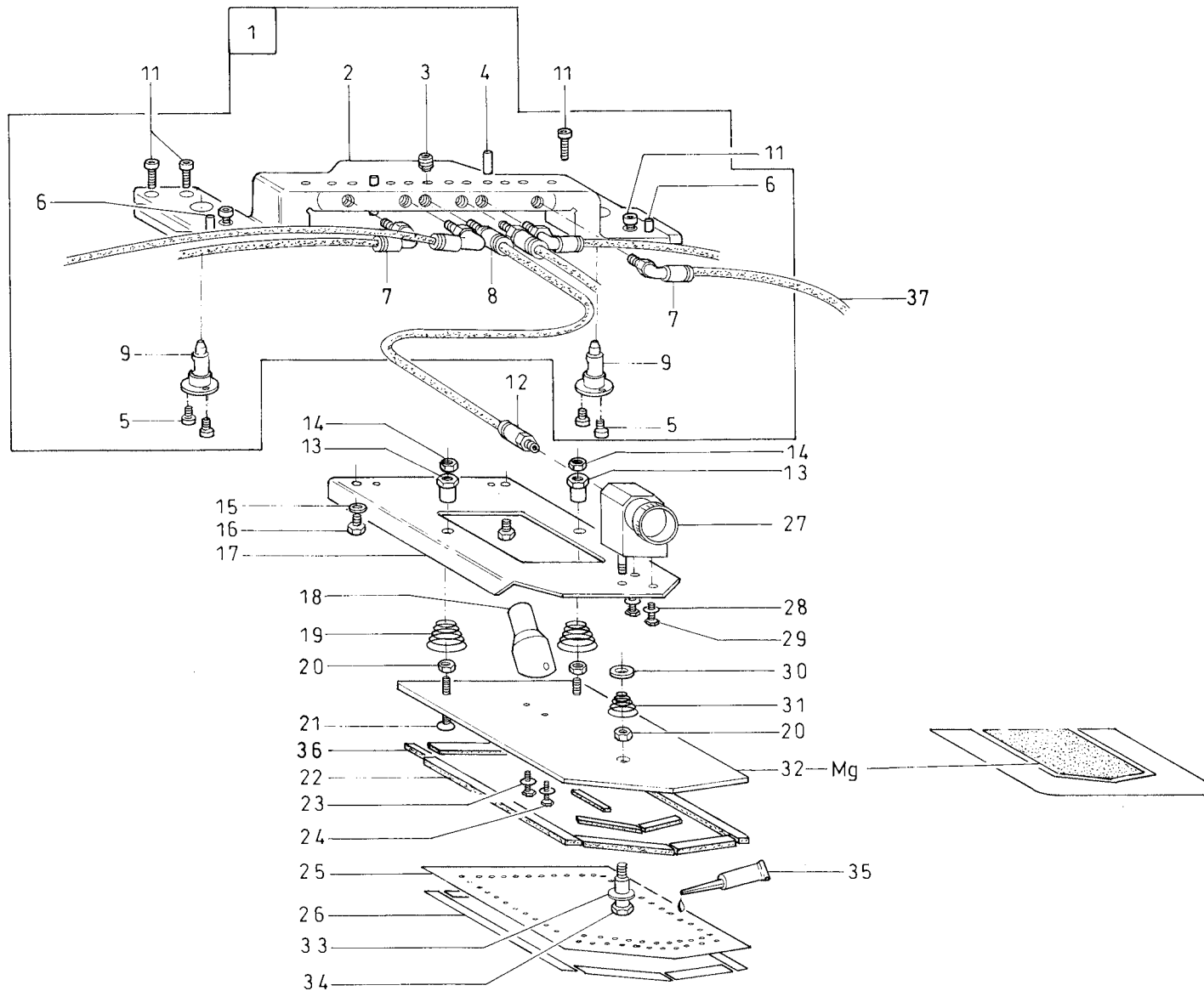
Mg = mustergebunden / calls for a sample

| Pos. | Teile-Nr.   | Benennung                                  | Denomination                                  |
|------|-------------|--|---|
|      |             | UMBUGSATZ (F30.../F35...)<br>KL. 806 - 111 | CREASING SET (F30.../F35...)<br>CL. 806 - 111 |
| 1    | 0804 411700 | PLATTE                                     | plate   |
| 2    | 9201 111227 | 6KT. SCHR.                                 | hexagonal screw                               |
| 3    | 0804 412260 | WINKELSCHIEBER                             | slide   |
| 4    | 0804 412250 | WINKELSCHIEBER                             | slide   |
| 5    | 9301 101911 | ZYL. STIFT                                 | cyl. pin                                      |
| 6    | 9203 003052 | ZYL. SCHR.                                 | cyl. screw                                    |
| 7    | 9201 111257 | 6KT. SCHR.                                 | hexagonal screw                               |
| 8    | 9301 101611 | ZYL. STIFT                                 | cylinder pin                                  |
| 9    | 0804 412383 | FUEHRUNG<br>(MIT POS.10)                   | guide<br>(with pos. 10)                       |
| 10   | 0993 520740 | GEW. STIFT                                 | threaded pin                                  |
| 11   | 0804 412273 | SCHIEBER V                                 | slide   |
| 12   | 9357 000040 | SICH. SCHEIBE                              | fastennig disc                                |
| 13   | 0805 410600 | DISTANZLEISTE                              | distance reglet                               |
| 14   | 0804 412283 | SCHIEBER V                                 | slide   |
| 15   | 0893 520940 | GEW.STIFT                                  | threaded pin                                  |
| 16   | 0996 120387 | STELLRING                                  | set-ring, adjusting                           |
| 17   | 9332 500130 | FEDERSCHEIBE                               | spring disc                                   |
| 18   | 0804 412313 | GELENK                                     | joint   |
| 19   | 0805 411220 | BOLZEN                                     | bolt, stud                                    |
| 20   | 9330 000087 | SCHEIBE                                    | disc  |
| 21   | 0804 412323 | GELENK                                     | joint   |
| 22   | 9201 111227 | 6KT.SCHR.                                  | hexagonal screw                               |
| 23   | 0805 411260 | FEDERBLECH                                 | spring plate                                  |
| 24   | 0805 410600 | DISTANZLEISTE                              | distance reglet                               |
| 25   | 0805 411940 | SEITENSCHIEBER<br>(95 lang)                | side slide<br>(95 long)                       |
| 25   | 0805 411950 | SEITENSCHIEBER<br>(125 lang)               | side slide<br>(125 long)                      |
| 25   | 0805 411960 | SEITENSCHIEBER<br>(170 lang)               | side slide<br>(170 long)                      |
| 26   | 0805 410570 | GLEITPLATTE                                | slide plate                                   |
| 27   | 0805 411240 | BUCHSE                                     | bushing                                       |

| Pos. | Teile-Nr.   | Benennung                    | Denomination                   |
|------|-------------|------------------------------|--------------------------------|
| 28   | 0999 220855 | ZYLINDER,DOPPEL              | cylinder,double                |
| 29   | 9790 201000 | VERSCHR. WI-E                | coupling                       |
| 30   | 9790 202000 | VERSCHR.T-E                  | coupling                       |
| 31   | 0805 411250 | FEDERBLECH                   | spring plate                   |
| 32   | 9202 002067 | ZYL. SCHR.                   | cyl. screw                     |
| 33   | 9330 900097 | SCHEIBE                      | disc                           |
| 34   | 0805 410500 | PLATTE                       | plate                          |
| 35   | 0805 410430 | LEISTE                       | rail                           |
| 36   | 0805 411230 | GELENK                       | joint                          |
| 37   | 0805 410400 | BOLZEN                       | bolt, stud                     |
| 38   | 9231 110057 | 6KT. MUTTER                  | hexagonal nut                  |
| 39   | 0804 412373 | SPINDEL K<br>(MIT POS. 40)   | spindel cpl.<br>(with pos. 40) |
| 40   | 9203 003042 | ZYL. SCHR.                   | cyl. screw                     |
| 41   | 9301 101911 | ZYL. STIFT                   | cylinder pin                   |
| 42   | 9203 313667 | SENKSCHR.                    | sunk screw                     |
| 43   | 0805 412530 | ANSCHLAG                     | stop                           |
| 44   | 9231 110107 | 6KT. MUTTER                  | hexagonal nut                  |
| 45   | 9201 112877 | 6KT. SCHR.                   | hexagonal screw                |
| 46   | 0805 412140 | STREBE                       | strut                          |
| 47   | 9202 002067 | ZYL. SCHR.                   | cyl. screw                     |
| 48   | 9330 000087 | SCHEIBE                      | disc                           |
| 49   | 0805 410810 | PLATTE                       | plate                          |
| 50   | 0805 410830 | PLATTE                       | plate                          |
| 51   | 9710 920011 | VENTIL,DROSSEL               | valve reactor                  |
| 52   | 0999 240408 | Y-STECKANSCHL.               | connection                     |
| 53   | 0805 411980 | VORDERSCHIEBER<br>(40 lang)  | slide<br>(40 long)             |
| 53   | 0805 411990 | VORDERSCHIEBER<br>(170 lang) | slide<br>(170 long)            |
| 54   | 0805 410803 | PLATTE V                     | plate                          |
| 55   | 9731 005004 | SCHLAUCH                     | hose                           |
| 56   | 0806 410350 | SCHUTZABDECKUNG              | protective covering            |
| 57   | 9830 503012 | DISTANZBOLZEN                | bolt                           |
| 58   | 9330 000067 | SCHEIBE                      | disc                           |
| 59   | 9202 001668 | ZYL. SCHR.                   | cyl. screw                     |



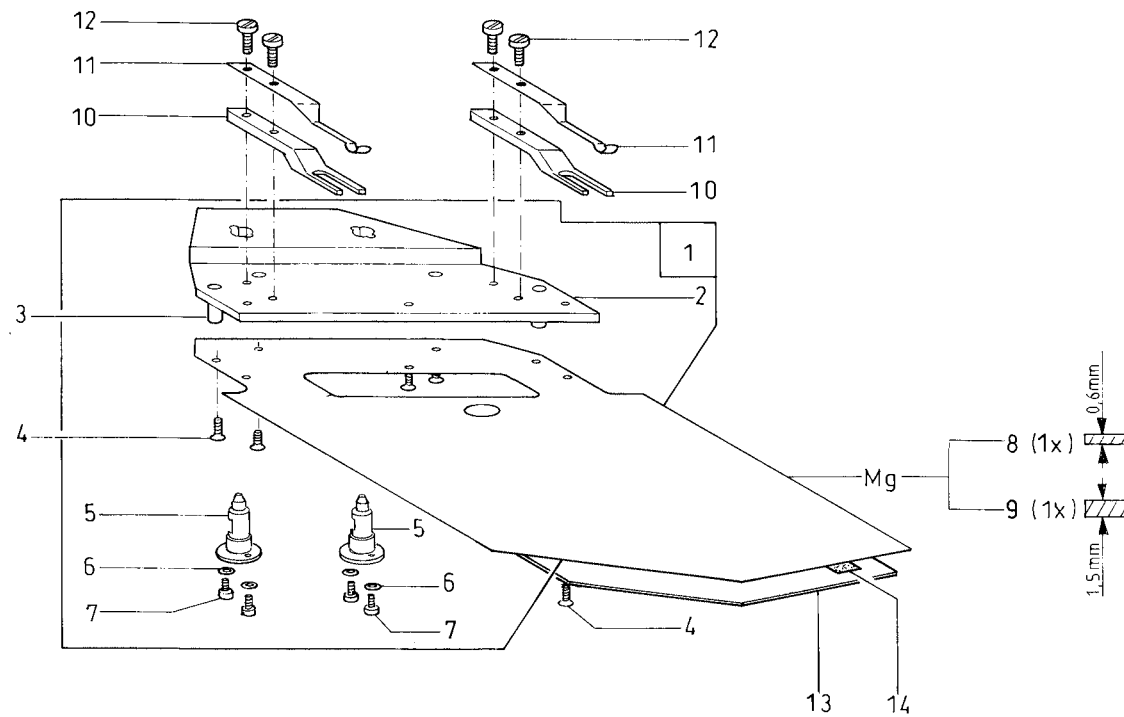
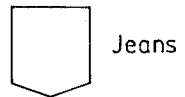
Jeans



Mg= mustergebunden / calls for a sample

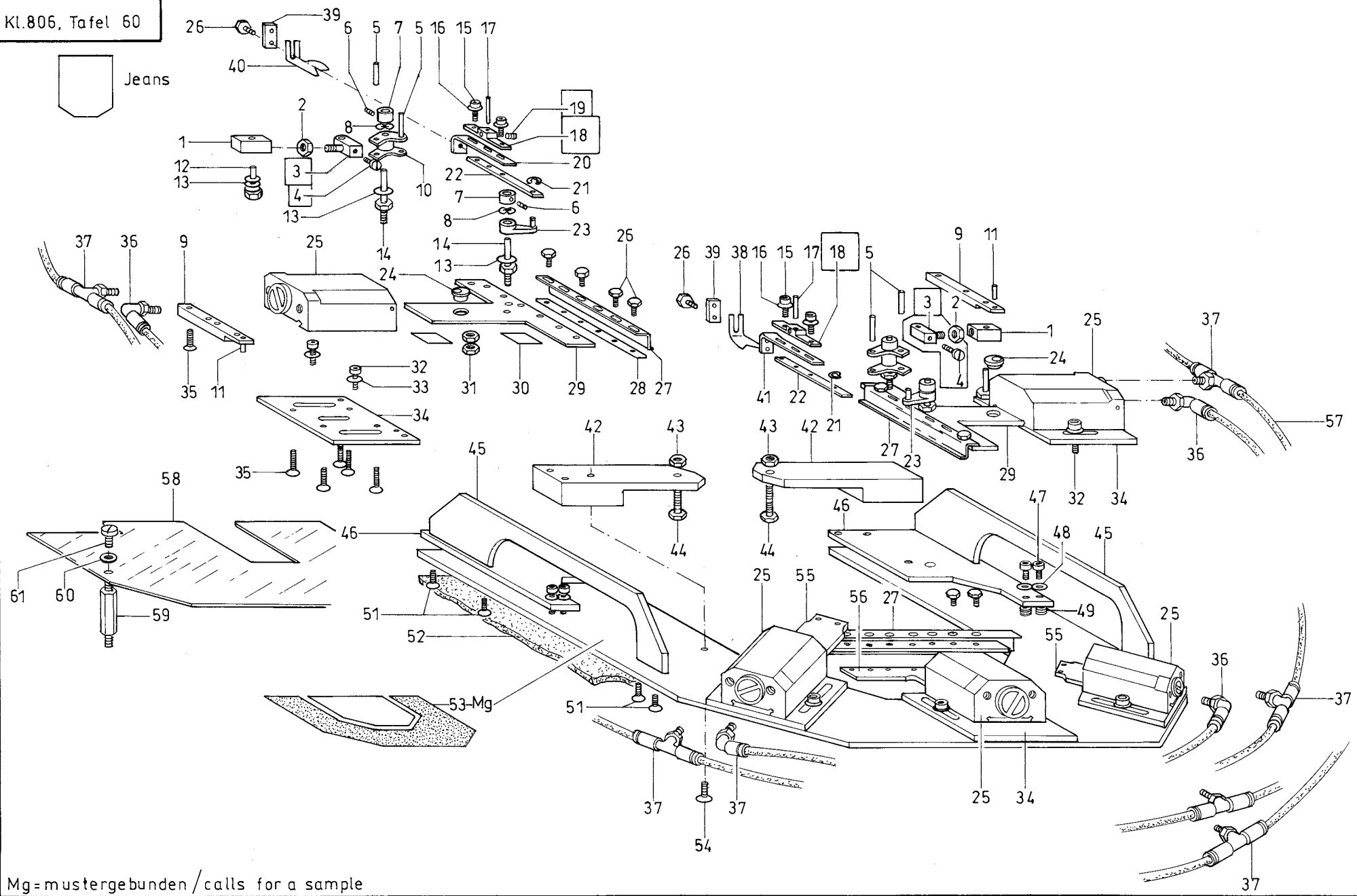
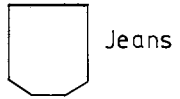
| Pos. | Teile-Nr.   | Benennung                                  | Denomination                                  |
|------|-------------|--|---|
|      |             | UMBUGSATZ (F30.../F35...)<br>KL. 806 - 111 | CREASING SET (F30.../F35...)<br>Cl. 806 - 111 |
| 1    | 0805 410033 | BRUECKE K<br>(MIT POS.2-10)                | bridge cpl.<br>(with pos. 2-10)               |
| 2    | 0805 410033 | BRUECKE                                    | bridge  |
| 3    | 0895 340740 | GEW. INSATZ                                | threaded insert                               |
| 4    | 9301 101891 | ZYL. STIFT                                 | cylinder pin                                  |
| 5    | 9203 003037 | ZYL SCHR.                                  | cyl. screw                                    |
| 6    | 0996 790570 | BOHRBUCHSE                                 | bushing                                       |
| 7    | 9790 201000 | VERSCHR.WI-E                               | coupling                                      |
| 8    | 9790 200000 | VERSCHR.GD-E                               | coupling                                      |
| 9    | 0805 410100 | BOLZEN                                     | bolt, stud                                    |
| 11   | 9202 042087 | ZYL. SCHR.                                 | cyl. screw                                    |
| 12   | 9790 200000 | VERSCHR.GD-E                               | coupling                                      |
| 13   | 0805 410680 | BUCHSE                                     | bushing                                       |
| 14   | 9231 110057 | 6KT. MUTTER                                | hexagonal nut                                 |
| 15   | 9330 000087 | SCHEIBE                                    | disc  |
| 16   | 9201 112877 | 6KT. SCHR.                                 | hexagonal screw                               |
| 17   | 0805 410650 | PLATTE<br>(146 lang)                       | plate<br>(146 long)                           |
| 17   | 0805 410660 | PLATTE<br>(178 lang)                       | plate<br>(178 long)                           |
| 17   | 0805 410670 | PLATTE<br>(228 lang)                       | plate<br>(228 long)                           |
| 18   | 0805 410700 | ANSAUGSTUTZEN                              | muff  |
| 19   | 0081 110030 | SPANNUNGSFEDER                             | tension spring                                |
| 20   | 9231 110057 | 6KT. MUTTER                                | hexagonal nut                                 |
| 21   | 9203 313697 | SENKSCHR.                                  | sunk screw                                    |
| 22   | 0699 980400 | MOOSGUMMI                                  | rubber  |
| 23   | 9330 000067 | SCHEIBE                                    | disc  |
| 24   | 9201 111257 | 6KT. SCHR.                                 | hexagonal screw                               |
| 25   | 0805 410820 | PLATTE                                     | plate   |
| 26   | 0998 881070 | PASZSCHEIBE                                | washer  |
| 27   | 0805 410680 | BUCHSE                                     | bushing                                       |
| 28   | 9330 000087 | SCHEIBE                                    | disc  |

| Pos. | Teile-Nr.   | Benennung         | Denomination         |
|------|-------------|-------------------|----------------------|
| 29   | 9201 112467 | 6KT. SCHR.        | hexagonal screw      |
| 30   | 0998 881010 | PASZSCHEIBE       | washer               |
| 31   | 0805 410690 | KEGELST.FEDER 1,5 | taper pin spring 1,5 |
| 31   | 0805 412560 | KEGELFEDER 0,8    | cone spring 0,8      |
| 32   | 0999 220827 | ZYLINDER,EINF.    | cylinder             |
| 33   | 0805 410803 | PLATTE V          | plate                |
| 34   | 0805 410680 | BUCHSE            | bushing              |
| 35   | 9049 041009 | KLEBER, KRAFT     | adhesive             |
| 36   | 0805 411270 | PLATTE            | plate                |
| 37   | 9731 005004 | SCHLAUCH          | hose                 |



| Pos. | Teile-Nr.   | Benennung                                  | Denomination                                 |
|------|-------------|--|--|
|      |             | UMBUGSATZ (F30.../F35...)<br>KL. 806 - 111 | CREASING SET (F30.../35...)<br>CL. 806 - 111 |
| 1    | 0805 410873 | HALTER V<br>(MIT POS.2, 5-7)               | holder<br>(with pos 2, 5-7)                  |
| 2    | 0805 410870 | HALTER                                     | holder                                       |
| 3    | 0805 410880 | STIFT                                      | pin  |
| 4    | 9203 313647 | SENKSCHR.                                  | sunk screw                                   |
| 5    | 0805 410100 | BOLZEN                                     | bolt, stud                                   |
| 6    | 9330 000067 | SCHEIBE                                    | disc   |
| 7    | 9203 003037 | ZYL. SCHR.                                 | cyl. screw                                   |
| 8    | 0805 410852 | SCHIEBERBLECH                              | centre slider                                |
| 9    | 0805 412522 | SCHIEBERBLECH                              | centre slider                                |
| 10   | 0805 410910 | ANSCHLAG                                   | guide  |
| 11   | 0805 410920 | KLEMME                                     | clamp  |
| 12   | 9203 123687 | FLACHKOPFSCHR.                             | outersunk screw                              |
| 13   | 0805 411212 | SCHIEBERBLECH                              | centre slider                                |
| 14   | 0699 989155 | KLEBEBAND                                  | tape adhesive                                |

| Pos. | Teile-Nr. | Benennung | Denomination |
|------|-----------|-----------|--------------|
|------|-----------|-----------|--------------|



Mg=mustergebunden/calls for a sample

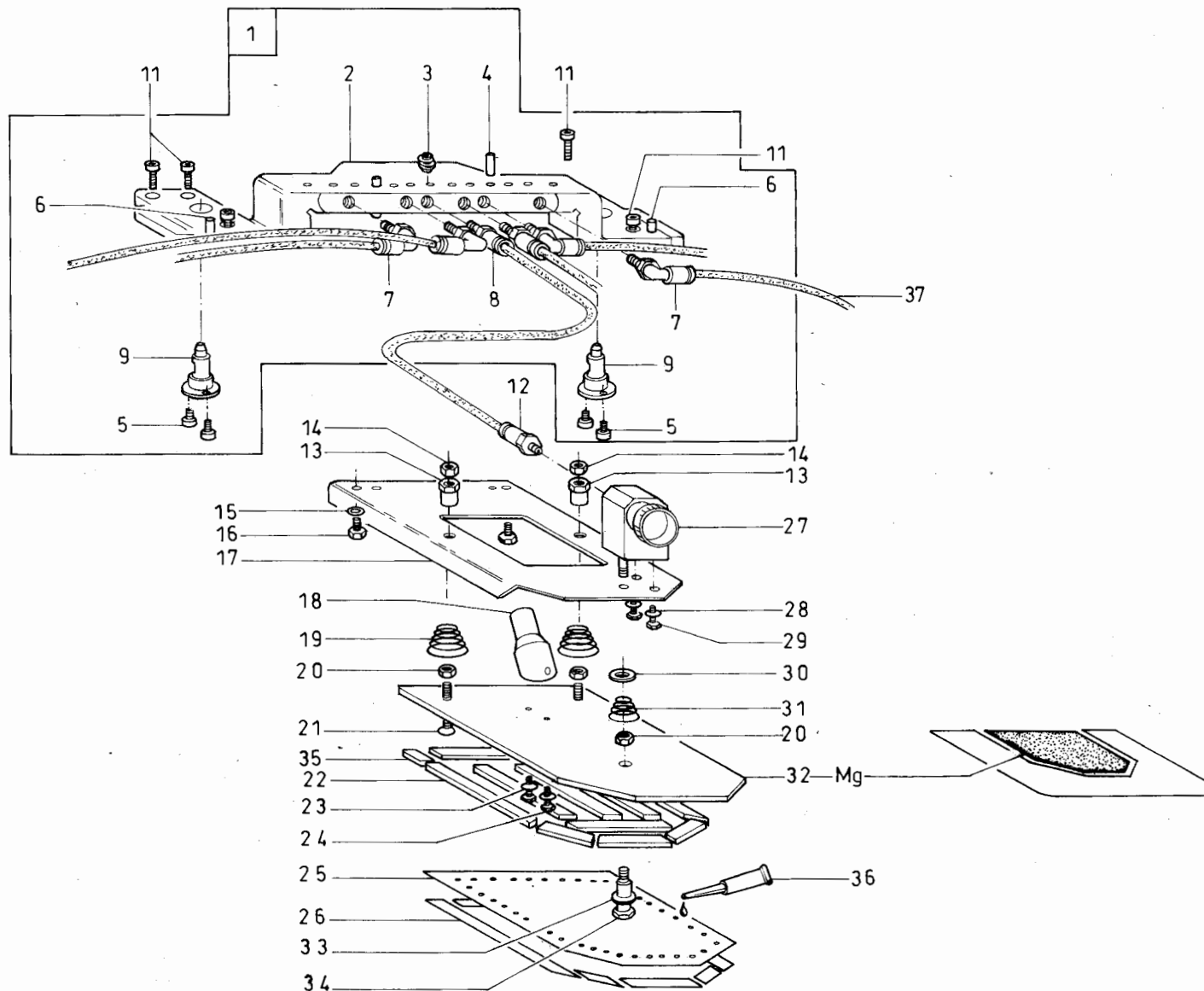


| Pos. | Teile-Nr.   | Benennung                                 | Denomination                                   |
|------|-------------|---|--|
|      |             | UMBUGSATZ (F40.../45...)<br>KL. 806 - 111 | CREASING SET (F40... /F45...)<br>CL. 806 - 111 |
| 1    | 0805 411230 | GELENK                                    | joint  |
| 2    | 9231 110057 | 6KT. MUTTER                               | hexagonal nut                                  |
| 3    | 0804 412373 | SPINDEL K<br>(MIT POS.4)                  | spindle cpl.<br>(with pos. 4)                  |
| 4    | 9203 003042 | ZYL. SCHR.                                | cyl. screw                                     |
| 5    | 9301 101911 | ZYL. STIFT                                | cylinder pin                                   |
| 6    | 0893 520940 | GEW. STIFT                                | threaded pin                                   |
| 7    | 0996 120387 | STELLRING                                 | adjusting ring                                 |
| 8    | 9332 500130 | FEDERSCHEIBE                              | spring disc                                    |
| 9    | 0805 410430 | LEISTE                                    | rail   |
| 10   | 0804 412313 | GELENK                                    | joint  |
| 11   | 9301 101551 | ZYL. SCHR.                                | cyl.screw                                      |
| 12   | 0805 410400 | BOLZEN                                    | bolt   |
| 13   | 9330 000087 | SCHEIBE                                   | disc   |
| 14   | 0805 411220 | BOLZEN                                    | bolt   |
| 15   | 9202 002067 | ZYL. SCHR.                                | cyl.screw                                      |
| 17   | 9330 900097 | SCHEIBE                                   | disc   |
| 18   | 0804 412383 | FUEHRUNG<br>(MIT POS.19)                  | guide<br>(with pos.19)                         |
| 19   | 0993 520740 | GEW. STIFT                                | threaded stud                                  |
| 20   | 0804 412273 | SCHIEBER                                  | slide  |
| 21   | 9332 500130 | FEDERSCHEIBE                              | disc   |
| 22   | 0805 410390 | LEISTE                                    | reglet   |
| 23   | 0804 412323 | GELENK                                    | joint  |
| 24   | 0805 411240 | BUCHSE                                    | bushing  |
| 25   | 0999 220855 | ZYLINDER,DOPPEL                           | cylinder                                       |
| 26   | 9201 111227 | 6KT. SCHR.                                | screw  |
| 27   | 0805 411260 | FEDERBLECH                                | plate  |
| 28   | 0805 410600 | SEITENSCHIEBER                            | lateral slide                                  |
| 29   | 0805 411940 | SEITENSCHIEBER<br>(95 lang)               | lateral slide<br>(95 long)                     |
| 29   | 0805 411950 | SEITENSCHIEBER<br>(125 lang)              | lateral slide<br>(125 long)                    |

| Pos. | Teile-Nr.   | Benennung                    | Denomination                |
|------|-------------|------------------------------|-----------------------------|
| 29   | 0805 411960 | SEITENSCHIEBER<br>(170 lang) | lateral slide<br>(170 long) |
| 30   | 0805 410570 | GLEITPLATTE                  | plate                       |
| 31   | 9231 110057 | 6KT. MUTTER                  | hexagonal nut               |
| 32   | 9202 002067 | ZYL. SCHR.                   | screw                       |
| 33   | 9330 900097 | SCHEIBE                      | disc                        |
| 34   | 0805 410500 | PLATTE                       | plate                       |
| 35   | 9203 313667 | SENKSCHR.                    | screw                       |
| 36   | 9790 201000 | VERSCHR.WI-E                 | coupling                    |
| 37   | 9790 202000 | VERSCHR.T-E                  | coupling                    |
| 38   | 0804 412250 | WINKELSCHIEBER               | slide                       |
| 39   | 0804 411700 | PLATTE                       | plate                       |
| 40   | 0804 412260 | WINKELSCHIEBER               | slide                       |
| 41   | 0804 412283 | SCHIEBER V                   | slide                       |
| 42   | 0805 412530 | ANSCHLAG                     | guide                       |
| 43   | 9231 110107 | 6KT. MUTTER                  | hexagonal nut               |
| 44   | 9201 112877 | 6KT. SCHR.                   | hexagonal screw             |
| 45   | 0805 412140 | STREBE                       | strut                       |
| 46   | 0805 410810 | PLATTE                       | plate                       |
| 47   | 9202 002067 | ZYL. SCHR.                   | cyl. screw                  |
| 48   | 9330 000087 | SCHEIBE                      | disc                        |
| 49   | 0999 210661 | GEW. EINSATZ                 | threaded insert             |
| 51   | 9203 313677 | SENKSCHR.                    | sunk screw                  |
| 52   | 0805 410830 | PLATTE                       | plate                       |
| 53   | 0805 410803 | PLATTE V                     | plate                       |
| 54   | 9203 313997 | SENKSCHR.                    | sunk screw                  |
| 55   | 0805 411970 | ECKENSCHIEBER                | corner slide                |
| 56   | 0805 411990 | VORDERSCHIEBER<br>(170 lang) | slide<br>(170 long)         |
| 57   | 9731 005004 | SCHLAUCH                     | hose                        |
| 58   | 0806 410350 | SCHUTZABDECKUNG              | protective covering         |
| 59   | 9830 503012 | DISTANZBOLZEN                | bolt                        |
| 60   | 9330 000067 | SCHEIBE                      | disc                        |
| 61   | 9202 001668 | ZYL. SCHR.                   | cyl. screw                  |



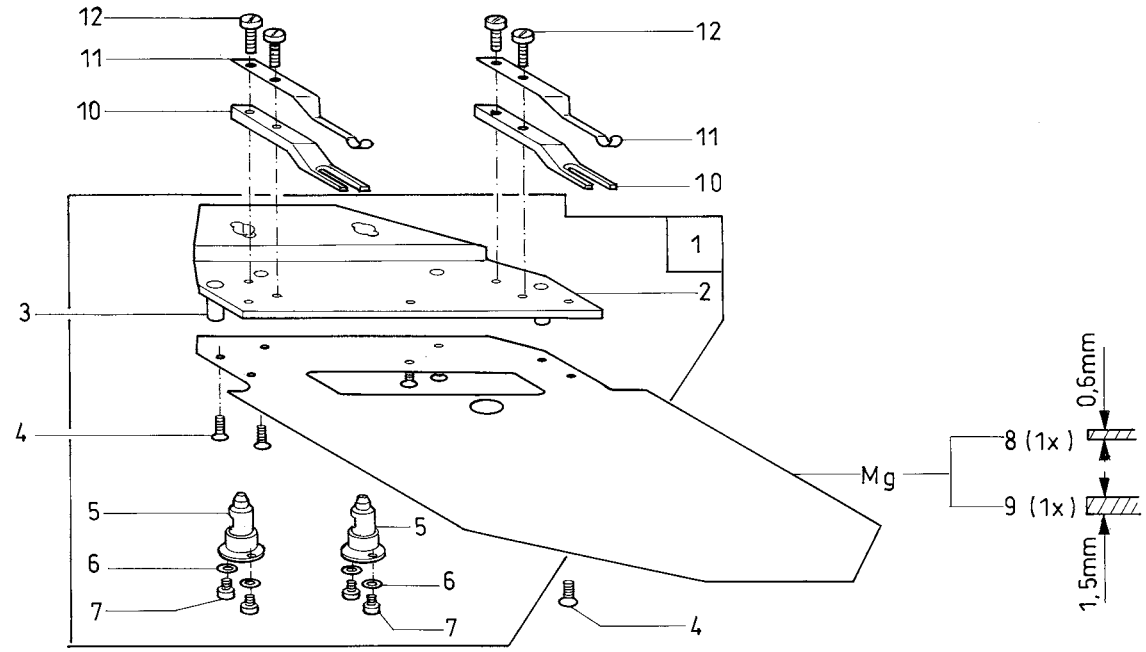
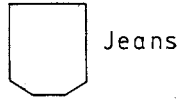
Jeans



Mg= mustergebunden / calls for a sample

| Pos. | Teile-Nr.   | Benennung                                  | Denomination                                  |
|------|-------------|--|---|
|      |             | UMBUGSATZ (F40.../F45...)<br>KL. 806 - 111 | CREASING SET (F40.../F45...)<br>CL. 806 - 111 |
| 1    | 0805 410033 | BRUECKE K<br>(MIT POS.2-10)                | bridge cpl.<br>(with pos. 2-10)               |
| 2    | 0805 410033 | BRUECKE                                    | bridge  |
| 3    | 0895 340740 | GEW. EINSATZ                               | threaded insert                               |
| 4    | 9301 101891 | ZYL. STIFT                                 | cylinder pin                                  |
| 5    | 9203 003037 | ZYL. SCHR.                                 | cyl. screw                                    |
| 6    | 0996 790570 | BOHRBUCHSE                                 | bushing                                       |
| 7    | 9790 201000 | VERSCHR.WI-E                               | coupling                                      |
| 8    | 9790 200000 | VERSCHR.GD-E                               | coupling                                      |
| 9    | 0805 410100 | BOLZEN                                     | bolt, stud                                    |
| 11   | 9202 042087 | ZYL. SCHR.                                 | cyl. screw                                    |
| 12   | 9790 200000 | VERSCHR.GD-E                               | coupling                                      |
| 13   | 0805 410680 | BUCHSE                                     | bushing                                       |
| 14   | 9231 110057 | 6KT. MUTTER                                | hexagonal nut                                 |
| 15   | 9330 000087 | SCHEIBE                                    | disc  |
| 16   | 9201 112877 | 6KT. SCHR.                                 | hexagonal screw                               |
| 17   | 0805 410650 | PLATTE<br>(146 lang)                       | plate<br>(146 long)                           |
| 17   | 0805 410660 | PLATTE<br>(178 lang)                       | plate<br>(178 long)                           |
| 17   | 0805 410670 | PLATTE<br>(228 lang)                       | plate<br>(228 long)                           |
| 18   | 0805 410700 | ANSAUGSTUTZEN                              | muff  |
| 19   | 0081 110030 | SPANNUNGSFEDER                             | tension spring                                |
| 20   | 9231 110057 | 6KT. MUTTER                                | hexagonal nut                                 |
| 21   | 9203 313697 | SENKSCHR.                                  | sunk screw                                    |
| 22   | 0699 980400 | MOOSGUMMI                                  | rubber  |
| 23   | 9330 000067 | SCHEIBE                                    | disc  |
| 24   | 9201 111257 | 6KT. SCHR.                                 | hexagonal screw                               |
| 25   | 0805 410820 | PLATTE                                     | plate   |
| 26   | 0998 881070 | PASZSCHEIBE                                | washer  |
| 27   | 0805 410680 | BUCHSE                                     | bushing                                       |
| 28   | 9330 000087 | SCHEIBE                                    | disc  |

| Pos. | Teile-Nr.   | Benennung         | Denomination         |
|------|-------------|-------------------|----------------------|
| 29   | 9201 112467 | 6KT. SCHR.        | hexagonal screw      |
| 30   | 0998 881010 | PASZSCHEIBE       | washer               |
| 31   | 0805 410690 | KEGELST.FEDER 1,5 | taper pin spring 1,5 |
| 31   | 0805 412560 | KEGELFEDER 0,8    | cone spring 0,8      |
| 32   | 0999 220827 | ZYLINDER,EINF.    | cylinder             |
| 33   | 0805 410803 | PLATTE V          | plate                |
| 34   | 0805 410680 | BUCHSE            | bushing              |
| 35   | 0805 411270 | PLATTE            | plate                |
| 36   | 9049 041009 | KLEBER , KRAFT    | adhesive             |
| 37   | 9731 005004 | SCHLAUCH          | hose                 |

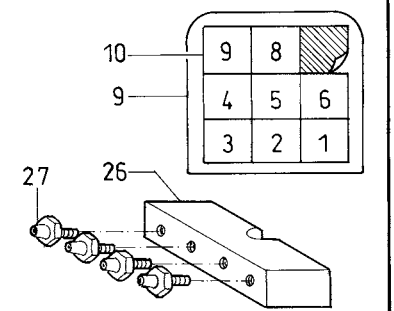
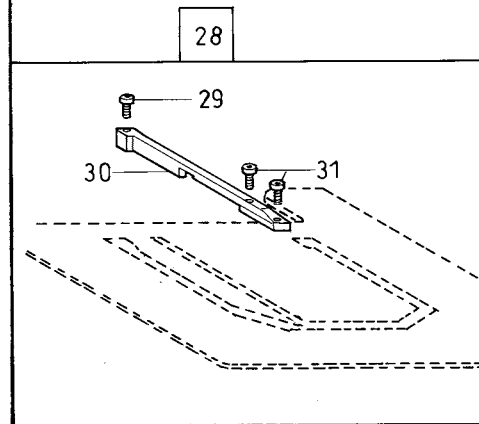
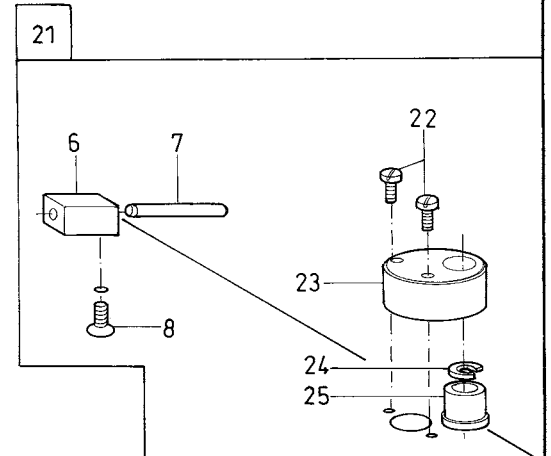
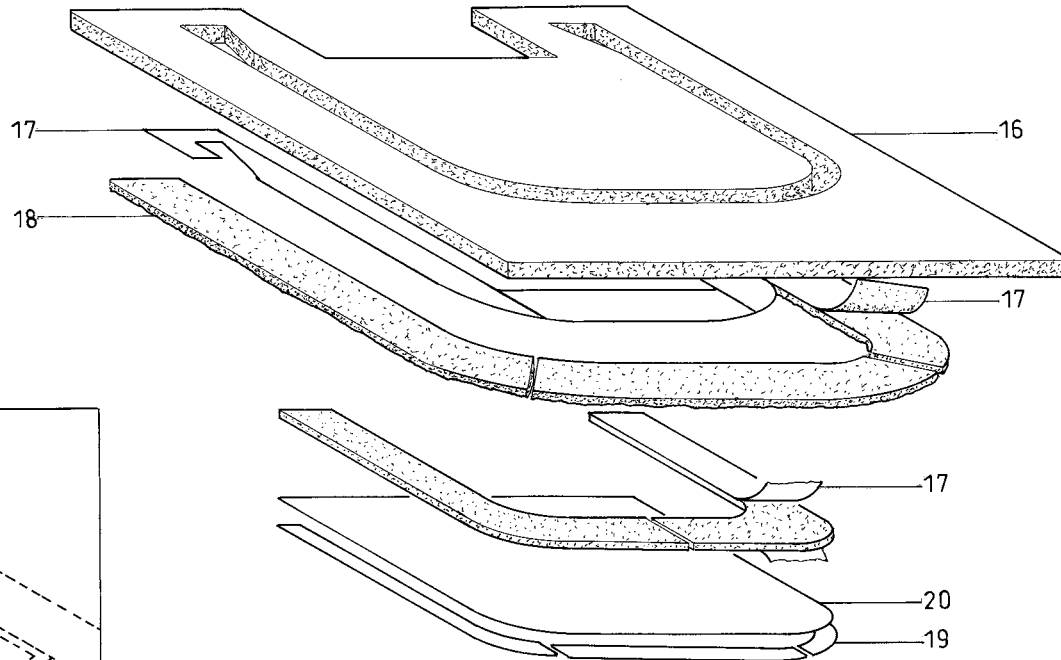
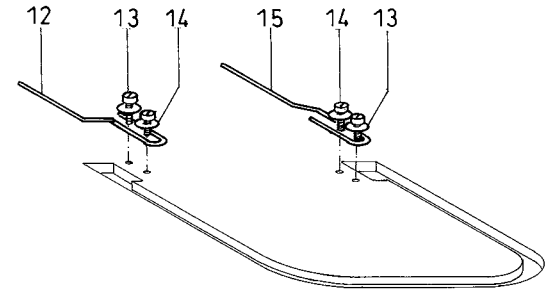
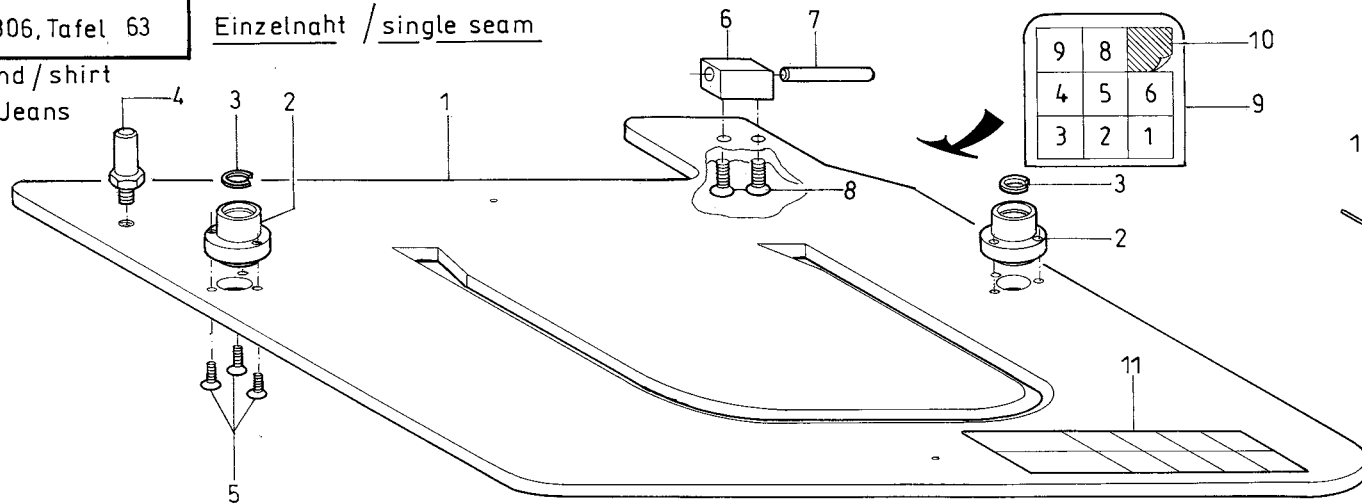


Mg = mustergebunden / calls for a sample

| Pos. | Teile-Nr.   | Benennung                                  | Denomination                                  |
|------|-------------|--|---|
|      |             | UMBUGSATZ (F40.../F45...)<br>KL. 806 - 111 | CREASING SET (F40.../F45...)<br>CL. 806 - 111 |
| 1    | 0805 410873 | HALTER V<br>(MIT POS.2, 5-7)               | holder<br>(with pos. 2, 5-7)                  |
| 2    | 0805 410870 | HALTER                                     | holder  |
| 3    | 0805 410880 | STIFT                                      | pin   |
| 4    | 9203 313647 | SENKSCHR.                                  | sunk screw                                    |
| 5    | 0805 410100 | BOLZEN                                     | bolt, stud                                    |
| 6    | 9330 000067 | SCHEIBE                                    | disc  |
| 7    | 9203 003037 | ZYL. SCHR.                                 | cyl. screw                                    |
| 8    | 0805 410852 | SCHIEBERBLECH                              | centre slider                                 |
| 9    | 0805 412522 | SCHIEBERBLECH                              | centre slider                                 |
| 10   | 0805 410910 | ANSCHLAG                                   | guide   |
| 11   | 0805 410920 | KLEMME                                     | clamp   |
| 12   | 9203 123687 | FLACHKOPFSCHR.                             | countersunk screw                             |

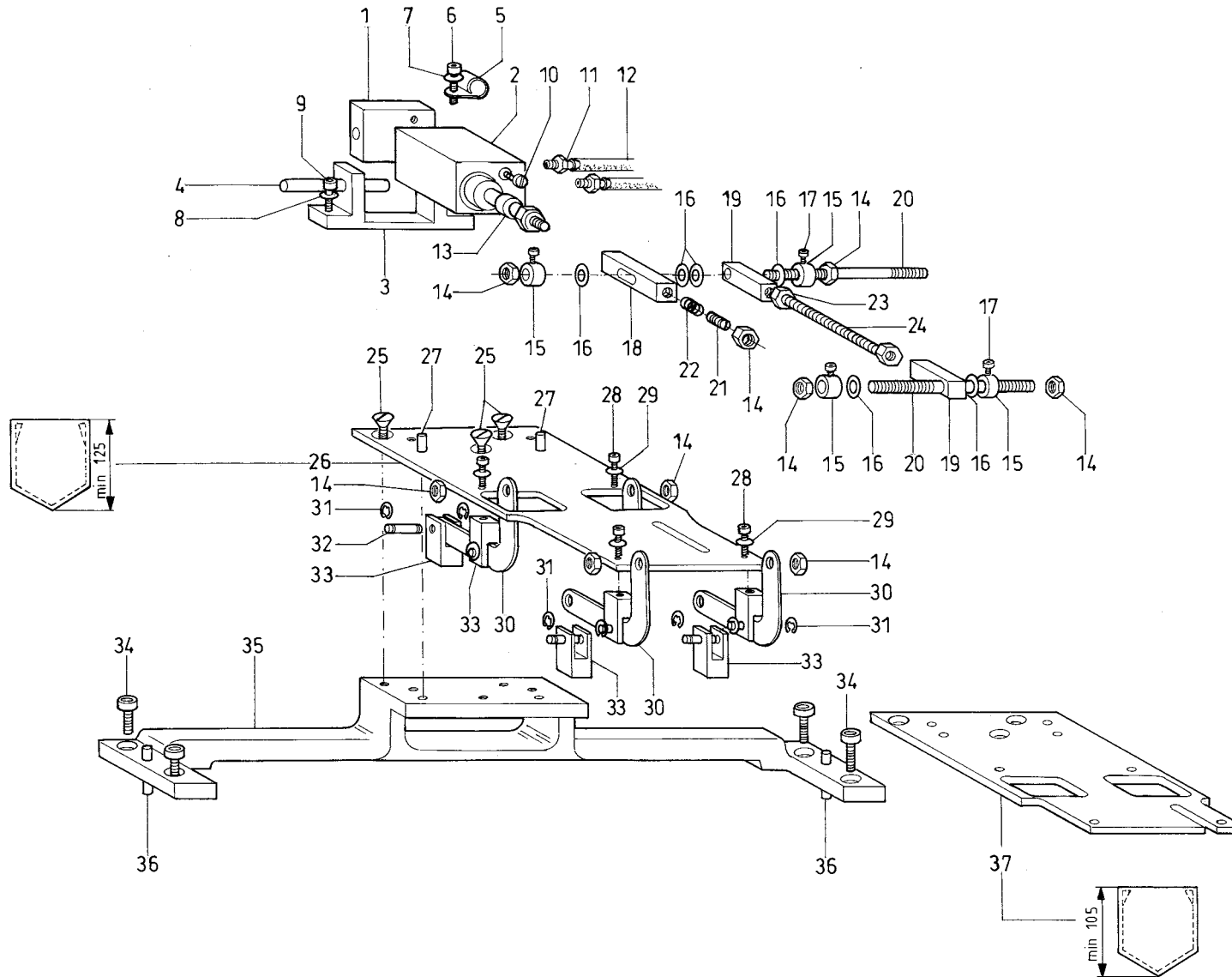
| Pos. | Teile-Nr. | Benennung | Denomination |
|------|-----------|-----------|--------------|
|------|-----------|-----------|--------------|

Hemd / shirt  
Jeans



| Pos. | Teile-Nr.   | Benennung                         | Denomination                                |
|------|-------------|-----------------------------------|---|
|      |             | TRANSFERPLATTE                    | TRANSFER DEVICE                             |
| 1    | 0806 410600 | PLATTE                            | plate                                       |
| 2    | 0806 410540 | KUGELBUCHSE                       | ball bush                                   |
| 3    | 9357 200109 | SPRENGRING                        | spring ring                                 |
| 4    | 0805 411010 | BOLZEN                            | bolt, stud                                  |
| 5    | 9204 001258 | SENKSCHR.                         | sunk screw                                  |
| 6    | 0806 410570 | KLOTZ                             | log   |
| 7    | 9301 102243 | RGKPF. ZYL. STIFT                 | pin   |
| 8    | 0742 055716 | SENKSCHR.                         | sunk screw                                  |
| 9    | 0805 410980 | AUFKLEBER                         | label                                       |
| 10   | 0805 410970 | CODIERFOLIE                       | foil  |
| 11   | 0805 411020 | AUFKLEBER                         | label                                       |
| 12   | 0805 411040 | KLAMMER                           | clamp                                       |
| 13   | 9330 200097 | SCHEIBE                           | disc  |
| 14   | 9202 002057 | ZYL. SCHR.                        | cyl. screw                                  |
| 15   | 0805 411030 | KLAMMER                           | clamp                                       |
| 16   | 0804 412990 | PLATTE                            | plate                                       |
| 17   | 0699 989157 | KLEBEBAND                         | tape adhesive                               |
| 18   | 0805 410840 | PLATTE                            | plate                                       |
| 19   | 0699 989137 | KLEBEBAND                         | tape dhesive                                |
| 20   | 0805 410820 | PLATTE                            | plate                                       |
| 21   | 0806 417514 | ADAPTER K<br>(MIT POS.6-10,22-27) | adapter cpl.<br>(with pos. 6 - 10, 22 - 27) |
| 22   | 9203 003078 | ZYL. SCHR.                        | cyl.screw                                   |
| 23   | 0806 410550 | FUEHR. BUCHSE                     | guide bushing                               |
| 24   | 9357 200109 | SPRENGRING                        | spring ring                                 |
| 25   | 0806 410560 | KUGELBUCHSE                       | boll bush                                   |
| 26   | 0806 401700 | KUPPLUNGSLEISTE                   | clutch reglet                               |
| 27   | 0999 240389 | SCHLAUCHTUELLE (806-121)          | valve (806-121)                             |
| 27   | 9790 200000 | SCHLAUCHTUELLE (806-111)          | valve (806-111)                             |
| 28   | 0805 417609 | TEILESATZ K<br>(MIT POS. 29-31)   | part set cpl.<br>(with pos. 29-31)          |
| 29   | 9202 002057 | ZYL. SCHR.                        | cyl. screw                                  |
| 30   | 0805 411070 | LEISTE                            | reglet                                      |
| 31   | 9202 002067 | ZYL. SCHR.                        | cyl. screw                                  |

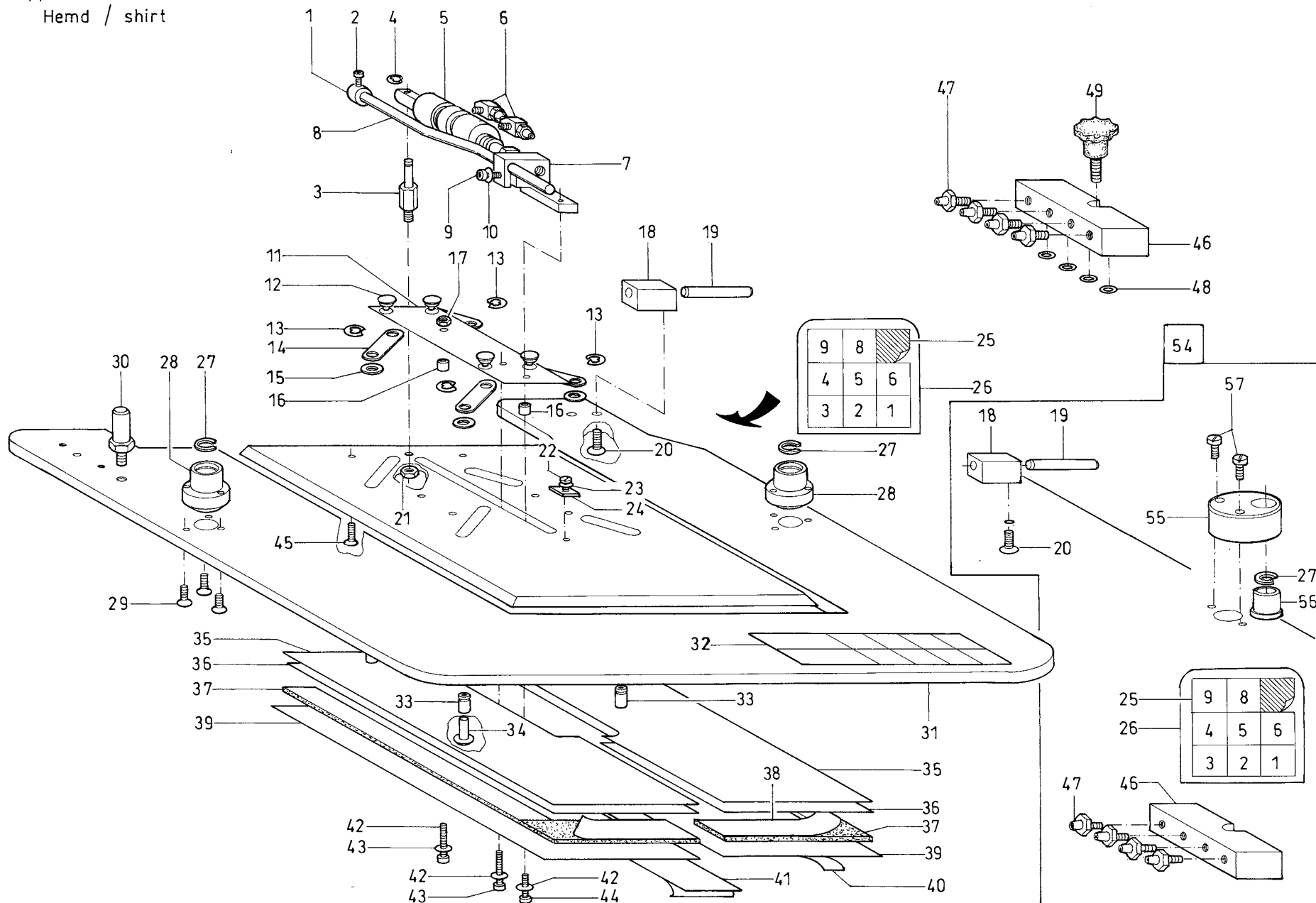
| Pos. | Teile-Nr. | Benennung | Denomination |
|------|-----------|-----------|--------------|
|------|-----------|-----------|--------------|





| Pos. | Teile-Nr.   | Benennung         | Denomination        |
|------|-------------|-------------------|---------------------|
|      |             | TRANSFERPLATTE    | TRANSFER DEVICE     |
| 1    | 0805 411340 | PLATTE            | plate               |
| 2    | 0999 220851 | ZYLINDER, DOPPEL  | cylinder,double     |
| 3    | 0805 411330 | HALTER            | holder              |
| 4    | 9301 102243 | RGKPF. ZYL. STIFT | pin                 |
| 5    | 9840 120028 | BEF. SCHELLE      | clamp               |
| 6    | 9202 002097 | ZYL. SCHR.        | cyl. screw          |
| 7    | 9330 000087 | SCHEIBE           | disc                |
| 8    | 9330 000087 | SCHEIBE           | disc                |
| 9    | 9202 002097 | ZYL. SCHR.        | cyl. screw          |
| 10   | 9203 003167 | ZYL. SCHR.        | cyl. screw          |
| 11   | 0999 240389 | SCHLAUCHTUELLE    | hose socket         |
| 12   | 0699 979265 | SCHLAUCH          | hose                |
| 13   | 0980 424370 | BUCHSE            | bushing             |
| 14   | 9231 000367 | 6KT. MUTTER       | hexagonal nut       |
| 15   | 0996 120347 | STELLRING         | set-ring, adjusting |
| 16   | 9330 000087 | SCHEIBE           | disc                |
| 17   | 9203 002425 | ZYL. SCHR.        | cyl. screw          |
| 18   | 0805 411350 | KLOTZ             | log                 |
| 19   | 0805 411370 | KLOBEN            | block               |
| 20   | 0805 411360 | STANGE            | bar                 |
| 21   | 0264 000762 | GEW. STIFT        | threaded pin        |
| 22   | 0220 004060 | DRUCKFEDER        | presser spring      |
| 23   | 9231 110057 | 6KT. MUTTER       | hexagonal nut       |
| 24   | 0805 411540 | STANGE            | bar                 |
| 25   | 9203 313658 | SENKSCHR.         | screw               |
| 26   | 0805 411320 | PLATTE            | plate               |
| 27   | 0993 020930 | ZYL. STIFT        | cylinder pin        |
| 28   | 9202 002067 | ZYL. SCHR.        | cyl. screw          |
| 29   | 9330 000087 | SCHEIBE           | disc                |
| 30   | 0805 411380 | HEBEL             | lever               |
| 31   | 9357 000050 | SICH. SCHEIBE     | fastennig disc      |
| 32   | 0805 411400 | BOLZEN            | bolt, stud          |
| 33   | 0805 411390 | KLOBEN            | block               |
| 34   | 9202 002057 | ZYL. SCHR.        | cyl. screw          |

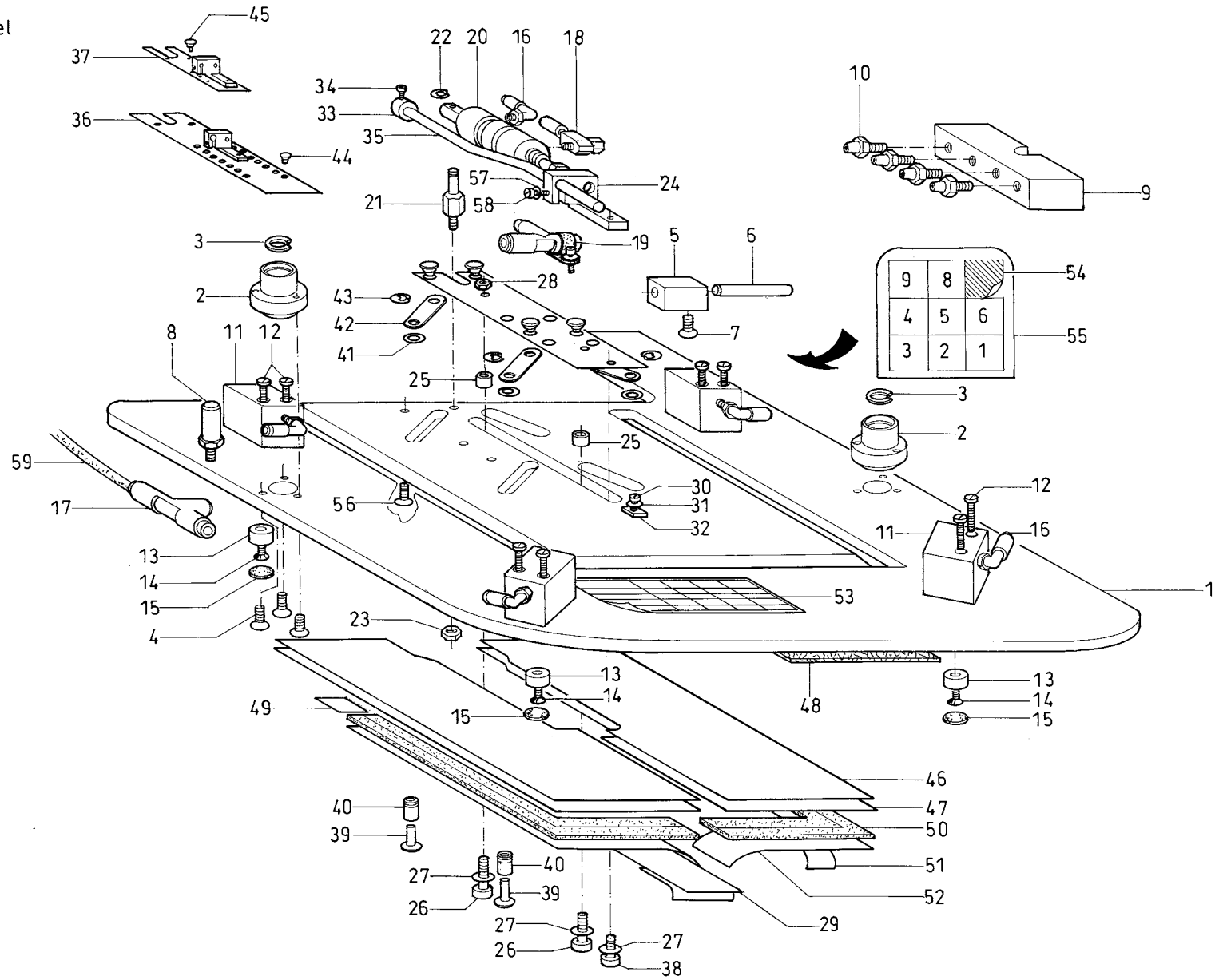
| Pos. | Teile-Nr.   | Benennung  | Denomination |
|------|-------------|------------|--------------|
| 35   | 0805 411310 | BRUECKE    | bridge       |
| 36   | 0993 020930 | ZYL. STIFT | cylinder pin |
| 37   | 0805 411560 | PLATTE     | plate        |



| Pos. | Teile-Nr.   | Benennung         | Denomination         |
|------|-------------|-------------------|----------------------|
|      |             | TRANSFERPLATTE K: | TRANSFER DEVICE CPL. |
| 1    | 0996 120347 | STELLRING         | set-ring, adjusting  |
| 2    | 9203 002425 | ZYL. SCHR.        | cyl. screw           |
| 3    | 0805 411410 | BOLZEN            | bolt, stud           |
| 4    | 9357 000050 | SICH. SCHEIBE     | fastennig disc       |
| 5    | 0999 220849 | ZYLINDER,DOPPEL   | cylinder,double      |
| 6    | 9790 101010 | L-SCHW.VERSCHR.   | pivot coupling       |
| 7    | 0805 411450 | KLOBEN            | block                |
| 8    | 0805 411440 | STANGE            | bar                  |
| 9    | 9203 003057 | ZYL. SCHR.        | cyl. screw           |
| 10   | 9330 000067 | SCHEIBE           | disc                 |
| 11   | 0805 411420 | PLATTE            | plate                |
| 12   | 0801 410792 | ANSATZNIET        | shoulder rivet       |
| 13   | 9357 000070 | SICH. SCHEIBE     | fastennig disc       |
| 14   | 0801 410752 | GELENK            | joint                |
| 15   | 0802 414720 | SCHEIBE           | disc                 |
| 16   | 0805 411430 | HUELSE            | bushing              |
| 17   | 9231 000347 | 6KT. MUTTER       | hexagonal nut        |
| 18   | 0806 410570 | KLOTZ             | log                  |
| 19   | 9301 102243 | RGKPF. ZYL. STIFT | pin                  |
| 20   | 9225 201750 | SENKSCHR.         | sunk screw           |
| 21   | 9231 000367 | 6KT. MUTTER       | hexagonal nut        |
| 22   | 9203 003047 | ZYL. SCHR.        | cyl. screw           |
| 23   | 9330 000067 | SCHEIBE           | disc                 |
| 24   | 0802 414730 | ANSCHLAG          | guide                |
| 25   | 0805 410970 | CODIERFOLIE       | foil                 |
| 26   | 0805 410980 | AUFKLEBER         | label                |
| 27   | 9357 200109 | SPRENGRING        | spring ring          |
| 28   | 0806 410540 | KUGELBUCHSE       | ball bush            |
| 29   | 9204 001257 | SENKSCHR.         | sunk screw           |
| 30   | 0805 411010 | BOLZEN            | bolt, stud           |
| 31   | 0806 410600 | PLATTE            | plate                |
| 32   | 0805 411020 | AUFKLEBER         | label                |
| 33   | 0805 411460 | BUCHSE            | bushing              |
| 34   | 0805 411470 | NIET              | rivet                |

| Pos. | Teile-Nr.   | Benennung   | Denomination                                       |
|------|-------------|---|--|
| 35   | 0805 411490 | PLATTE  | plate  |
| 36   | 0805 411482 | INNENSCHIEBER                                       | collapsible centre                                 |
| 37   | 0805 410840 | PLATTE  | plate  |
| 38   | 0699 989155 | KLEBEBAND   | tape adhesive                                      |
| 39   | 0805 411500 | PLATTE  | plate  |
| 40   | 0699 989137 | KLEBEBAND   | tape adhesive                                      |
| 41   | 0805 411510 | BLECH   | plate  |
| 42   | 9330 900077 | SCHEIBE   | disc   |
| 43   | 9203 003067 | ZYL. SCHR.  | cyl. screw   |
| 44   | 9203 003028 | ZYL. SCHR.  | cyl. screw   |
| 45   | 9203 313657 | SENKSCHR.   | sunk screw   |
| 46   | 0806 401700 | KUPPLUNGSLEISTE                                     | clutch reglet                                      |
| 47   | 0999 240389 | SCHLAUCHTUELLE (806-121)                            | hose socket (806-121)                              |
| 47   | 9790 200000 | SCHLAUCHTUELLE (806-111)                            | hose socket (806-111)                              |
| 48   | 0998 865000 | O-RING  | ring   |
| 49   | 0805 411553 | SCHRAUBE  | screw  |
| 54   | 0806 417514 | ADAPTER K<br>(MIT POS. 18-20,26,27,<br>46,47,55-57) | adapter<br>(with pos. 18-20,26,27,<br>46,47,55-57) |
| 55   | 0806 410550 | FUEHR. BUCHSE                                       | guide bushing                                      |
| 56   | 0806 410560 | KUGELBUCHSE   | ball bush  |
| 57   | 9203 003078 | ZYL. SCHR.  | cyl. screw   |
| 58   | 9790 200000 | SCHLAUCHTUELLE                                      | hose socket  |

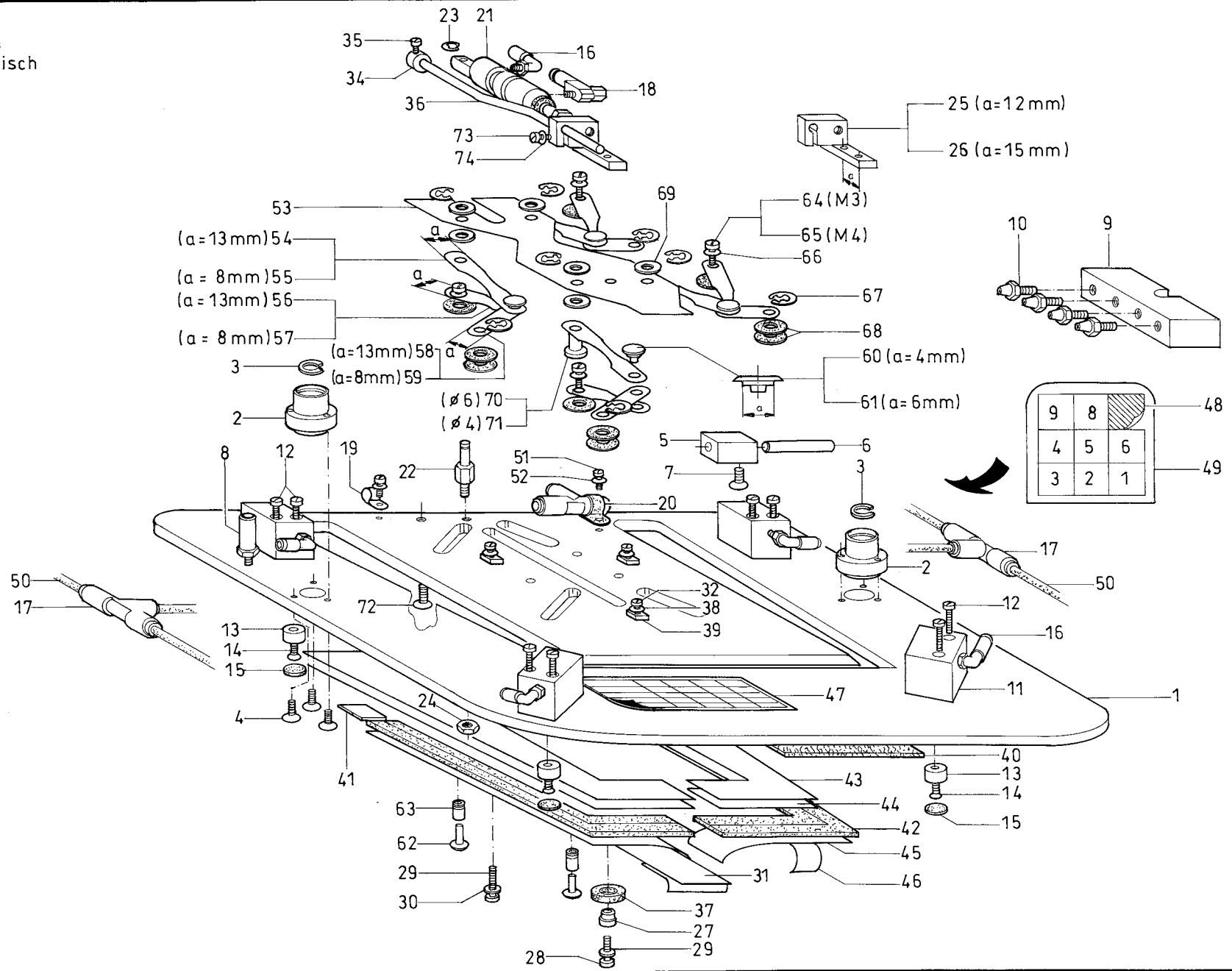
2-Fachnaht Parallel



| Pos. | Teile-Nr.   | Benennung                                   | Denomination                                       |
|------|-------------|---|--|
|      |             | 2 - FACHNAHT- PARALLEL<br>TRANSFERPLATTE K. | 2 - DOUBLE SEAN - PARALLEL<br>TRANSFER DEVICE CPL. |
| 1    | 0806 410600 | PLATTE                                      | plate  |
| 2    | 0806 410540 | KUGELBUCHSE                                 | ball-bushing                                       |
| 3    | 9357 200109 | SPRENGRING                                  | spring ring  |
| 4    | 9204 001257 | SENKSCHR.M3x8                               | screw  |
| 5    | 0806 410570 | KLOTZ                                       | block  |
| 6    | 9301 102243 | RGKPF. ZYL. STIFT                           | cyl.pin  |
| 7    | 9225 201750 | SENKSCHR. M4x8                              | screw  |
| 8    | 0805 411010 | BOLZEN                                      | bolt   |
| 9    | 0806 401700 | KUPPLUNGSLEISTE                             | clutch   |
| 10   | 9790 200000 | VERSCHR. GD.-E                              | coupling   |
| 11   | 0999 220854 | ZYLINDER,EINF.                              | cylinder   |
| 12   | 9203 003117 | ZYL. SCHR. M3x20                            | cyl.screw  |
| 13   | 0805 411900 | SCHEIBE                                     | washer   |
| 14   | 9203 313052 | SENKSCHR. M3x8                              | screw  |
| 15   | 0805 412030 | SCHEIBE                                     | washer   |
| 16   | 9790 201000 | VERSCHR. WI-E                               | coupling   |
| 17   | 0999 240394 | T-R-VERSCHR.                                | coupling   |
| 18   | 9710 920012 | VENTIL,DROSSEL                              | valve  |
| 19   | 9840 120028 | BEF. SCHELLE                                | fastening clamp                                    |
| 20   | 0999 220849 | ZYLINDER,DOPPEL                             | cylinder   |
| 21   | 0805 411410 | BOLZEN                                      | bolt   |
| 22   | 9357 000050 | SICH. SCHEIBE                               | safety disc  |
| 23   | 9231 000367 | 6KT. MUTTER                                 | nut  |
| 24   | 0805 411450 | KLOBEN                                      | block  |
| 25   | 0805 411430 | HUELSE                                      | block  |
| 26   | 9203 003067 | ZYL. SCHR.M3x10                             | cyl.screw  |
| 27   | 9330 900077 | SCHEIBE                                     | washer   |
| 28   | 9231 000347 | 6.KT. MUTTER                                | nut  |
| 29   | 0805 411510 | BLECH                                       | sheet  |
| 30   | 9203 003057 | ZYL. SCHR.                                  | screw  |
| 31   | 9330 000067 | SCHEIBE                                     | washer   |
| 32   | 0802 414730 | ANSCHLAG                                    | guide  |
| 33   | 0996 120347 | STELLRING                                   | adj.ring   |

| Pos. | Teile-Nr.   | Benennung         | Denomination    |
|------|-------------|-------------------|-----------------|
| 34   | 9203 002425 | ZYL. SCHR. M2,5x4 | screw           |
| 35   | 0805 411440 | STANGE            | rod             |
| 36   | 0805 412042 | SCHUBSTANGE       | push-rod        |
| 37   | 0805 412052 | SCHUBSTANGE       | push-rod        |
| 38   | 9203 003027 | ZYL. SCHR. M3x4   | cyl.screw       |
| 39   | 0805 411470 | NIET              | rivert          |
| 40   | 0805 411460 | BUCHSE            | bushing         |
| 41   | 0802 414720 | SCHEIBE           | washer          |
| 42   | 0801 410752 | GELENK            | joint           |
| 43   | 9357 000070 | SICH. SCHEIBE     | safety disc     |
| 44   | 0801 410792 | ANSATZNIET        | rivet           |
| 45   | 0805 412212 | ANSATZNIET        | rivert          |
| 46   | 0805 412072 | PLATTE            | plate           |
| 47   | 0806 410642 | INNENSCHIEBER     | slide           |
| 48   | 0805 412080 | PLATTE            | plate           |
| 49   | 0805 411270 | PLATTE            | plate           |
| 50   | 0699 980350 | MOOSGUMMI         | sponge rubber   |
| 51   | 0699 989137 | KLEBEBAND         | band            |
| 52   | 0990 310089 | KORUNDPAPIER      | coated abrasive |
| 53   | 0805 411020 | AUFKLEBER         | label           |
| 54   | 0805 410970 | CODIERFOLIE       | foil            |
| 55   | 0805 410980 | AUFKLEBER         | label           |
| 56   | 9203 313957 | SENKSCHR.         | screw           |
| 57   | 9330 000067 | SCHEIBE           | washer          |
| 58   | 9203 003067 | ZYL. SCHR.        | screw           |
| 59   | 9731 005004 | SCHLAUCH          | hose            |

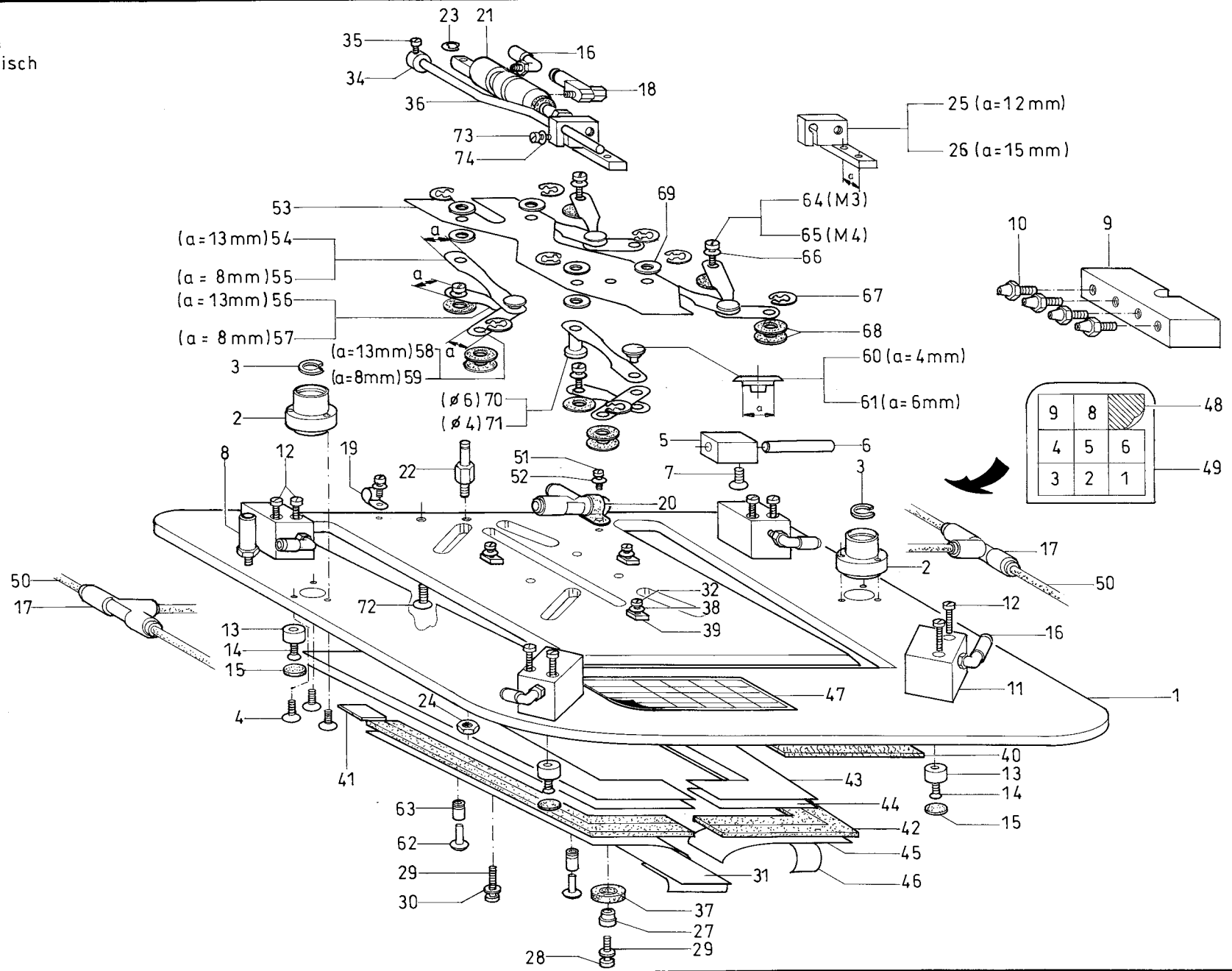
2 Fachnaht Konisch



| Pos. | Teile-Nr.   | Benennung                                    | Denomination                                   |
|------|-------------|--|--|
|      |             | 2 - FACHNAHT - PARALLEL<br>TRANSFERPLATTE K. | DOUBLE SEAN - PARALLEL<br>TRANSFER DEVICE CPL. |
| 1    | 0806 410600 | PLATTE                                       | plate  |
| 2    | 0806 410540 | KUGELBUCHSE                                  | ball-bushing                                   |
| 3    | 9357 200109 | SPRENGRING                                   | spring ring                                    |
| 4    | 9204 001257 | SENKSCHR.M3x8                                | screw  |
| 5    | 0806 410570 | KLOTZ  | block  |
| 6    | 9301 102243 | RGKPF. ZYL. STIFT                            | cyl.pin  |
| 7    | 9225 201750 | SENKSCHR. M4x8                               | screw  |
| 8    | 0805 411010 | BOLZEN                                       | bolt   |
| 9    | 0806 401700 | KUPPLUNGSLEISTE                              | clutch rail                                    |
| 10   | 9790 200000 | VERSCHR.GD.-E                                | coupling                                       |
| 11   | 0999 220854 | ZYLINDER,EINF.                               | cylinder                                       |
| 12   | 9203 003117 | ZYL. SCHR. M3x20                             | cyl.screw                                      |
| 13   | 0805 411900 | SCHEIBE                                      | washer   |
| 14   | 9203 313052 | SENKSCHR. M3x8                               | screw  |
| 15   | 0805 412030 | SCHEIBE                                      | washer   |
| 16   | 9790 201000 | VERSCHR.WI-E                                 | coupling                                       |
| 17   | 0999 240394 | T-R-VERSCHR.                                 | coupling                                       |
| 18   | 9710 920012 | VENTIL,DROSSEL                               | valve  |
| 19   | 9840 120026 | BEF. SCHELLE                                 | fastening clamp                                |
| 20   | 9840 120028 | BEF. SCHELLE                                 | fastening clamp                                |
| 21   | 0999 220849 | ZYLINDER DOPPEL                              | cylinder                                       |
| 22   | 0805 411410 | BOLZEN                                       | bolt   |
| 23   | 9357 000050 | SICH. SCHEIBE                                | safety disck                                   |
| 24   | 9231 000367 | 6KT. MUTTER                                  | nut  |
| 25   | 0805 412110 | KLOBEN                                       | block  |
| 26   | 0805 411450 | KLOBEN                                       | block  |
| 27   | 0805 412120 | HUELSE                                       | bushing  |
| 28   | 9203 003077 | ZYL. SCHR. M3x12                             | cyl.screw                                      |
| 29   | 9330 900077 | SCHEIBE                                      | washer   |
| 30   | 9203 003067 | ZYL. SCHR.                                   | cyl.screw                                      |
| 31   | 0805 411510 | BLECH  | sheet  |
| 32   | 9203 003047 | ZYL. SCHR. M3x8                              | cyl.screw                                      |
| 34   | 0996 120347 | STELLRING                                    | adj.ring                                       |

| Pos. | Teile-Nr.   | Benennung       | Denomination    |
|------|-------------|-----------------|-----------------|
| 35   | 9203 002425 | ZYL. SCHR.      | screw           |
| 36   | 0805 411440 | STANGE          | rod             |
| 37   | 0962 400250 | SCHEIBE         | washer          |
| 38   | 9330 000067 | SCHEIBE         | washer          |
| 39   | 0802 414730 | ANSCHLAG        | guide           |
| 40   | 0805 412080 | PLATTE          | plate           |
| 41   | 0805 411270 | PLATTE          | plate           |
| 42   | 0699 980350 | MOOSGUMMI       | spange          |
| 43   | 0805 412302 | DERLINPLATTE    | plate           |
| 44   | 0806 410642 | INNENSCHIEBER   | slide           |
| 45   | 0990 310089 | KORUNDPAPIER    | coated abrasive |
| 46   | 0699 989137 | KLEBEBAND       | band            |
| 47   | 0805 411020 | AUFKLEBER       | label           |
| 48   | 0805 410970 | CODIERFOLIE     | foil            |
| 49   | 0805 410980 | AUFKLEBER       | label           |
| 50   | 9731 005004 | SCHLAUCH        | hose            |
| 51   | 9203 003657 | ZYL. SCHR. M4x8 | screw           |
| 52   | 9330 000087 | SCHEIBE         | washer          |
| 53   | 0805 412282 | SCHUBSTANGE     | push-rod        |
| 54   | 0804 413302 | GELENK          | joint           |
| 55   | 0804 413362 | GELENK          | joint           |
| 56   | 0804 413292 | GELENK          | joint           |
| 57   | 0804 413352 | GELENK          | joint           |
| 58   | 0804 413282 | GELENK          | joint           |
| 59   | 0805 412332 | GELENK          | joint           |
| 60   | 0804 412742 | ANSATZNIET      | rivet           |
| 61   | 0804 412722 | ANSATZNIET      | rivert          |
| 62   | 0805 411470 | NIET            | rivert          |
| 63   | 0805 412090 | BUCHSE          | bushing         |
| 64   | 9203 143007 | FL. KOPFSCHR.   | screw           |
| 65   | 0992 018957 | LI. ZYL. SCHR.  | screw           |
| 66   | 0504 331150 | SCHEIBE         | washer          |
| 67   | 9357 000070 | SICH. SCHEIBE   | safety disc     |
| 68   | 0802 414720 | SCHEIBE         | washer          |
| 69   | 0998 881010 | PASZSCHEIBE     | washer          |
| 70   | 0805 412100 | BOLZEN          | bolt            |
| 71   | 0805 412310 | BOLZEN          | bolt            |

2 Fachnaht Konisch



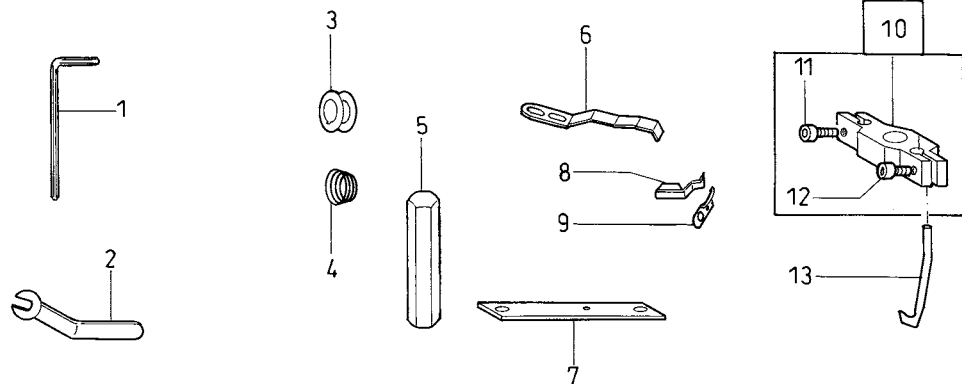


**Tafel/ Table: 067**

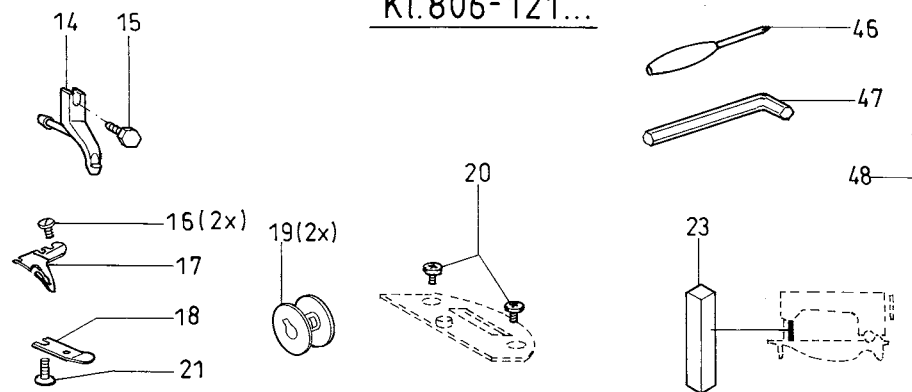
| Pos. | Teile-Nr.   | Benennung  | Denomination |
|------|-------------|------------|--------------|
| 72   | 9203 313957 | SENKSCHR.  | screw        |
| 73   | 9203 003057 | ZYL. SCHR. | screw        |
| 74   | 9330 000067 | SCHEIBE    | washer       |

| Pos. | Teile-Nr. | Benennung | Denomination |
|------|-----------|-----------|--------------|
|------|-----------|-----------|--------------|

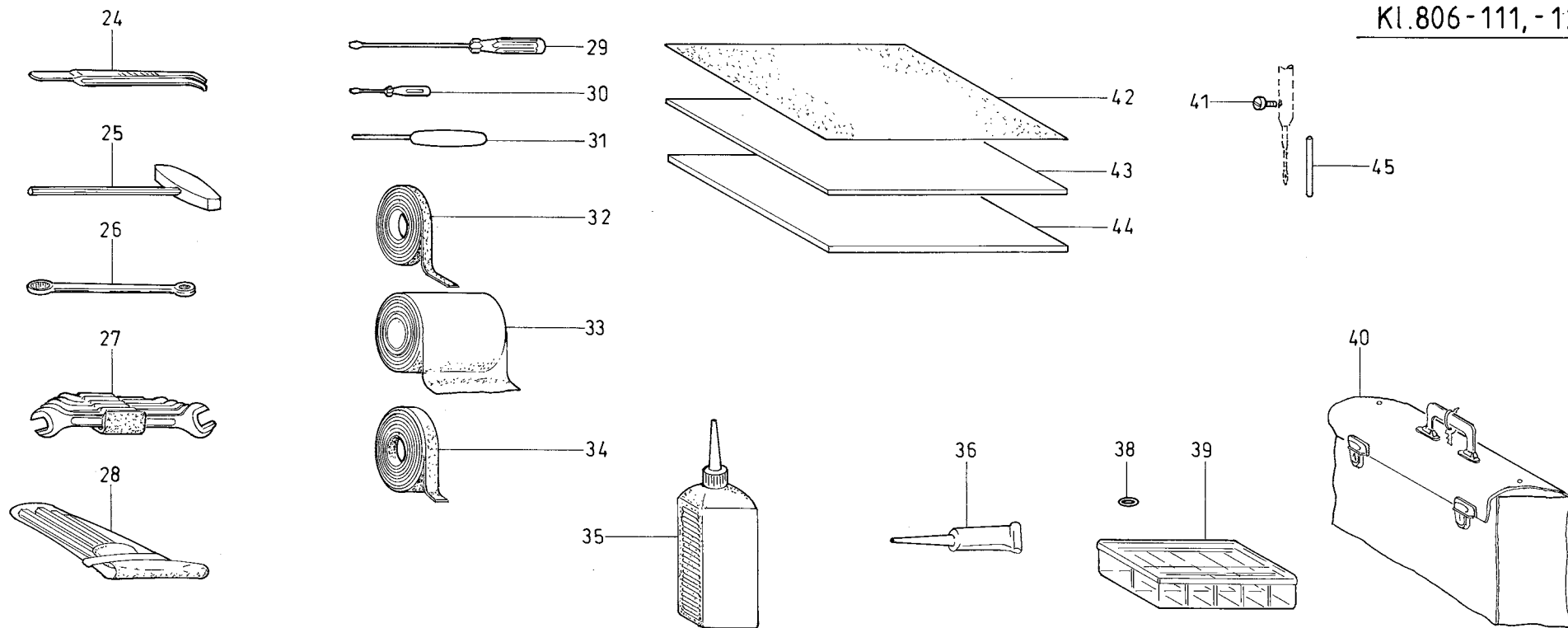
Kl.806-111...



Kl.806-121...



Kl.806-111, -121



| Pos. | Teile-Nr.     | Benennung          | Denomination        |
|------|---------------|--------------------|---------------------|
|      |               | BEIPACK            | ACCESSOIRES         |
| 1    | 0367 250020   | SCHRAUBENDREHER    | screwdriver         |
| 2    | 0367 250030   | MAULSCHLUESSEL     | wrench              |
| 3    | 0167 001800   | SPULE, SCHWARZ     | bobbin, black       |
| 4    | 0367 150270   | KEGELST.FEDER      | taper pin spring    |
| 5    | 0804 400280   | EINSTELLEHRE       | (adjusting) gauge   |
| 6    | 0367 350070   | FADENZ.MESSER      | threadpull knife    |
| 7    | 0804 400270   | EINSTICHPHRE       | gauge               |
| 8    | 0367 350060   | KLEMMFEDER         | fixing clamp        |
| 9    | 0367 350050   | MESSER             | knife               |
| 10   | 0467 220063   | FUSSHALTER V       | foot holder         |
| 11   | 9203 003057   | ZYL. SCHR.         | cyl. screw          |
| 12   | 9203 003667   | ZYL. SCHR.         | cyl. screw          |
| 13   | 0467 220070   | DRUECKERFUSS       | presser foot        |
| 14   | 0396 221123   | DRUECKERFUSS       | presser foot        |
| 15   | 9201 112457   | 6KT. SCHR.         | hexagonal screw     |
| 16   | 0933 063984   | LINSENSCHR.        | screw               |
| 17   | 0271 001483   | HAKENMESSER        | curved knife        |
| 18   | 0271 001497   | MESSER             | knife               |
| 19   | 0204 000230 A | SPULE              | bobbin              |
| 20   | 0219 000353   | LINSENSCHRAUBE     | screw               |
| 21   | 0933 063984   | LINSENSCHR.        | screw               |
| 22   | 0271 001499   | LINSENSCHR.        | screw               |
| 23   | 0804 400290   | EINSTELLEHRE       | (adjusting) gauge   |
| 24   | 0990 490128   | PINZETTE           | (a pair of) tweezer |
| 25   | 0993 904247   | SCHRAUBENDREHER    | screwdriver         |
| 26   | 0993 834106   | RINGSCHLUESSEL     | key                 |
| 27   | 0990 810084   | MAULSCHLUESSEL     | wrench              |
| 28   | 0990 810085   | INBUSSCHLUESSEL    | wrench              |
| 29   | 9081 500051   | SCHRAUBENDREHER    | screwdriver         |
| 30   | 9081 500010   | SCHRAUBENDREHER    | screwdriver         |
| 31   | 9081 200808   | SCHR.DREHER WINKEL | screwdriver         |
| 32   | 0699 980400   | MOOSGUMMI          | rubber              |
| 33   | 0699 989137   | KLEBEBAND          | tape adhesive       |
| 34   | 0699 989155   | KLEBEBAND          | tape adhesive       |

| Pos. | Teile-Nr.   | Benennung            | Denomination      |
|------|-------------|----------------------|-------------------|
| 35   | 9047 000011 | NAEHM.OEL 250ML      | oil 250 grams     |
| 36   | 9049 041009 | KLEBER,KRAFT         | adhesive          |
| 38   | 0998 865000 | O-RING               | ring              |
| 39   | 0990 810078 | SORTIMENTKASTEN      | box               |
| 40   | 0990 810083 | ZUBEHOERTASCHE       | container         |
| 41   | 9203 113031 | FLACHKOPFSCHR.       | countersunk screw |
| 42   | 0805 410820 | PLATTE               | plate             |
| 43   | 0805 410830 | PLATTE               | plate             |
| 44   | 0805 410840 | PLATTE               | plate             |
| 45   | 9301 101011 | ZYL. STIFT           | cyl. stud         |
| 46   | 0791 000007 | SCHRAUBENDREHER      | screwdriver       |
| 47   | 9081 200808 | SCHR.DREHER WINKEL   | screwdriver       |
| 48   | 9301 022608 | ZYL. STIFT           | cyl. pin          |
| 49   | 0806 410730 | LEISTE               | rail              |
| 50   | 9825 810403 | SICHERUNG T0,16/250G | fuse T0,16/250G   |
| 50   | 9825 810411 | SICHERUNG T1/250G    | fuse T1/250G      |
| 50   | 9825 810413 | SICHERUNG T1,6/250G  | fuse T1,6/250G    |
| 50   | 9825 810415 | SICHERUNG T2,5/250G  | fuse T2,5/250G    |
| 50   | 9825 810418 | SICHERUNG T8/250G    | fuse T8/250G      |

| Part No./Teile-Nr. | Table/Tafel                                     | Part No./Teile-Nr. | Table/Tafel | Part No./Teile-Nr. | Table/Tafel   | Part No./Teile-Nr. | Table/Tafel   |
|--------------------|---|--------------------|-------------|--------------------|---------------|--------------------|---------------|
| 0002 005889 0700   | 002   | 0211 000302        | 002         | 0216 001146        | 001, 004      | 0271 000197        | 001           |
| 0002 007191 0700   | 017   | 0211 000305 A      | 002         | 0219 000353        | 005, 025, 068 | 0271 000199        | 001           |
| 0002 007504 9500   | 036   | 0211 000306 B      | 002         | 0219 062863        | 021           | 0271 000200        | 001           |
| 0002 008323 5600   | 031, 034  | 0211 000316        | 002         | 0220 004060        | 064           | 0271 000201        | 001           |
| 0002 009022 9500   | 034   | 0211 000331        | 002         | 0221 110150        | 014           | 0271 000212        | 001           |
| 0025 162210        | 014   | 0211 000332        | 002         | 0221 110154        | 014           | 0271 000215        | 001           |
| 0026 100070        | 023   | 0211 000355        | 002         | 0221 110160        | 014           | 0271 000217        | 001           |
| 0026 140440        | 034   | 0211 000376        | 002         | 0223 000237        | 006           | 0271 000222        | 001           |
| 0030 001340        | 004   | 0211 000381        | 002         | 0223 000238        | 006           | 0271 000226        | 001           |
| 0037 000210        | 011   | 0211 000390 K      | 002         | 0223 000646        | 002           | 0271 000227        | 001           |
| 0037 001280        | 014   | 0211 000391 A      | 002         | 0223 000937        | 006           | 0271 000237        | 001           |
| 0053 000350        | 008   | 0211 000394        | 002         | 0231 000453        | 004           | 0271 000238        | 001           |
| 0067 320150        | 004, 014  | 0211 000395        | 002         | 0238 017117 A      | 024           | 0271 000251        | 004           |
| 0067 351320        | 015   | 0211 000397 M0     | 002         | 0244 000414        | 001           | 0271 000275        | 004           |
| 0067 351680        | 013   | 0211 000398        | 002         | 0244 000415        | 001           | 0271 000298        | 004           |
| 0077 110220        | 037   | 0211 000407        | 002         | 0244 000700        | 006, 010      | 0271 000300        | 004           |
| 0077 110230        | 037   | 0211 000408 M1     | 002         | 0244 000886        | 006           | 0271 000316        | 002           |
| 0081 110030        | 040, 043,<br>046, 049,<br>052, 055,<br>058, 061 | 0211 000412 A      | 002         | 0244 014621        | 024           | 0271 000318        | 002           |
|                    |   | 0211 000432 A      | 003         | 0246 000347        | 015           | 0271 000323        | 002           |
|                    |   | 0211 000439        | 003         | 0246 000348        | 015           | 0271 000324        | 002           |
|                    |   | 0211 000440        | 003         | 0264 000762        | 005, 064      | 0271 000455        | 006           |
| 0088 147170        | 038   | 0211 000459        | 001         | 0265 000753        | 006           | 0271 000456        | 006           |
| 0098 002990        | 004, 023  | 0211 000634        | 006         | 0265 003665        | 032           | 0271 000462        | 006           |
| 0167 001800        | 012, 068  | 0211 000644        | 006         | 0267 002032        | 018           | 0271 000463        | 006           |
| 0169 002290        | 033   | 0211 000646 A      | 006         | 0268 170030        | 004           | 0271 000474        | 006           |
| 0170 150060        | 010   | 0211 000648        | 006         | 0268 170063        | 004           | 0271 000516        | 002           |
| 0196 001890        | 014   | 0211 000806        | 001, 006    | 0268 170103        | 004           | 0271 000517        | 002           |
| 0204 000230 A      | 006, 068  | 0211 001127        | 006         | 0268 170110        | 004           | 0271 000602        | 002           |
| 0211 000013        | 001   | 0211 001129        | 006         | 0269 100120        | 005           | 0271 000756        | 004, 006, 010 |
| 0211 000014        | 006   | 0211 003058        | 025         | 0271 000009        | 001           | 0271 000759        | 006           |
| 0211 000018        | 006   | 0211 008285        | 006         | 0271 000011        | 001           | 0271 001237        | 006           |
| 0211 000022        | 006   | 0211 050214        | 001         | 0271 000014        | 002           | 0271 001248        | 006           |
| 0211 000025        | 006   | 0211 050215        | 001         | 0271 000026        | 002           | 0271 001384        | 001           |
| 0211 000027        | 006   | 0211 054074        | 022         | 0271 000029        | 001           | 0271 001385        | 001           |
| 0211 000141 A      | 002   | 0211 054075        | 022         | 0271 000054        | 002           | 0271 001385 A      | 001           |
| 0211 000141 B      | 002   | 0212 000152        | 002         | 0271 000090        | 002           | 0271 001391        | 001           |
| 0211 000187        | 025   | 0213 000759        | 037         | 0271 000102        | 002           | 0271 001392        | 001           |
| 0211 000208 M4     | 002   | 0216 000052        | 009         | 0271 000119        | 002           | 0271 001397        | 001           |
| 0211 000212        | 027   | 0216 000070        | 006         | 0271 000122        | 001           | 0271 001398        | 001           |
| 0211 000256        | 004   | 0216 000103        | 036         | 0271 000124        | 001           | 0271 001410        | 006           |

| Part No./Teile-Nr. | Table/Tafel | Part No./Teile-Nr. | Table/Tafel | Part No./Teile-Nr. | Table/Tafel | Part No./Teile-Nr. | Table/Tafel   |
|--------------------|-------------|--------------------|-------------|--------------------|-------------|--------------------|---------------|
| 0271 001435        | 006         | 0271 130130        | 003         | 0271 170044        | 004         | 0367 110400        | 016           |
| 0271 001452        | 006         | 0271 130140        | 002         | 0271 350020        | 006         | 0367 110423        | 016           |
| 0271 001456        | 006         | 0271 130144        | 002         | 0271 350030        | 006         | 0367 120010        | 009           |
| 0271 001466        | 006         | 0271 130152        | 004         | 0271 350080        | 005         | 0367 120013        | 009           |
| 0271 001472        | 006         | 0271 130153        | 004         | 0272 070210        | 028, 029    | 0367 120023        | 009           |
| 0271 001483        | 006, 068    | 0271 130160        | 004         | 0272 070455        | 004         | 0367 120030        | 009           |
| 0271 001485        | 006         | 0271 130170        | 004         | 0272 070886        | 005         | 0367 120040        | 009           |
| 0271 001486        | 006         | 0271 130180        | 004         | 0291 000025        | 036         | 0367 120050        | 009           |
| 0271 001489        | 006         | 0271 130190        | 004         | 0291 000105        | 002         | 0367 120080        | 009           |
| 0271 001494        | 005         | 0271 130200        | 004         | 0291 000159        | 002, 009    | 0367 120093        | 009           |
| 0271 001495        | 005         | 0271 130223        | 003         | 0296 000510        | 011         | 0367 120100        | 009           |
| 0271 001497        | 005, 068    | 0271 130240        | 003         | 0296 001543        | 008, 016    | 0367 120110        | 009           |
| 0271 001499        | 005, 068    | 0271 130270        | 003         | 0296 150013        | 008         | 0367 120160        | 009           |
| 0271 001605        | 003         | 0271 140010        | 005         | 0367 100063        | 009         | 0367 130070        | 011           |
| 0271 100010        | 001         | 0271 140020        | 002         | 0367 100170        | 016         | 0367 130300        | 015           |
| 0271 100030        | 002         | 0271 140030        | 005         | 0367 100190        | 016         | 0367 130320        | 015           |
| 0271 100063        | 002         | 0271 140050        | 002         | 0367 100240        | 016         | 0367 130340        | 015           |
| 0271 100064        | 002         | 0271 140070        | 002         | 0367 100250        | 016         | 0367 140020        | 008           |
| 0271 100090        | 002         | 0271 140080        | 006         | 0367 100260        | 016         | 0367 140023        | 008           |
| 0271 100110        | 004         | 0271 140090        | 006         | 0367 100300        | 016         | 0367 140030        | 008           |
| 0271 100114        | 004         | 0271 140110        | 002         | 0367 100353        | 009         | 0367 150050        | 010           |
| 0271 100120        | 001         | 0271 140120        | 005, 010    | 0367 100370        | 016         | 0367 150070        | 010           |
| 0271 100124        | 001         | 0271 140130        | 005, 010    | 0367 100390        | 016         | 0367 150103        | 010, 028, 030 |
| 0271 100130        | 001         | 0271 140144        | 016         | 0367 100593        | 016         | 0367 150180        | 010           |
| 0271 100140        | 005         | 0271 140160        | 005         | 0367 110010        | 009         | 0367 150193        | 012           |
| 0271 100150        | 004         | 0271 140170        | 006         | 0367 110023        | 009         | 0367 150240        | 012           |
| 0271 100164        | 002         | 0271 140174        | 006         | 0367 110040        | 009         | 0367 150270        | 012, 068      |
| 0271 100180        | 002         | 0271 140180        | 006         | 0367 110050        | 009         | 0367 150343        | 012           |
| 0271 110030        | 001         | 0271 140190        | 005         | 0367 110070        | 009         | 0367 150360        | 012           |
| 0271 120010        | 002         | 0271 140200        | 005         | 0367 110080        | 009         | 0367 150370        | 012           |
| 0271 120014        | 002         | 0271 150034        | 006         | 0367 110130        | 014         | 0367 150380        | 012           |
| 0271 120040        | 001         | 0271 150040        | 006         | 0367 110203        | 014         | 0367 150403        | 013           |
| 0271 120104        | 002         | 0271 150054        | 006         | 0367 110220        | 016         | 0367 150413        | 013           |
| 0271 120133        | 002         | 0271 150060        | 006         | 0367 110270        | 016         | 0367 150453        | 012           |
| 0271 130010        | 003         | 0271 150070        | 006         | 0367 110300        | 014         | 0367 150490        | 012           |
| 0271 130020        | 003         | 0271 150080        | 006         | 0367 110310        | 014         | 0367 150530        | 013           |
| 0271 130030        | 003         | 0271 150090        | 006         | 0367 110333        | 014         | 0367 150540        | 013           |
| 0271 130043        | 003         | 0271 150160        | 005         | 0367 110334        | 014         | 0367 150580        | 013           |
| 0271 130083        | 003         | 0271 170020        | 004         | 0367 110370        | 014         | 0367 150590        | 013           |
| 0271 130113        | 003         | 0271 170030        | 004         | 0367 110380        | 014         | 0367 150770        | 013           |

| Part No./Teile-Nr. | Table/Tafel | Part No./Teile-Nr. | Table/Tafel | Part No./Teile-Nr. | Table/Tafel   | Part No./Teile-Nr. | Table/Tafel |
|--------------------|-------------|--------------------|-------------|--------------------|---------------|--------------------|-------------|
| 0367 150823        | 012         | 0367 310010        | 011         | 0381 100410        | 008           | 0467 100140        | 014         |
| 0367 150824        | 012         | 0367 310093        | 011         | 0381 100420        | 008           | 0467 100173        | 008         |
| 0367 150830        | 012         | 0367 310143        | 011         | 0381 170074        | 028, 029      | 0467 100390        | 016         |
| 0367 150840        | 012         | 0367 310153        | 011         | 0381 170080        | 028, 029      | 0467 100523        | 014         |
| 0367 150900        | 012         | 0367 310160        | 011         | 0396 103740        | 009           | 0467 100580        | 008         |
| 0367 150910        | 012         | 0367 310164        | 011         | 0396 105120        | 028, 030      | 0467 100590        | 008         |
| 0367 150930        | 010         | 0367 310170        | 011         | 0396 105290        | 008           | 0467 100600        | 008         |
| 0367 150940        | 010         | 0367 310174        | 011         | 0396 110100        | 007, 019      | 0467 100610        | 005, 008    |
| 0367 150950        | 010         | 0367 310180        | 016         | 0396 110470        | 014           | 0467 100670        | 013         |
| 0367 160030        | 011         | 0367 310190        | 011         | 0396 111050        | 037           | 0467 100690        | 009         |
| 0367 160064        | 010         | 0367 310194        | 011         | 0396 111320        | 037           | 0467 110060        | 014         |
| 0367 160090        | 010         | 0367 310210        | 011         | 0396 111850        | 008           | 0467 110090        | 016         |
| 0367 160100        | 010         | 0367 310220        | 011         | 0396 120450        | 009           | 0467 110110        | 014         |
| 0367 160110        | 010         | 0367 310233        | 011         | 0396 140050        | 008           | 0467 110120        | 014         |
| 0367 160120        | 010         | 0367 310250        | 011         | 0396 152180        | 002           | 0467 110130        | 014         |
| 0367 160130        | 011         | 0367 310280        | 011         | 0396 160553        | 011           | 0467 110150        | 014         |
| 0367 160140        | 013         | 0367 310330        | 009, 011    | 0396 170060        | 004           | 0467 110154        | 014         |
| 0367 160210        | 011         | 0367 310360        | 011         | 0396 170080        | 004, 014      | 0467 110280        | 008         |
| 0367 160214        | 011         | 0367 310370        | 011, 016    | 0396 170160        | 014           | 0467 120130        | 009         |
| 0367 160233        | 011         | 0367 310400        | 009         | 0396 170170        | 014           | 0467 120514        | 009         |
| 0367 160240        | 011         | 0367 310820        | 010         | 0396 170253        | 014           | 0467 120524        | 009         |
| 0367 160273        | 010         | 0367 310830        | 010         | 0396 170260        | 014           | 0467 130093        | 015         |
| 0367 160290        | 010         | 0367 310850        | 010         | 0396 170270        | 004, 014      | 0467 130110        | 015         |
| 0367 160310        | 010, 011    | 0367 310980        | 011         | 0396 170283        | 004, 014      | 0467 130140        | 015         |
| 0367 160320        | 011         | 0367 311363        | 011         | 0396 221123        | 068           | 0467 130150        | 015         |
| 0367 160640        | 011         | 0367 330713        | 011         | 0396 222654        | 003           | 0467 130163        | 015         |
| 0367 160680        | 011         | 0367 330714        | 011         | 0396 222660        | 003           | 0467 130183        | 015         |
| 0367 160720        | 011         | 0367 350050        | 013, 068    | 0396 222670        | 003           | 0467 130184        | 015         |
| 0367 160740        | 011         | 0367 350060        | 013, 068    | 0396 310080        | 011           | 0467 130190        | 015         |
| 0367 170020        | 014         | 0367 350070        | 013, 068    | 0396 340440        | 014           | 0467 130203        | 015         |
| 0367 170033        | 014         | 0367 350083        | 013         | 0396 342550        | 004           | 0467 130240        | 015         |
| 0367 170040        | 014         | 0367 350103        | 012         | 0396 342580        | 004           | 0467 130253        | 015         |
| 0367 170044        | 014         | 0367 350113        | 013         | 0396 343073        | 004           | 0467 130260        | 015         |
| 0367 170060        | 014         | 0367 350120        | 013         | 0396 343150        | 004           | 0467 130340        | 015         |
| 0367 170070        | 014         | 0367 350130        | 013         | 0396 350970        | 015           | 0467 130390        | 015         |
| 0367 170083        | 004, 014    | 0367 350140        | 013         | 0430 277360        | 014, 028, 029 | 0467 140110        | 008         |
| 0367 170090        | 014         | 0367 350150        | 013         | 0467 100010        | 014           | 0467 140120        | 008         |
| 0367 250020        | 068         | 0367 350163        | 013         | 0467 100090        | 014           | 0467 150030        | 012         |
| 0367 250030        | 068         | 0367 350180        | 013         | 0467 100100        | 008           | 0467 150283        | 013, 016    |
| 0367 250044        | 034         | 0370 221230        | 010         | 0467 100114        | 009           | 0467 150320        | 012         |

| Part No./Teile-Nr. | Table/Tafel | Part No./Teile-Nr. | Table/Tafel | Part No./Teile-Nr. | Table/Tafel   | Part No./Teile-Nr. | Table/Tafel |
|--------------------|-------------|--------------------|-------------|--------------------|---------------|--------------------|-------------|
| 0467 150353        | 012         | 0467 220620        | 009         | 0576 001371        | 028, 029      | 0744 001793 A      | 035         |
| 0467 150364        | 012, 013    | 0467 220630        | 009         | 0578 000880 A      | 018           | 0744 001793 B      | 035         |
| 0467 150370        | 012         | 0467 220640        | 009         | 0578 020064        | 015           | 0744 001796        | 035         |
| 0467 150380        | 012         | 0467 220650        | 009         | 0578 020738        | 023, 034      | 0744 001801 B      | 001         |
| 0467 150393        | 012, 016    | 0467 220660        | 009         | 0620 760092        | 001           | 0744 001974        | 035         |
| 0467 150400        | 016         | 0467 220674        | 009         | 0699 975001        | 041, 044,     | 0744 003118        | 027         |
| 0467 150410        | 016         | 0467 310043        | 011, 016    |                    | 047, 050      | 0744 009516        | 035         |
| 0467 150430        | 012         | 0467 310240        | 009         | 0699 979100        | 009, 011, 016 | 0744 020333        | 026         |
| 0467 150440        | 012         | 0467 310243        | 009         | 0699 979104        | 011, 016      | 0746 000822        | 022         |
| 0467 150583        | 010, 016    | 0467 310244        | 009         | 0699 979123        | 034           | 0746 001416        | 018, 021,   |
| 0467 150630        | 010         | 0467 310263        | 009         | 0699 979265        | 064           |                    | 022, 024,   |
| 0467 150670        | 012         | 0467 310273        | 016         | 0699 980350        | 066, 067      |                    | 026, 027    |
| 0467 150710        | 008         | 0467 310280        | 016         | 0699 980400        | 040, 043,     | 0746 011028        | 037         |
| 0467 150740        | 012         | 0467 310324        | 010         |                    | 046, 049,     | 0746 011337        | 015         |
| 0467 150750        | 012         | 0467 340353        | 028, 030    |                    | 052, 055,     | 0748 000295        | 002         |
| 0467 150773        | 012         | 0467 350020        | 013         |                    | 058, 061, 068 | 0767 100010        | 008         |
| 0467 150824        | 012         | 0467 380070        | 011         | 0699 989137        | 040, 046,     | 0767 100024        | 009         |
| 0467 150854        | 012         | 0477 160223        | 011         |                    | 052, 063,     | 0767 100044        | 009         |
| 0467 150863        | 009, 010    | 0477 250160        | 037         |                    | 065, 066,     | 0767 110300        | 009         |
| 0467 150880        | 010         | 0477 310033        | 009         |                    | 067, 068      | 0767 120060        | 009         |
| 0467 151180        | 010         | 0504 170092        | 034         | 0699 989155        | 053, 056,     | 0767 140050        | 008         |
| 0467 151190        | 010         | 0504 331150        | 067         |                    | 059, 065, 068 | 0767 150050        | 012         |
| 0467 151200        | 010         | 0504 331340        | 010, 015    | 0699 989157        | 063           | 0767 150060        | 012         |
| 0467 151204        | 010         | 0531 000464        | 005, 006    | 0699 989250        | 008, 014      | 0767 150070        | 012         |
| 0467 151210        | 010         | 0540 100850        | 003         | 0699 991582        | 012           | 0767 150140        | 008         |
| 0467 151220        | 010         | 0556 000545        | 025         | 0700 000043        | 034           | 0767 150143        | 008         |
| 0467 160083        | 011         | 0556 000895        | 006         | 0700 000044        | 034           | 0767 150144        | 008         |
| 0467 160120        | 011         | 0556 003087        | 001         | 0700 000045        | 034           | 0767 150150        | 008         |
| 0467 160270        | 010         | 0556 003088        | 001         | 0700 000050        | 034           | 0767 150230        | 016         |
| 0467 170010        | 009         | 0558 000269        | 006         | 0702 000063        | 006           | 0767 350010        | 013         |
| 0467 170013        | 009         | 0558 000305 A      | 034         | 0702 000073        | 012, 014      | 0767 350464        | 031         |
| 0467 180014        | 010         | 0558 000450        | 002         | 0718 015236        | 003           | 0791 000007        | 068         |
| 0467 180053        | 010         | 0558 001596        | 034         | 0739 000347        | 006           | 0791 001081        | 037         |
| 0467 180074        | 010         | 0558 006069        | 025         | 0742 001741        | 032           | 0791 001090        | 037         |
| 0467 180094        | 011         | 0568 340090        | 004, 023    | 0742 002096        | 035           | 0791 001093 A      | 002, 037    |
| 0467 180100        | 010         | 0568 340530        | 004         | 0742 003023        | 034           | 0791 001095        | 037         |
| 0467 180124        | 011         | 0570 000055        | 002         | 0742 003040        | 034           | 0791 001111        | 037         |
| 0467 220063        | 068         | 0570 000479        | 018         | 0742 007340        | 034           | 0791 001112        | 037         |
| 0467 220070        | 068         | 0570 002382        | 006         | 0742 041349        | 023           | 0791 001113        | 037         |
| 0467 220313        | 017         | 0570 010007        | 002         | 0742 055716        | 063           | 0791 001200        | 037         |

| Part No./Teile-Nr. | Table/Tafel   | Part No./Teile-Nr. | Table/Tafel   | Part No./Teile-Nr. | Table/Tafel | Part No./Teile-Nr. | Table/Tafel   |
|--------------------|---------------|--------------------|---------------|--------------------|-------------|--------------------|---------------|
| 0793 021729        | 027           | 0804 412260        | 039, 042,     |                    | 047, 050    | 0805 410350        | 039, 042,     |
| 0793 069032        | 034           |                    | 045, 048      | 0805 402270        | 041, 044,   |                    | 045, 048      |
| 0794 000025        | 034           | 0804 412273        | 039, 042,     |                    | 047, 050    | 0805 410363        | 039, 042,     |
| 0794 000813        | 018           |                    | 045, 048      | 0805 402280        | 034         |                    | 045, 048      |
| 0794 002244        | 017           | 0804 412283        | 039, 042,     | 0805 402290        | 034         | 0805 410380        | 039, 042,     |
| 0797 000902        | 035           |                    | 045, 048,     | 0805 402310        | 034         |                    | 045, 048      |
| 0797 000926        | 035           |                    | 051, 054,     | 0805 402320        | 041, 044,   | 0805 410390        | 039, 042,     |
| 0797 001535        | 031           |                    | 057, 060      |                    | 047, 050    |                    | 045, 048,     |
| 0797 002016        | 003, 016      | 0804 412313        | 051, 057, 060 | 0805 402410        | 007, 019    |                    | 051, 054, 060 |
| 0797 002017        | 024           | 0804 412323        | 051, 054,     | 0805 402710        | 033, 034    | 0805 410400        | 039, 042,     |
| 0797 002252        | 035           |                    | 057, 060      | 0805 402970        | 034         |                    | 045, 048,     |
| 0797 002302        | 021, 035      | 0804 412373        | 051, 054,     | 0805 410020        | 023         |                    | 051, 057, 060 |
| 0797 003031        | 035           |                    | 057, 060      | 0805 410033        | 040, 043,   | 0805 410410        | 039, 042,     |
| 0797 003063        | 035           | 0804 412383        | 051, 054,     |                    | 046, 049,   |                    | 045, 048      |
| 0798 423106        | 025           |                    | 057, 060      |                    | 052, 055,   | 0805 410420        | 039, 042,     |
| 0798 500088        | 036           | 0804 412722        | 067           |                    | 058, 061    |                    | 045, 048      |
| 0801 400630        | 015           | 0804 412742        | 067           | 0805 410053        | 024         | 0805 410430        | 039, 042,     |
| 0801 410752        | 065, 066      | 0804 412990        | 063           | 0805 410070        | 023         |                    | 045, 048,     |
| 0801 410792        | 065, 066      | 0804 413190        | 017           | 0805 410080        | 023         |                    | 054, 057, 060 |
| 0801 420400        | 034           | 0804 413282        | 067           | 0805 410090        | 023, 024    | 0805 410440        | 042, 054      |
| 0802 414720        | 065, 066, 067 | 0804 413292        | 067           | 0805 410100        | 040, 041,   | 0805 410453        | 042           |
| 0802 414730        | 065, 066, 067 | 0804 413302        | 067           |                    | 043, 044,   | 0805 410480        | 042, 048      |
| 0802 511690        | 004           | 0804 413352        | 067           | 0805 410110        | 023         | 0805 410490        | 042, 054      |
| 0802 511720        | 017           | 0804 413362        | 067           | 0805 410130        | 023         | 0805 410500        | 039, 042,     |
| 0802 511990        | 014           | 0805 400220        | 034           | 0805 410140        | 023         |                    | 045, 048,     |
| 0802 513023        | 014           | 0805 400860        | 034           | 0805 410143        | 023         |                    | 051, 054,     |
| 0802 513040        | 014           | 0805 401220        | 007, 019      | 0805 410150        | 023         |                    | 057, 060      |
| 0802 513080        | 014           | 0805 401230        | 007, 019      | 0805 410160        | 023         | 0805 410570        | 039, 042,     |
| 0804 400270        | 068           | 0805 401240        | 007, 019      | 0805 410170        | 023         |                    | 045, 048,     |
| 0804 400280        | 068           | 0805 401270        | 033           | 0805 410180        | 023         |                    | 051, 054,     |
| 0804 400290        | 068           | 0805 401280        | 033           | 0805 410190        | 024         |                    | 057, 060      |
| 0804 401980        | 017           | 0805 401290        | 033           | 0805 410200        | 024         | 0805 410600        | 039, 042,     |
| 0804 410110        | 022, 024      | 0805 401442        | 033           | 0805 410213        | 024         |                    | 045, 048,     |
| 0804 410520        | 023, 028, 030 | 0805 401452        | 033           | 0805 410220        | 023, 024    |                    | 051, 057, 060 |
| 0804 411662        | 039, 042,     | 0805 401462        | 033           | 0805 410230        | 024         | 0805 410650        | 040, 043,     |
|                    | 045, 048      | 0805 401470        | 033           | 0805 410240        | 024         |                    | 046, 049,     |
| 0804 411700        | 039, 042,     | 0805 401500        | 033, 034      | 0805 410253        | 024         |                    | 052, 055,     |
|                    | 045, 048,     | 0805 402000        | 007, 019      | 0805 410290        | 023         |                    | 058, 061      |
| 0804 412250        | 039, 042,     | 0805 402090        | 035           | 0805 410300        | 023         | 0805 410660        | 040, 043,     |
|                    | 045, 048,     | 0805 402263        | 041, 044,     | 0805 410310        | 022         |                    | 046, 049,     |



| Part No./Teile-Nr. | Table/Tafel   | Part No./Teile-Nr. | Table/Tafel   | Part No./Teile-Nr. | Table/Tafel   | Part No./Teile-Nr. | Table/Tafel   |
|--------------------|---------------|--------------------|---------------|--------------------|---------------|--------------------|---------------|
|                    | 052, 055,     | 0805 410840        | 063, 065, 068 | 0805 411100        | 021, 024      | 0805 411440        | 065, 066, 067 |
|                    | 058, 061      | 0805 410852        | 041, 044,     | 0805 411110        | 022           | 0805 411450        | 065, 066, 067 |
| 0805 410670        | 040, 043,     |                    | 047, 050,     | 0805 411120        | 024           | 0805 411460        | 065, 066      |
|                    | 046, 049,     |                    | 053, 056,     | 0805 411180        | 023           | 0805 411470        | 065, 066, 067 |
|                    | 052, 055,     |                    | 059, 062      | 0805 411190        | 023           | 0805 411482        | 065           |
|                    | 058, 061      | 0805 410870        | 041, 044,     | 0805 411212        | 053, 056, 059 | 0805 411490        | 065           |
| 0805 410680        | 040, 043,     |                    | 047, 050,     |                    | 051, 054,     | 0805 411500        | 065           |
|                    | 046, 049,     |                    | 053, 056,     |                    | 057, 060      | 0805 411510        | 065, 066, 067 |
|                    | 052, 055,     |                    | 059, 062      |                    | 051, 054,     | 0805 411540        | 064           |
|                    | 058, 061      | 0805 410873        | 041, 044,     |                    | 057, 060      | 0805 411553        | 065           |
| 0805 410690        | 040, 043,     |                    | 047, 050,     |                    | 039, 042,     | 0805 411560        | 064           |
|                    | 046, 049,     |                    | 053, 056,     |                    | 045, 048,     | 0805 411700        | 038           |
|                    | 052, 055,     |                    | 059, 062      |                    | 051, 054,     | 0805 411710        | 038           |
|                    | 058, 061      | 0805 410880        | 041, 044,     |                    | 057, 060      | 0805 411730        | 038           |
| 0805 410700        | 040, 043,     |                    | 047, 050,     | 0805 411220        | 051, 054,     | 0805 411740        | 038           |
|                    | 046, 049,     |                    | 053, 056,     |                    | 057, 060      | 0805 411750        | 038           |
|                    | 052, 055,     |                    | 059, 062      | 0805 411230        | 051, 054,     | 0805 411760        | 038           |
|                    | 058, 061      | 0805 410910        | 041, 044,     |                    | 057, 060      | 0805 411770        | 038           |
| 0805 410750        | 039, 042,     |                    | 047, 050,     | 0805 411250        | 051, 054, 057 | 0805 411780        | 038           |
|                    | 045, 048      |                    | 053, 056,     | 0805 411260        | 051, 054,     | 0805 411790        | 038           |
| 0805 410760        | 042, 048      |                    | 059, 062      |                    | 057, 060      | 0805 411800        | 038           |
| 0805 410803        | 039, 040,     | 0805 410920        | 041, 044,     | 0805 411270        | 040, 043,     | 0805 411810        | 038           |
|                    | 042, 043      |                    | 047, 050,     |                    | 046, 049,     | 0805 411820        | 038           |
|                    | 045, 046,     |                    | 053, 056,     |                    | 052, 055,     | 0805 411823        | 038           |
|                    | 048, 049,     |                    | 059, 062      |                    | 058, 061,     | 0805 411830        | 038           |
|                    | 057, 058,     | 0805 410932        | 039, 051      |                    | 066, 067      | 0805 411840        | 038           |
|                    | 060, 061      | 0805 410942        | 039, 051      | 0805 411290        | 054           | 0805 411850        | 038           |
| 0805 410810        | 039, 042,     | 0805 410950        | 039           | 0805 411310        | 064           | 0805 411853        | 038           |
|                    | 045, 048,     | 0805 410960        | 039           | 0805 411320        | 064           | 0805 411860        | 038           |
|                    | 051, 054,     | 0805 410970        | 063, 065,     | 0805 411330        | 064           | 0805 411870        | 038           |
|                    | 057, 060      |                    | 066, 067      | 0805 411340        | 064           | 0805 411900        | 066, 067      |
| 0805 410820        | 040, 043,     | 0805 410980        | 063, 065,     | 0805 411350        | 064           | 0805 411910        | 022           |
|                    | 046, 049,     |                    | 066, 067      | 0805 411360        | 015, 064      | 0805 411920        | 022           |
|                    | 052, 055,     | 0805 411010        | 063, 065,     | 0805 411370        | 064           | 0805 411930        | 022           |
|                    | 058, 061,     |                    | 066, 067      | 0805 411380        | 064           | 0805 411940        | 039, 042,     |
|                    | 063, 068      | 0805 411020        | 063, 065,     | 0805 411390        | 064           |                    | 045, 048,     |
| 0805 410830        | 039, 042,     |                    | 066, 067      | 0805 411400        | 064           |                    | 051, 054,     |
|                    | 045, 048,     | 0805 411030        | 063           | 0805 411410        | 065, 066, 067 |                    | 057, 060      |
|                    | 051, 054,     | 0805 411040        | 063           | 0805 411420        | 065           | 0805 411950        | 039, 042,     |
|                    | 057, 060, 068 | 0805 411070        | 063           | 0805 411430        | 065, 066      |                    | 045, 048,     |

| Part No./Teile-Nr. | Table/Tafel   | Part No./Teile-Nr. | Table/Tafel | Part No./Teile-Nr. | Table/Tafel | Part No./Teile-Nr. | Table/Tafel |
|--------------------|---------------|--------------------|-------------|--------------------|-------------|--------------------|-------------|
|                    | 051, 054,     | 0805 412400        | 038         | 0806 400030        | 026         | 0806 400590        | 027         |
|                    | 057, 060      | 0805 412413        | 038         | 0806 400034        | 026         | 0806 400600        | 027         |
| 0805 411960        | 039, 042,     | 0805 412420        | 038         | 0806 400040        | 026         | 0806 400604        | 027         |
|                    | 045, 048,     | 0805 412433        | 038         | 0806 400050        | 025         | 0806 400610        | 027         |
|                    | 051, 054,     | 0805 412440        | 038         | 0806 400054        | 025         | 0806 400614        | 027         |
|                    | 057, 060      | 0805 412450        | 038         | 0806 400090        | 034         | 0806 400620        | 027         |
| 0805 411970        | 039, 048, 060 | 0805 412460        | 038         | 0806 400094        | 034         | 0806 400630        | 027         |
| 0805 411980        | 039, 045,     | 0805 412473        | 038         | 0806 400100        | 034         | 0806 400640        | 027         |
|                    | 051, 057      | 0805 412512        | 051         | 0806 400104        | 034         | 0806 400650        | 026         |
| 0805 411990        | 042, 045,     | 0805 412522        | 041, 044,   | 0806 400110        | 033         | 0806 400663        | 026         |
|                    | 048, 054,     |                    | 047, 050,   | 0806 400120        | 033         | 0806 400664        | 026         |
|                    | 057, 060      |                    | 053, 056,   | 0806 400130        | 033         | 0806 400683        | 034         |
| 0805 412000        | 054           |                    | 059, 062    | 0806 400163        | 019         | 0806 400690        | 034         |
| 0805 412014        | 041, 044,     | 0805 412530        | 051, 054,   | 0806 400180        | 019         | 0806 400704        | 034         |
|                    | 047, 050      |                    | 057, 060    | 0806 400190        | 005         | 0806 400773        | 034         |
| 0805 412030        | 066, 067      | 0805 412560        | 040, 043,   | 0806 400200        | 017         | 0806 400780        | 034         |
| 0805 412042        | 066           |                    | 046, 049,   | 0806 400210        | 018         | 0806 400790        | 034         |
| 0805 412052        | 066           |                    | 052, 055,   | 0806 400214        | 018         | 0806 400804        | 034         |
| 0805 412072        | 066           |                    | 058, 061    | 0806 400220        | 018         | 0806 400810        | 034         |
| 0805 412080        | 066, 067      | 0805 417609        | 063         | 0806 400230        | 018         | 0806 400820        | 034         |
| 0805 412090        | 067           | 0805 420050        | 031         | 0806 400240        | 018         | 0806 400830        | 034         |
| 0805 412100        | 067           | 0805 420060        | 031         | 0806 400250        | 018         | 0806 400843        | 034         |
| 0805 412110        | 067           | 0805 420090        | 031         | 0806 400260        | 007, 019    | 0806 400970        | 033         |
| 0805 412120        | 067           | 0805 420110        | 031         | 0806 400273        | 007         | 0806 400980        | 033         |
| 0805 412140        | 039, 042,     | 0805 420290        | 037         | 0806 400313        | 019         | 0806 400990        | 033         |
|                    | 045, 048      | 0805 420310        | 029         | 0806 400340        | 018         | 0806 401013        | 033         |
|                    | 051, 054,     | 0805 420390        | 029         | 0806 400360        | 018         | 0806 401023        | 033         |
|                    | 057, 060      | 0805 420480        | 029         | 0806 400373        | 018         | 0806 401033        | 033         |
| 0805 412212        | 066           | 0805 420600        | 028, 030    | 0806 400404        | 018         | 0806 401043        | 033         |
| 0805 412220        | 051           | 0805 420610        | 029         | 0806 400443        | 018         | 0806 401053        | 033         |
| 0805 412230        | 051           | 0805 420620        | 028, 030    | 0806 400460        | 036         | 0806 401063        | 033         |
| 0805 412282        | 067           | 0805 420630        | 028, 030    | 0806 400490        | 033         | 0806 401073        | 033         |
| 0805 412302        | 067           | 0805 421720        | 030         | 0806 400500        | 026         | 0806 401083        | 033         |
| 0805 412310        | 067           | 0805 480010        | 022         | 0806 400510        | 026         | 0806 401113        | 033         |
| 0805 412332        | 067           | 0805 480020        | 026, 027    | 0806 400520        | 026         | 0806 401120        | 033         |
| 0805 412350        | 038           | 0805 480210        | 025         | 0806 400530        | 026         | 0806 401233        | 033         |
| 0805 412360        | 038           | 0805 480860        | 034         | 0806 400540        | 026         | 0806 401270        | 034         |
| 0805 412373        | 038           | 0805 530230        | 031         | 0806 400554        | 026, 027    | 0806 401280        | 033         |
| 0805 412380        | 038           | 0806 400014        | 033         | 0806 400570        | 027         | 0806 401293        | 033         |
| 0805 412390        | 038           | 0806 400023        | 027         | 0806 400580        | 026         | 0806 401300        | 033         |

| Part No./Teile-Nr. | Table/Tafel           | Part No./Teile-Nr. | Table/Tafel | Part No./Teile-Nr. | Table/Tafel   | Part No./Teile-Nr. | Table/Tafel |
|--------------------|-----------------------|--------------------|-------------|--------------------|---------------|--------------------|-------------|
| 0806 401310        | 037                   | 0806 401970        | 025         | 0806 410540        | 063, 065,     | 0806 420403        | 029         |
| 0806 401320        | 037                   | 0806 401980        | 033         |                    | 066, 067      | 0806 420410        | 030         |
| 0806 401330        | 037                   | 0806 402000        | 033         | 0806 410550        | 063, 065      | 0806 420420        | 029         |
| 0806 401340        | 018                   | 0806 402550        | 018         | 0806 410560        | 063, 065      | 0806 420514        | 028         |
| 0806 401350        | 027                   | 0806 402570        | 035         | 0806 410570        | 063, 065,     | 0806 420524        | 029, 030    |
| 0806 401363        | 017                   | 0806 402590        | 025         |                    | 066, 067      | 0806 437534        | 019         |
| 0806 401380        | 017                   | 0806 402610        | 008         | 0806 410600        | 063, 065,     | 0808 412313        | 054         |
| 0806 401390        | 017                   | 0806 402630        | 025         |                    | 066, 067      | 0893 211058        | 008         |
| 0806 401400        | 017                   | 0806 402640        | 017         | 0806 410642        | 066, 067      | 0893 230468        | 039, 042,   |
| 0806 401410        | 017                   | 0806 402670        | 036         | 0806 410730        | 068           |                    | 045, 048    |
| 0806 401420        | 017                   | 0806 402680        | 036         | 0806 411710        | 025           | 0893 330700        | 023, 024    |
| 0806 401470        | 033                   | 0806 402694        | 036         | 0806 417514        | 063, 065      | 0893 520720        | 039, 042,   |
| 0806 401610        | 017                   | 0806 402734        | 026         | 0806 420010        | 032           |                    | 045, 048    |
| 0806 401620        | 017                   | 0806 403504        | 033         | 0806 420020        | 032           | 0893 520940        | 051, 054,   |
| 0806 401640        | 027                   | 0806 405060        | 026         | 0806 420030        | 032           |                    | 057, 060    |
| 0806 401644        | 027                   | 0806 405144        | 034         | 0806 420040        | 032           | 0894 450368        | 017, 034    |
| 0806 401650        | 027                   | 0806 407614        | 036         | 0806 420053        | 031           | 0894 450378        | 016         |
| 0806 401670        | 027                   | 0806 410010        | 022         | 0806 420080        | 031           | 0894 450388        | 013         |
| 0806 401680        | 025                   | 0806 410040        | 024         | 0806 420093        | 031           | 0894 582430        | 016         |
| 0806 401690        | 025                   | 0806 410063        | 021         | 0806 420100        | 031           | 0895 340740        | 040, 043,   |
| 0806 401700        | 063, 065,<br>066, 067 | 0806 410190        | 021         | 0806 420110        | 031           |                    | 046, 049,   |
|                    |                       | 0806 410200        | 021         | 0806 420120        | 031           |                    | 052, 055,   |
| 0806 401724        | 025                   | 0806 410220        | 021         | 0806 420130        | 031           |                    | 058, 061    |
| 0806 401730        | 025                   | 0806 410230        | 022         | 0806 420140        | 031           | 0911 000339        | 012, 013    |
| 0806 401740        | 025                   | 0806 410240        | 023         | 0806 420170        | 032           | 0933 000075        | 002         |
| 0806 401750        | 025                   | 0806 410260        | 021         | 0806 420203        | 028           | 0933 001544        | 005, 010    |
| 0806 401760        | 025                   | 0806 410273        | 036         | 0806 420240        | 028, 029      | 0933 001565        | 005, 016    |
| 0806 401770        | 025                   | 0806 410300        | 021         | 0806 420250        | 028, 029      | 0933 006268        | 025         |
| 0806 401780        | 025                   | 0806 410350        | 039, 042,   | 0806 420260        | 028, 029      | 0933 022537        | 022         |
| 0806 401803        | 025                   |                    | 045, 048,   | 0806 420270        | 028, 030      | 0933 022567        | 005         |
| 0806 401810        | 025                   |                    | 051, 054,   | 0806 420280        | 028, 030      | 0933 063984        | 006, 068    |
| 0806 401820        | 018                   |                    | 057, 060    | 0806 420290        | 028, 030      | 0935 103557        | 002         |
| 0806 401833        | 007, 019              | 0806 410400        | 036         | 0806 420300        | 028, 030      | 0935 103558        | 002         |
| 0806 401840        | 027                   | 0806 410410        | 036         | 0806 420310        | 028, 030      | 0935 105193        | 006         |
| 0806 401903        | 033                   | 0806 410420        | 036         | 0806 420320        | 028, 030      | 0942 004574        | 034         |
| 0806 401920        | 034                   | 0806 410430        | 036         | 0806 420330        | 028, 029      | 0961 352343        | 035         |
| 0806 401930        | 037                   | 0806 410440        | 036         | 0806 420340        | 028, 029      | 0962 400250        | 067         |
| 0806 401940        | 037                   | 0806 410450        | 036         | 0806 420350        | 028, 029      | 0965 513140        | 010         |
| 0806 401950        | 035                   | 0806 410460        | 036         | 0806 420360        | 028, 029      | 0971 411940        | 007, 019    |
| 0806 401960        | 018                   |                    |             | 0806 420370        | 028, 029, 033 | 0973 401673        | 034         |

| Part No./Teile-Nr. | Table/Tafel                | Part No./Teile-Nr. | Table/Tafel   | Part No./Teile-Nr. | Table/Tafel        | Part No./Teile-Nr. | Table/Tafel   |
|--------------------|----------------------------|--------------------|---------------|--------------------|--------------------|--------------------|---------------|
| 0973 404933        | 018                        | 0993 520940        | 009           | 0998 859400        | 013                | 0999 210803        | 031           |
| 0973 405090        | 036                        | 0993 521140        | 011           | 0998 860530        | 013                | 0999 210804        | 031           |
| 0973 460903        | 012                        | 0993 834106        | 068           | 0998 860670        | 010                | 0999 210834        | 011           |
| 0973 461020        | 031                        | 0993 904247        | 068           | 0998 860680        | 011                | 0999 210876        | 030           |
| 0975 417340        | 014                        | 0993 940758        | 012           | 0998 860960        | 024                | 0999 210881        | 007, 019      |
| 0977 400250        | 026                        | 0993 941028        | 015           | 0998 861590        | 004, 014           | 0999 210886        | 028           |
| 0977 400580        | 026                        | 0993 941118        | 002           | 0998 865000        | 009, 017,          | 0999 210890        | 012           |
| 0980 401920        | 015                        | 0993 941218        | 031           |                    | 023, 025,          | 0999 210925        | 023           |
| 0980 424370        | 064                        | 0993 950818        | 028, 030      |                    | 065, 068           | 0999 210956        | 010, 025      |
| 0990 240057        | 037                        | 0993 991700        | 014           | 0998 880120        | 009                | 0999 211002        | 024           |
| 0990 310089        | 066, 067                   | 0993 991910        | 004, 023      | 0998 880610        | 031                | 0999 211007        | 023           |
| 0990 420020        | 041, 044,<br>047, 050      | 0994 252047        | 018           | 0998 881010        | 015, 028,          | 0999 211008        | 031           |
| 0990 490128        | 068                        | 0994 850478        | 038           |                    | 030, 040           | 0999 211012        | 007, 019      |
| 0990 490241        | 038                        | 0995 110210        | 008           | 0998 881040        | 004, 042, 045      | 0999 211038        | 009, 010      |
| 0990 490242        | 038                        | 0996 031118        | 011           | 0998 881070        | 040, 043,          | 0999 220155        | 038           |
| 0990 490243        | 038                        | 0996 051300        | 026           |                    | 046, 049,          | 0999 220381        | 035           |
| 0990 810078        | 068                        | 0996 060250        | 004, 023      |                    | 052, 055,          | 0999 220382        | 035           |
| 0990 810083        | 068                        | 0996 120328        | 039, 042,     |                    | 058, 061           | 0999 220475        | 017           |
| 0990 810084        | 068                        |                    | 045, 048      | 0998 881080        | 023                | 0999 220550        | 035           |
| 0990 810085        | 068                        | 0996 120347        | 014, 064,     | 0998 881100        | 023                | 0999 220677        | 028, 029      |
| 0992 016580        | 012                        |                    | 065, 066, 067 | 0998 881520        | 004, 005           | 0999 220694        | 011           |
| 0992 018957        | 067                        | 0996 120367        | 028, 029,     | 0998 881620        | 011, 012           | 0999 220710        | 016           |
| 0992 023560        | 012                        |                    | 039, 042,     | 0998 882050        | 023                | 0999 220726        | 015           |
| 0992 023577        | 012                        | 0996 120387        | 045, 048      | 0998 882100        | 025, 026           | 0999 220752        | 006           |
| 0992 023810        | 012                        |                    | 020, 028,     | 0998 885050        | 004                | 0999 220761        | 031           |
| 0992 023820        | 013                        |                    | 029, 030,     | 0998 912110        | 010                | 0999 220764        | 007, 019, 022 |
| 0992 024147        | 014                        |                    | 051, 054,     | 0999 190245        | 018                | 0999 220770        | 028, 029      |
| 0992 024698        | 023, 024                   | 0996 120407        | 057, 060      | 0999 190364        | 034                | 0999 220790        | 016           |
| 0992 024848        | 007, 019                   | 0996 120427        | 021           | 0999 201517        | 016                | 0999 220817        | 023, 024      |
| 0993 020930        | 064                        | 0996 760500        | 023, 028, 030 | 0999 201573        | 013                | 0999 220824        | 039, 042,     |
| 0993 020950        | 012                        | 0996 790570        | 005, 008, 025 | 0999 202390        | 017, 022,          |                    | 045, 048      |
| 0993 021490        | 028, 030                   |                    | 040, 043,     |                    | 025, 027,          | 0999 220827        | 040, 043,     |
| 0993 150757        | 016                        |                    | 046, 049      | 0999 202461        | 014                |                    | 046, 049      |
| 0993 271297        | 038                        |                    | 052, 055,     | 0999 202494        | 026                | 0999 220829        | 035           |
| 0993 393217        | 034                        | 0998 830318        | 058, 061      | 0999 210205        | 024                | 0999 220837        | 007, 019      |
| 0993 411208        | 014                        | 0998 852260        | 011           | 0999 210661        | 039, 042, 045, 048 | 0999 220849        | 065, 066, 067 |
| 0993 520420        | 045, 048                   | 0998 856800        | 010           | 0999 210689        | 021                | 0999 220851        | 064           |
| 0993 520740        | 024, 051,<br>054, 057, 060 | 0998 856900        | 010           | 0999 210729        | 025                | 0999 220852        | 010           |
|                    |                            | 0998 857800        | 010           | 0999 210760        | 038                | 0999 220854        | 034, 066, 067 |
|                    |                            |                    | 010           | 0999 210796        | 031                |                    |               |

| Part No./Teile-Nr. | Table/Tafel                                     | Part No./Teile-Nr. | Table/Tafel                | Part No./Teile-Nr. | Table/Tafel  | Part No./Teile-Nr. | Table/Tafel  |
|--------------------|---|--------------------|----------------------------|--------------------|--|--------------------|--|
| 0999 220855        | 051, 054,<br>057, 060                           | 9041 100025        | 003, 006                   | 9129 016050        | 009  | 9201 113357        | 018  |
| 0999 230209        | 024   | 9041 100030        | 001                        | 9129 016060        | 002  | 9201 113368        | 018  |
| 0999 230229        | 023   | 9041 100035        | 001, 006                   | 9129 020210        | 010  | 9201 113407        | 022  |
| 0999 230518        | 012, 025  | 9041 100050        | 002, 016                   | 9130 221021        | 007, 019   | 9201 113677        | 018  |
| 0999 230573        | 028, 030  | 9041 100203        | 001, 002                   | 9130 255011        | 027  | 9201 113707        | 017, 032   |
| 0999 231318        | 005, 008  | 9041 100212        | 016                        | 9130 255012        | 026, 027   | 9201 113717        | 011  |
| 0999 232213        | 009   | 9041 102025        | 002                        | 9135 000001        | 027  | 9201 113737        | 026  |
| 0999 233528        | 023   | 9047 000011        | 068                        | 9135 000002        | 007, 019   | 9201 113757        | 017, 018   |
| 0999 240209        | 035   | 9049 041009        | 040, 043,<br>046, 049,     | 9150 010001        | 025, 026, 027  | 9201 113787        | 027  |
| 0999 240301        | 035   |                    | 052, 055,<br>058, 061, 068 | 9180 310361        | 018  | 9201 113797        | 018, 024   |
| 0999 240302        | 007,  |                    | 034, 036                   | 9190 400100        | 010  | 9201 113817        | 018  |
| 0999 240303        | 007, 019, 035                                   | 9050 040008        | 001, 006                   | 9201 111227        | 039, 042,<br>045, 048,<br>051, 054,<br>057, 060                              | 9201 113847        | 032  |
| 0999 240305        | 035   | 9050 050001        | 068                        |                    | 040, 043,<br>046, 049,<br>052, 055,<br>057, 058, 061                         | 9201 114177        | 037  |
| 0999 240339        | 035   | 9081 200808        | 068                        | 9201 111257        | 040, 043,<br>046, 049,<br>052, 055,<br>057, 058, 061                         | 9201 114217        | 021, 037   |
| 0999 240341        | 035   | 9081 500010        | 068                        |                    | 015  | 9201 114228        | 037  |
| 0999 240384        | 034, 035  | 9081 500051        | 068                        |                    | 015  | 9202 001668        | 039, 042,<br>045, 048,<br>051, 054,<br>057, 060  |
| 0999 240386        | 019   | 9110 011141        | 010                        |                    | 015  |                    | 008  |
| 0999 240387        | 007   | 9120 010100        | 012, 013                   | 9201 111278        | 032  | 9202 001708        | 013, 063, 064  |
| 0999 240389        | 038, 063,<br>064, 065                           | 9120 010150        | 012                        | 9201 112447        | 003, 014, 068  | 9202 002057        | 010, 014,<br>023, 028,<br>029, 030,<br>036, 039,<br>042, 045,<br>048, 051,<br>054, 057,<br>060, 063, 064 |
| 0999 240392        | 007, 017,<br>019, 022,<br>028, 030,<br>032, 035 | 9120 020100        | 012                        | 9201 112457        | 040, 042,<br>043, 046,<br>049, 052,<br>055, 058, 061                         | 9202 002067        | 013, 016,<br>008, 012,<br>013, 026,<br>027, 028,<br>030, 033,<br>035, 042, 054                           |
| 0999 240393        | 020   | 9120 030041        | 009                        | 9201 112467        | 025, 038   |                    |  |
| 0999 240394        | 066, 067  | 9120 030050        | 006                        |                    | 025, 040,<br>043, 046,<br>049, 051,<br>052, 054055,<br>057, 058,<br>060, 061 | 9202 002068        | 013, 016   |
| 0999 240408        | 024, 039,<br>045, 051, 057                      | 9120 030081        | 005, 006                   | 9201 112507        | 015, 017, 023  | 9202 002077        | 008, 012,<br>013, 026,<br>027, 028,<br>030, 033,<br>035, 042, 054  |
| 0999 240412        | 038   | 9120 030082        | 009                        | 9201 112517        | 021  |                    |  |
| 0999 260036        | 017   | 9120 030150        | 027                        | 9201 112867        | 025, 038   |                    |  |
| 0999 310950        | 010   | 9120 030151        | 002                        | 9201 112877        | 025, 040,<br>043, 046,<br>049, 051,<br>052, 054055,<br>057, 058,<br>060, 061 | 9202 002078        | 007, 019   |
| 1001 001162        | 002   | 9120 030160        | 026                        |                    | 023, 024   | 9202 002087        | 010, 011,<br>013, 016,<br>022, 025,<br>032, 033  |
| 6279 140164        | 002   | 9120 030200        | 009                        |                    | 023, 024   |                    |  |
| 9041 100015        | 011, 016  | 9120 030350        | 026, 027                   | 9201 112897        | 023, 024   |                    |  |
| 9041 100020        | 009   | 9120 080110        | 002, 009                   | 9201 112977        | 010  |                    |  |
|                    |   | 9120 080250        | 002                        | 9201 113277        | 005  |                    |  |
|                    |   | 9122 200150        | 002, 010                   | 9201 113317        | 037  |                    |  |
|                    |   | 9126 000075        | 028, 030                   | 9201 113337        | 021, 026   |                    |  |
|                    |   | 9126 000080        | 023, 024                   |                    |  |                    |  |
|                    |   | 9126 000095        | 024                        |                    |  |                    |  |
|                    |   | 9126 000530        | 025                        |                    |  |                    |  |
|                    |   | 9126 200153        | 022, 024, 031              |                    |  |                    |  |
|                    |   | 9126 300160        | 027                        |                    |  |                    |  |
|                    |   | 9127 000001        | 027                        |                    |  |                    |  |

| Part No./Teile-Nr. | Table/Tafel   | Part No./Teile-Nr. | Table/Tafel                                     | Part No./Teile-Nr. | Table/Tafel                             | Part No./Teile-Nr. | Table/Tafel  |
|--------------------|---|--------------------|---|--------------------|---|--------------------|--|
| 9202 002093        | 006, 017  | 9202 002938        | 025   | 9202 101038        | 017                                     | 9203 003647        | 011  |
| 9202 002097        | 008, 009,<br>032, 064   | 9202 002967        | 023   | 9203 001917        | 035                                     | 9203 003653        | 002  |
| 9202 002108        | 009, 036  | 9202 002987        | 031   | 9203 002422        | 014                                     | 9203 003657        | 035, 067   |
| 9202 002127        | 027, 033  | 9202 003017        | 028, 029  | 9203 002425        | 064, 065,<br>066, 067                   | 9203 003662        | 009  |
| 9202 002377        | 042, 054  | 9202 003178        | 010   | 9203 002747        | 013                                     | 9203 003667        | 012, 068   |
| 9202 002378        | 026   | 9202 003187        | 012, 021  | 9203 003027        | 014, 034, 066                           | 9203 003668        | 025  |
| 9202 002473        | 002   | 9202 003297        | 007   | 9203 003028        | 013, 028,<br>029, 065                   | 9203 003677        | 032  |
| 9202 002477        | 021, 023,<br>033, 036, 038  | 9202 003307        | 007, 017, 019                                   | 9203 003028        | 013, 028,<br>029, 065                   | 9203 003697        | 016  |
| 9202 002487        | 021   | 9202 003317        | 018, 023,<br>031, 034                           | 9203 003037        | 025, 040,<br>041, 043,<br>044, 046      | 9203 003707        | 025  |
| 9202 002488        | 002, 006  | 9202 003318        | 034   |                    |   | 203 003727         | 020, 021,<br>028, 030,<br>032, 035   |
| 9202 002497        | 035   | 9202 003327        | 021, 023,<br>027, 034                           |                    |   | 9203 003737        | 033  |
| 9202 002507        | 010   | 9202 003328        | 036   |                    |   | 9203 003757        | 016  |
| 9202 002517        | 004, 013,<br>018, 034,<br>036, 038                                | 9202 003347        | 005, 021,<br>022, 031                           |                    |   | 9203 003957        | 011, 016   |
| 9202 002527        | 024, 026  | 9202 003387        | 026   |                    |   | 9203 003967        | 021, 034   |
| 9202 002537        | 018, 038  | 9202 003407        | 018, 034  | 9203 003042        | 051, 054,<br>057, 060                   | 9203 100002        | 006  |
| 9202 002568        | 038   | 9202 003747        | 005, 021, 031                                   |                    |   | 9203 100631        | 005, 010   |
| 9202 002777        | 022   | 9202 003767        | 034   | 9203 003047        | 065, 067                                | 9203 100632        | 017  |
| 9202 002778        | 011   | 9202 003787        | 008, 018, 021                                   | 9203 003052        | 051, 054, 057                           | 9203 100637        | 029  |
| 9202 002887        | 002, 005,<br>013, 017,<br>018, 019,<br>021, 026,<br>027, 033, 037 | 9202 003807        | 017   | 9203 003057        | 004, 014,<br>025, 065,<br>066, 067, 068 | 9203 112498        | 035  |
| 9202 002897        | 005, 007,<br>009, 011,<br>017, 022,<br>026, 027, 033              | 9202 042077        | 009   |                    |   | 9203 113031        | 068  |
| 9202 002907        | 011, 016,<br>026, 028,<br>030, 031                                | 9202 042078        | 014   | 9203 003067        | 014, 065,<br>066, 067                   | 9203 113672        | 001  |
| 9202 002917        | 005, 027, 031   | 9202 042087        | 040, 043,<br>046, 049,<br>052, 055,<br>058, 061 |                    |   | 9203 113983        | 001  |
| 9202 002927        | 007, 019,<br>022, 024,<br>026, 034                                | 9202 042488        | 008, 009,<br>014, 015                           | 9203 003077        | 014, 027, 067                           | 9203 123687        | 021, 025,<br>028, 029,<br>033, 035,<br>041, 044,<br>047, 050,<br>053, 056,<br>059, 062 |
| 9202 002928        | 012, 036  | 9202 042497        | 011   | 9203 003078        | 063, 065                                |                    |  |
| 9202 002937        | 017, 022  | 9202 042508        | 008   | 9203 003087        | 028, 029                                |                    |  |
|                    |   | 9202 042888        | 011   | 9203 003117        | 034, 066, 067                           |                    |  |
|                    |   | 9202 042897        | 017, 028, 029                                   | 9203 003127        | 007, 019                                | 9203 143007        | 067  |
|                    |   | 9202 042907        | 020   | 9203 003157        | 038                                     | 9203 211830        | 012  |
|                    |   | 9202 042908        | 011   | 9203 003167        | 020, 021,<br>028, 030,<br>032, 035, 064 | 9203 312411        | 002, 009   |
|                    |   | 9202 043297        | 031   |                    |   | 9203 312440        | 041, 044,<br>047, 050  |
|                    |   | 9202 100558        | 022, 028, 029                                   | 9203 003354        | 012                                     | 9203 313047        | 004, 023, 034  |
|                    |   | 9202 100977        | 031   | 9203 003621        | 005                                     | 9203 313052        | 012, 066, 067  |
|                    |   | 9202 101013        | 034   | 9203 003627        | 010, 011                                | 9203 313057        | 039  |
|                    |   |                    |   | 9203 003637        | 021                                     | 9203 313067        | 038  |
|                    |   |                    |   | 9203 003638        | 028, 029, 030                           |                    |  |

| Part No./Teile-Nr. | Table/Tafel  | Part No./Teile-Nr. | Table/Tafel                | Part No./Teile-Nr. | Table/Tafel   | Part No./Teile-Nr. | Table/Tafel   |
|--------------------|--|--------------------|----------------------------|--------------------|---|--------------------|---|
| 9203 313077        | 003, 009,<br>039, 051  | 9204 201668        | 001, 006,<br>026, 027      | 9205 142535        | 009   | 9231 110058        | 006, 022  |
| 9203 313107        | 034  | 9204 201677        | 001                        | 9205 161558        | 009   | 9231 110107        | 022, 025,<br>033, 051,  |
| 9203 313647        | 028, 030,<br>041, 044,<br>047, 050<br>053, 056,<br>059, 062                    | 9204 201678        | 025                        | 9205 162168        | 004, 028, 029   |                    | 054, 057, 060   |
|                    |  | 9204 201698        | 001, 006                   | 9205 162188        | 024   | 9231 110127        | 007, 018,<br>019, 021,<br>024, 031,<br>033, 037                   |
| 9203 313652        | 004, 014   | 9204 201827        | 005, 006, 036              | 9206 100637        | 001   |                    |   |
| 9203 313657        | 014, 017,<br>025, 029, 065   | 9204 201958        | 006                        | 9206 200067        | 034   | 9231 110137        | 008, 018,<br>021, 022,<br>024, 026,<br>027, 028,<br>029, 031, 038 |
| 9203 313658        | 014, 064   | 9204 201977        | 002                        | 9210 023377        | 024   |                    |   |
| 9203 313667        | 045, 048,<br>051, 054,<br>057, 060   | 9204 202037        | 037                        | 9217 000157        | 004   |                    |   |
|                    |  | 9204 202037        | 002                        | 9217 300518        | 001   |                    |   |
|                    |  | 9204 202268        | 002                        | 9217 300528        | 001   |                    |   |
|                    |  | 9204 202328        | 025                        | 9225 201750        | 004, 065,<br>066, 067   |                    |   |
|                    |  | 9204 301357        | 021                        | 9231 000347        | 013, 014,<br>065, 066   | 9231 110147        | 017, 032  |
|                    |  | 9205 011621        | 028                        | 9231 000367        | 009, 014,<br>015, 017,<br>064, 065,<br>066, 067   | 9231 110197        | 033   |
|                    |  | 9205 021818        | 039                        |                    |   | 9234 000057        | 038   |
|                    |  | 9205 023620        | 012                        |                    |   | 9234 000067        | 025   |
| 9203 313677        | 039, 042,<br>045, 048,<br>051, 054, 060  | 9205 023920        | 011, 023                   |                    |   | 9234 000077        | 010   |
|                    |  | 9205 023940        | 013                        |                    |   | 9234 000087        | 025   |
|                    |  | 9205 024868        | 010                        | 9231 000377        | 021, 024, 051   | 9234 000107        | 005   |
| 9203 313697        | 017, 032,<br>039, 040,<br>043, 045,<br>046, 048,<br>049, 052,<br>055, 058, 061 | 9205 101528        | 009                        | 9231 000378        | 014   | 9255 110050        | 015   |
|                    |  | 9205 101568        | 012                        | 9231 000387        | 021, 022, 038   | 9301 022608        | 068   |
|                    |  | 9205 101848        | 025                        | 9231 000397        | 018, 024,<br>028, 029, 032  | 9301 101011        | 068   |
|                    |  | 9205 102158        | 013, 028, 030              |                    |   | 9301 101551        | 039, 042,<br>045, 048, 060  |
|                    |  | 9205 102168        | 001, 004,<br>009, 014, 027 | 9231 000407        | 025, 031  |                    |   |
| 9203 313707        | 015  | 9205 102178        | 004, 009                   | 9231 000680        | 015   | 9301 101611        | 039, 042,<br>045, 048,<br>051, 054, 057                           |
| 9203 313717        | 014  | 9205 102473        | 002, 007, 019              | 9231 011147        | 018   |                    |   |
| 9203 313957        | 066, 067   | 9205 102478        | 002, 009, 010              | 9231 110037        | 025, 039, 051   |                    |   |
| 9203 313967        | 016, 023,<br>034, 038  | 9205 102488        | 009, 010,<br>028, 030      | 9231 110057        | 007, 014,<br>015, 016,<br>019, 025,<br>031, 033,<br>034, 036,<br>039, 040,<br>042, 043, | 9301 101871        | 009   |
| 9203 313977        | 033  | 9205 102498        | 010                        |                    |   | 9301 101891        | 040, 043,<br>046, 049,<br>052, 055,<br>058, 061                   |
| 9203 313997        | 026, 051,<br>054, 060  | 9205 102558        | 026                        |                    |   |                    |   |
| 9203 314317        | 031  | 9205 102608        | 007, 019                   |                    |   |                    |   |
| 9203 314637        | 028, 029   | 9205 102788        | 002, 027                   |                    |   | 9301 101911        | 030, 031,<br>051, 054,<br>057, 060                                |
| 9204 001257        | 065, 066, 067  | 9205 102798        | 008, 009,<br>010, 015      |                    |   |                    |   |
| 9204 001258        | 063  | 9205 102808        | 002                        |                    |   |                    |   |
| 9204 002397        | 025  | 9205 102878        | 017, 036                   |                    |   | 9301 102153        | 017   |
| 9204 201648        | 001, 002,<br>005, 006  | 9205 102927        | 025, 028, 029              |                    |   | 9301 102203        | 023, 039,<br>042, 045, 048  |
| 9204 201658        | 001, 005   | 9205 122488        | 009, 010                   |                    |   |                    |   |
|                    |  | 9205 122498        | 010, 028, 030              |                    |   |                    |   |
|                    |  |                    |                            |                    | 060, 061, 064   |                    |   |

| Part No./Teile-Nr. | Table/Tafel   | Part No./Teile-Nr. | Table/Tafel   | Part No./Teile-Nr. | Table/Tafel  | Part No./Teile-Nr. | Table/Tafel  |
|--------------------|---|--------------------|---|--------------------|--|--------------------|--|
| 9301 102243        | 018, 028,<br>029, 063,<br>064, 065,<br>066, 067   |                    | 032, 034,<br>035, 036,<br>039, 040,<br>042, 043,  | 9330 900077        | 006, 034,<br>041, 044,<br>047, 050,<br>065, 066, 067 | 9357 000060        | 064, 065,<br>066, 067,<br>003, 011,<br>012, 013, 034 |
| 9301 102511        | 022, 027  |                    | 045, 046,   | 9330 900097        | 010, 013,<br>016, 032,<br>033, 034,                  | 9357 000070        | 006, 010,<br>011, 015,<br>065, 066, 067              |
| 9301 102531        | 007, 019  |                    | 048, 049,   |                    |  |                    |  |
| 9301 102561        | 027   |                    | 051, 052,   |                    |  |                    |  |
| 9301 103201        | 036   |                    | 054, 055,   |                    |  | 9357 000080        | 005  |
| 9301 103801        | 034   |                    | 057, 058,   |                    |  | 9357 000090        | 008, 010,<br>015, 018, 024                           |
| 9301 951048        | 028   |                    | 060, 061,<br>064, 067   |                    |  | 9357 000110        | 033  |
| 9305 000830        | 014   |                    | 001, 022, 025   | 9330 900098        | 006  | 9357 000150        | 031  |
| 9305 000840        | 023, 024  | 9330 000088        | 004, 010,   | 9330 900107        | 033  | 9357 200052        | 028, 029   |
| 9305 001640        | 015   | 9330 000097        | 018, 022,<br>023, 024,<br>025, 026,<br>033, 034,<br>035, 036,<br>038, 054                           | 9330 900117        | 018, 025,<br>026, 033,<br>037, 038                   | 9357 200056        | 033  |
| 9330 000067        | 007, 014,<br>015, 019,<br>027, 028,<br>029, 034,<br>038, 039,<br>040, 041,<br>042, 043,<br>044, 045,<br>046, 047,<br>048, 049,<br>050, 051,<br>052, 053,<br>054, 055,<br>056, 057,<br>058, 059,<br>060, 061,<br>062, 065,<br>066, 067 |                    | 006   | 9330 900127        | 017, 018, 032  | 9357 200102        | 025  |
|                    |   | 9330 000098        | 005, 007,<br>017, 018,<br>019, 020,<br>021, 022,<br>023, 024,<br>026, 027,<br>028, 029,<br>033, 034 | 9332 500130        | 015, 051,<br>054, 057, 060                           | 9357 200106        | 033  |
|                    |   | 9330 000107        | 005, 007,<br>017, 018,<br>019, 020,<br>021, 022,<br>023, 024,<br>026, 027,<br>028, 029,<br>033, 034 | 9333 000090        | 006  | 9357 200109        | 063, 065,<br>066, 067                                |
|                    |   |                    | 005, 007,<br>017, 018,<br>019, 020,<br>021, 022,<br>023, 024,<br>026, 027,<br>028, 029,<br>033, 034 | 9334 000090        | 006  | 9380 510200        | 018  |
|                    |   |                    | 005, 007,<br>017, 018,<br>019, 020,<br>021, 022,<br>023, 024,<br>026, 027,<br>028, 029,<br>033, 034 | 9334 001170        | 028, 030   | 9400 000100        | 025  |
|                    |   |                    | 005, 007,<br>017, 018,<br>019, 020,<br>021, 022,<br>023, 024,<br>026, 027,<br>028, 029,<br>033, 034 | 9334 002190        | 007, 019, 027  | 9700 000025        | 014  |
|                    |   |                    | 005, 007,<br>018, 019,<br>026, 028,<br>029, 031,<br>034, 037  | 9334 102110        | 003  | 9700 001260        | 031  |
|                    |   |                    | 005, 007,<br>018, 019,<br>026, 028,<br>029, 031,<br>034, 037  | 9334 102270        | 035  | 9700 100022        | 038  |
|                    |   |                    | 005, 007,<br>018, 019,<br>026, 028,<br>029, 031,<br>034, 037  | 9351 000087        | 018  | 9700 101100        | 007, 019   |
|                    |   |                    | 005, 007,<br>018, 019,<br>026, 028,<br>029, 031,<br>034, 037  | 9351 000337        | 034  | 9700 101200        | 021  |
|                    |   |                    | 005, 007,<br>018, 019,<br>026, 028,<br>029, 031,<br>034, 037  | 9351 000337        | 034  | 9700 102340        | 004  |
|                    |   |                    | 005, 007,<br>018, 019,<br>026, 028,<br>029, 031,<br>034, 037  | 9352 000150        | 002  | 9700 200840        | 031  |
|                    |   |                    | 005, 007,<br>018, 019,<br>026, 028,<br>029, 031,<br>034, 037  | 9352 000200        | 002, 009   | 9700 212004        | 029  |
|                    |   | 9330 000127        | 005, 007,<br>018, 019,<br>026, 028,<br>029, 031,<br>034, 037  | 9352 000330        | 026  | 9700 212008        | 021  |
|                    |   |                    | 005, 007,<br>018, 019,<br>026, 028,<br>029, 031,<br>034, 037  | 9352 000350        | 026, 027   | 9700 212009        | 021  |
|                    |   |                    | 005, 007,<br>018, 019,<br>026, 028,<br>029, 031,<br>034, 037  | 9352 500070        | 002, 010   | 9700 212010        | 024  |
|                    |   |                    | 005, 007,<br>018, 019,<br>026, 028,<br>029, 031,<br>034, 037  | 9353 000198        | 013  | 9700 212011        | 026  |
|                    |   |                    | 005, 007,<br>018, 019,<br>026, 028,<br>029, 031,<br>034, 037  | 9353 000490        | 026  | 9700 220005        | 022  |
|                    |   |                    | 005, 007,<br>018, 019,<br>026, 028,<br>029, 031,<br>034, 037  | 9354 500150        | 033  | 9700 900101        | 021  |
|                    |   | 9330 000137        | 017, 018,<br>021, 031,<br>032, 034  | 9357 000040        | 039, 042,<br>045, 048,<br>051, 054, 057              | 9700 900201        | 026  |
|                    |   |                    | 007, 019  |                    |  | 9700 900501        | 021  |
|                    |   | 9330 000147        | 007, 019  |                    |  | 9700 900502        | 031  |
|                    |   | 9330 200097        | 009, 063  | 9357 000050        | 004, 013,<br>014, 016,                               | 9700 900504        | 022  |
|                    |   | 9330 200098        | 005, 006, 025   |                    |  | 9700 900505        | 022  |
|                    |   | 9330 400017        | 011   |                    |  | 9700 900506        | 022  |



| Part No./Teile-Nr. | Table/Tafel   | Part No./Teile-Nr. | Table/Tafel   | Part No./Teile-Nr. | Table/Tafel   | Part No./Teile-Nr. | Table/Tafel   |
|--------------------|---------------|--------------------|---------------|--------------------|---------------|--------------------|---------------|
| 9706 000300        | 018           |                    | 044, 045,     | 9790 201000        | 004, 008,     | 9800 580008        | 027           |
| 9710 001010        | 027           |                    | 046, 047,     |                    | 010, 014,     | 9805 791103        | 036           |
| 9710 041001        | 035           |                    | 048, 049,     |                    | 015, 019,     | 9810 920003        | 036           |
| 9710 043020        | 007, 019      |                    | 050, 051,     |                    | 022, 023,     | 9810 920004        | 036           |
| 9710 061202        | 020, 021,     |                    | 052, 055,     |                    | 025, 028,     | 9815 101001        | 036           |
|                    | 032, 035      |                    | 057, 058,     |                    | 030, 039,     | 9815 101002        | 036           |
| 9710 061212        | 021, 065,     |                    | 060, 061,     |                    | 040, 042,     | 9815 101025        | 036           |
|                    | 066, 067      |                    | 066, 067      |                    | 043, 045,     | 9815 101075        | 036           |
| 9710 061221        | 028, 030      | 9731 006004        | 007, 019, 020 |                    | 046, 048,     | 9815 101076        | 036           |
| 9710 061222        | 028, 030      | 9731 007035        | 006           |                    | 049, 051,     | 9815 555001        | 026           |
| 9710 900001        | 035           | 9740 003804        | 012           |                    | 052, 054,     | 9815 555024        | 007, 019      |
| 9710 900012        | 020, 021,     | 9742 300100        | 023, 024      |                    | 055, 057,     | 9815 580006        | 027           |
|                    | 028, 030,     | 9745 000220        | 025           |                    | 058, 060,     | 9815 710100        | 008, 025      |
|                    | 032, 035      | 9750 806010        | 028           |                    | 061, 066, 067 | 9815 740001        | 001           |
| 9710 900013        | 020, 021,     | 9750 806011        | 030           | 9790 201001        | 017, 024, 035 | 9815 920012        | 027, 028, 029 |
|                    | 028, 030,     | 9750 806014        | 035           | 9790 202000        | 039, 042,     | 9815 925002        | 006           |
|                    | 032, 035      | 9751 000008        | 021           |                    | 045, 048,     | 9820 110001        | 001           |
| 9710 900021        | 035           | 9751 000009        | 021           |                    | 051, 054,     | 9822 510001        | 036           |
| 9710 900023        | 035           | 9751 000010        | 021           |                    | 057, 060      | 9822 510011        | 038           |
| 9710 920011        | 028, 029,     | 9751 000011        | 028, 030      | 9790 210010        | 038           | 9822 510012        | 036           |
|                    | 039, 045,     | 9751 000012        | 032           | 9790 210050        | 034           | 9822 633000        | 036           |
|                    | 051, 057      | 9751 000013        | 032           | 9790 211040        | 041, 044,     | 9822 642024        | 036           |
| 9710 920012        | 004, 021,     | 9751 000014        | 035           |                    | 047, 050      | 9825 810302        | 036           |
|                    | 026, 028,     | 9751 000015        | 020           | 9790 316010        | 009           | 9825 810403        | 068           |
|                    | 029, 031,     | 9780 806001        | 035           | 9792 001030        | 026, 031, 038 | 9825 810411        | 068           |
|                    | 066, 067      | 9790 020010        | 041, 044,     | 9792 001040        | 007, 019, 024 | 9825 810413        | 068           |
| 9710 920013        | 026           |                    | 047, 050      | 9792 051010        | 007, 017, 019 | 9825 810415        | 068           |
| 9710 920022        | 007, 019, 024 | 9790 060101        | 020, 021, 035 | 9792 071010        | 035           | 9825 810418        | 068           |
| 9710 982005        | 007, 019,     | 9790 060102        | 021, 035      | 9792 102000        | 019, 020,     | 9830 402011        | 036           |
|                    | 020, 021,     | 9790 101010        | 024, 038, 065 |                    | 021, 035      | 9830 402032        | 036           |
|                    | 028, 030,     | 9790 102010        | 019           | 9792 102010        | 007, 035      | 9830 501003        | 021           |
|                    | 032, 035      | 9790 200000        | 019, 027,     | 9792 301020        | 007, 035      | 9830 501025        | 020, 021,     |
| 9731 001035        | 001, 005      |                    | 034, 035,     | 9792 301140        | 008, 019      |                    | 028, 030,     |
| 9731 001045        | 001, 002, 006 |                    | 040, 043,     | 9800 130011 R      | 018           |                    | 032, 035      |
| 9731 002001        | 035           |                    | 046, 049,     | 9800 327003        | 018           | 9830 503012        | 039, 042,     |
| 9731 005004        | 007, 017,     |                    | 052, 055,     | 9800 331015        | 018           |                    | 045, 048,     |
|                    | 019, 020,     |                    | 058, 061,     | 9800 551000        | 036           |                    | 051, 054,     |
|                    | 025, 035,     |                    | 063, 065,     | 9800 551001        | 036           |                    | 057, 060      |
|                    | 039, 040,     |                    | 066, 067      | 9800 551004        | 036           | 9830 515027        | 001           |
|                    | 041, 043,     | 9790 200001        | 004, 007      | 9800 560002        | 028, 030      | 9835 001012        | 036           |

| Part No./Teile-Nr. | Table/Tafel  | Part No./Teile-Nr. | Table/Tafel | Part No./Teile-Nr. | Table/Tafel | Part No./Teile-Nr. | Table/Tafel |
|--------------------|--|--------------------|-------------|--------------------|-------------|--------------------|-------------|
| 9835 501004        | 036  | MG43 002510        | 037         |                    |             |                    |             |
| 9840 120002        | 016  | MG43 007897        | 018         |                    |             |                    |             |
| 9840 120025        | 001, 014,<br>026, 027  | MG50 001356        | 017         |                    |             |                    |             |
| 9840 120026        | 002, 005,<br>006, 016,<br>032, 041,<br>044, 047,<br>050, 067 | N900 002275        | 007, 019    |                    |             |                    |             |
|                    |  | P121 000091        | 035         |                    |             |                    |             |
|                    |  | Z100 011022        | 002         |                    |             |                    |             |
|                    |  | Z112 000292        | 011         |                    |             |                    |             |
| 9840 120027        | 025  |                    |             |                    |             |                    |             |
| 9840 120028        | 064, 066, 067  |                    |             |                    |             |                    |             |
| 9840 120030        | 025  |                    |             |                    |             |                    |             |
| 9840 120033        | 016  |                    |             |                    |             |                    |             |
| 9840 120050        | 025  |                    |             |                    |             |                    |             |
| 9840 120100        | 024  |                    |             |                    |             |                    |             |
| 9840 120203        | 011  |                    |             |                    |             |                    |             |
| 9840 120233        | 033  |                    |             |                    |             |                    |             |
| 9840 121002        | 016  |                    |             |                    |             |                    |             |
| 9840 133004        | 036  |                    |             |                    |             |                    |             |
| 9840 135005        | 035  |                    |             |                    |             |                    |             |
| 9840 136002        | 014  |                    |             |                    |             |                    |             |
| 9840 302003        | 025  |                    |             |                    |             |                    |             |
| 9840 502007        | 036  |                    |             |                    |             |                    |             |
| 9840 710004        | 035  |                    |             |                    |             |                    |             |
| 9840 710013        | 035  |                    |             |                    |             |                    |             |
| 9840 960111        | 035  |                    |             |                    |             |                    |             |
| 9850 001016        | 021, 035   |                    |             |                    |             |                    |             |
| 9850 001024        | 036  |                    |             |                    |             |                    |             |
| 9850 805006        | 021, 035   |                    |             |                    |             |                    |             |
| 9850 806003        | 028, 030, 032  |                    |             |                    |             |                    |             |
| 9850 806006        | 020  |                    |             |                    |             |                    |             |
| 9870 271003        | 006  |                    |             |                    |             |                    |             |
| 9870 806011        | 025  |                    |             |                    |             |                    |             |
| 9870 806015        | 041, 044,<br>047, 050  |                    |             |                    |             |                    |             |
| 9870 806018        | 001  |                    |             |                    |             |                    |             |
| 9870 806022        | 036  |                    |             |                    |             |                    |             |
| 9880 806001        | 036  |                    |             |                    |             |                    |             |
| 9880 806003        | 014  |                    |             |                    |             |                    |             |
| MG41 004118        | 018  |                    |             |                    |             |                    |             |



# Näheinrichtungen

# 806

# Sewing equipment

Ausgabe  
Edition

06.97

Blatt  
Page 1

Fortsetzung Blatt  
Continued page 2

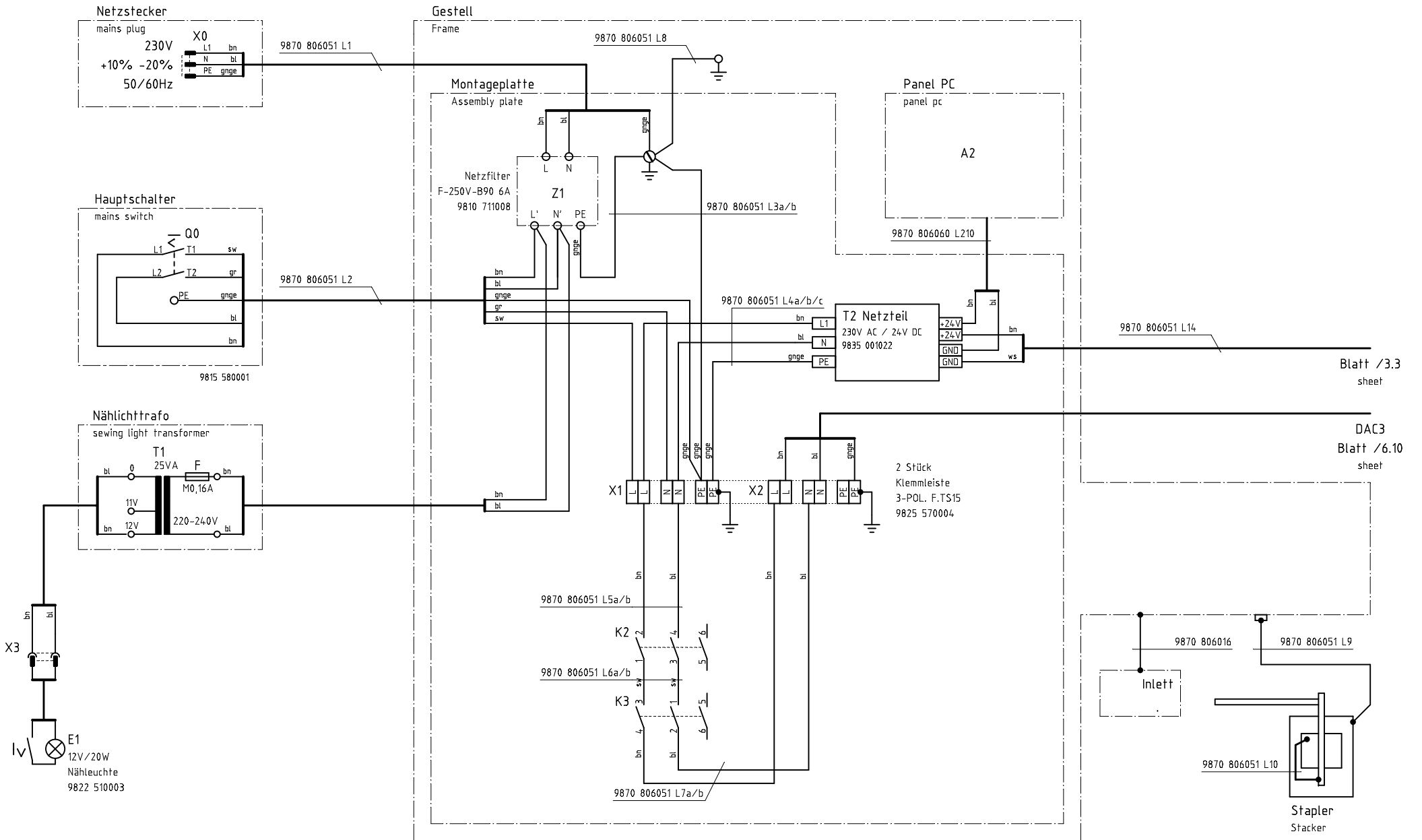
| 0805 E00001...5<br>E-Nr.<br>E-No.<br>Abb.-Nr.<br>Fig.No. | Für Unterklasse / For Subclass<br>Verwendungszweck / Use  | Nadelhalter<br>Needle holder      |   |   |   | Stichplatte<br>Throat plate          |                            |                               |                                 | Presserfuß?<br>Presser foot    |  | Greifer<br>Hook            |  |  |                             |                             |                  |
|--|---|-----------------------------------|---|---|---|--------------------------------------|----------------------------|-------------------------------|---------------------------------|--------------------------------|--|----------------------------|--|--|-----------------------------|-----------------------------|------------------|
|  |   | Nadelabstand / Needle distance mm | Nadelschutzhalter / Needle prot. holder * | Nadelhalter links / Needle holder, left | Nadelhalter rechts / Needle holder, right | Stichlochgröße / Stitch hole size mm | Stichplatte / Throat plate | Schieber, links / Slide, left | Schieber, rechts / Slide, right | Fadenspannung / Thread tension | Mittelteil-Halter / Position bracket * | Druckerfuß / Foot, pressed | Hebelgelenkfuß / Foot, articulated, with lever | Nadelschutz / Needle guard (1300 HV) * | Fadenführung / Thread guide | Nadelsystem / Needle system |                  |
| E1   | -111<br>Naheinrichtung für mittelschwere bis schwere<br>Waschestoffe.<br>Max. Stichlänge 3,5 mm<br><br>Sewing equipment for medium to heavy<br>shirt material<br>Max. stitch length 3,5 mm                            |                                   | 0467 200420                               |   |   | o 1,7                                | 0467 200100                |                               |                                 | 0467 110274                    | 0467 200150                            |                            | 0467 220283                                    |  | 0467 200410                 | 0467 110184                 | 134 / 80         |
| E2   | -111<br>Naheinrichtung für leichte bis mittelschwere<br>Arbeitsbekleidung und Sakkostoffe<br>Max. Stichlänge 3,5 mm<br><br>Sewing equipment for light to medium<br>work wear and jackets<br>Max. stitch length 3,5 mm |                                   | 0467 200420                               |   |   | 2 x 2,5                              | 0467 200040                |                               |                                 | 0467 110034                    | 0467 200150                            |                            | 0467 220283                                    |  | 0467 200410                 | 0467 110184                 | 134 / 110        |
| E3   | -111<br>Naheinrichtung für Cord und Frottee-Stoffe<br>Max. Stichlänge 3,5 mm<br><br>Sewing equipment for corduroy and<br>terry cloth material<br>Max. stitch length 3,5 mm  |                                   | 0467 200420                               |   |   | 2 x 2,5                              | 0467 200040                |                               |                                 | 0467 110034                    | 0467 200150                            |                            | 0467 220283                                    |  | 0467 200410                 | 0467 110204                 | 134-35CR / 130   |
| E4   | - 111<br>Naheinrichtung für schwere Arbeitsbekleidung<br>und Demin<br>Max. Stichlänge 3,5 mm<br><br>Sewing equipment for heavy work wear and<br>denim<br>Max. stitch length 3,5 mm                                    |                                   | 0467 200420                               |   |   | 2 x 2,5                              | 0467 200040                |                               |                                 | 0467 110034                    | 0467 200150                            |                            | 0467 220070                                    |  | 0467 200410                 | 0467 110204                 | 134 CR / 130     |
| E5   | - 111<br>Naheinrichtung für schweren Denim und Cord<br>Max. Stichlänge 3,5 mm<br><br>Sewing equipment for heavy denim and corduroy<br>Max. stitch length 3,5 mm   |                                   | 0467 200420                               |   |   | o 2,6                                | 0467 200400                |                               |                                 | 0467 110264                    | 0467 200150                            |                            | 0467 220070                                    |  | 0467 200410                 | 0467 110204                 | 134 SERV 7 / 140 |

\* = Teil wiederholt sich in der E1 bis E5 / Part repeated in the E1 to E5



| E-Nr.<br>E-No. | Für Unterklasse / For Subclass  | Nadelhalter<br>Needle holder      |   | Stichplatte<br>Throat plate             |   | Presserfuß?<br>Presser foot          |                            | Greifer<br>Hook               |                                 |                                  |   |                              |  |                                      |                             |                             |                 |
|----------------|---|-----------------------------------|---|---|---|--------------------------------------|----------------------------|-------------------------------|---------------------------------|----------------------------------|---|------------------------------|--|--------------------------------------|-----------------------------|-----------------------------|-----------------|
|                |   | Nadelabstand / Needle distance mm | Nadelschutzhalter / Needle prot. holder | Nadelhalter links / Needle holder, left | Nadelhalter rechts / Needle holder, right | Stichlochgröße / Stitch hole size mm | Stichplatte / Throat plate | Schieber, links / Slide, left | Schieber, rechts / Slide, right | Fadenspannung / Thread tension * | Mittellteil-Halter / Position bracket * | Druckerfuß / Foot, pressed * | Hebelgelenkfuß / Foot, articulated, with lever | Nadelschutz / Needle guard (1300 HV) | Fadenführung / Thread guide | Nadelsystem / Needle system |                 |
| E6             | - 121<br>Naheinrichtung für leichte Waschestoffe und Wirkware<br>Max. Stichlänge 4 mm<br><br>Sewing equipment for light shirt materials and knitwear<br>Max. stitch length 4 mm   |                                   |   |   |   | o 1,3                                | 0271 200020                |                               |                                 | 0271 000236                      |   |                              |  | 0396 221123                          |                             |                             | 134 / 70        |
| E7             | - 121<br>Naheinrichtung für mittelschwere bis schwere Waschestoffe<br>Max. Stichlänge 4 mm<br><br>Sewing equipment for medium to heavy shirt materials<br>Max. stitch length 4 mm |                                   |   |   |   | o 1,6                                | 0271 200010                |                               |                                 | 0271 000236                      |   |                              |  | 0396 221123                          |                             |                             | 134 SERV 7 / 80 |
| E8             | - 121<br>Naheinrichtung für leichte bis mittelschwere Arbeitsbekleidung<br>Max. Stichlänge 4 mm<br><br>Sewing equipment for light to medium work wear<br>Max. stitch length 4 mm  |                                   |   |   |   | o 2,0                                | 0271 200030                |                               |                                 | 0271 000236                      |   |                              |  | 0396 221123                          |                             |                             | 134 / 100       |

\* = Teil wiederholt sich in der E6 bis E8 / Part repeated in the E6 to E8



Blatt /3.3 sheet

DAC3 Blatt /6.10 sheet

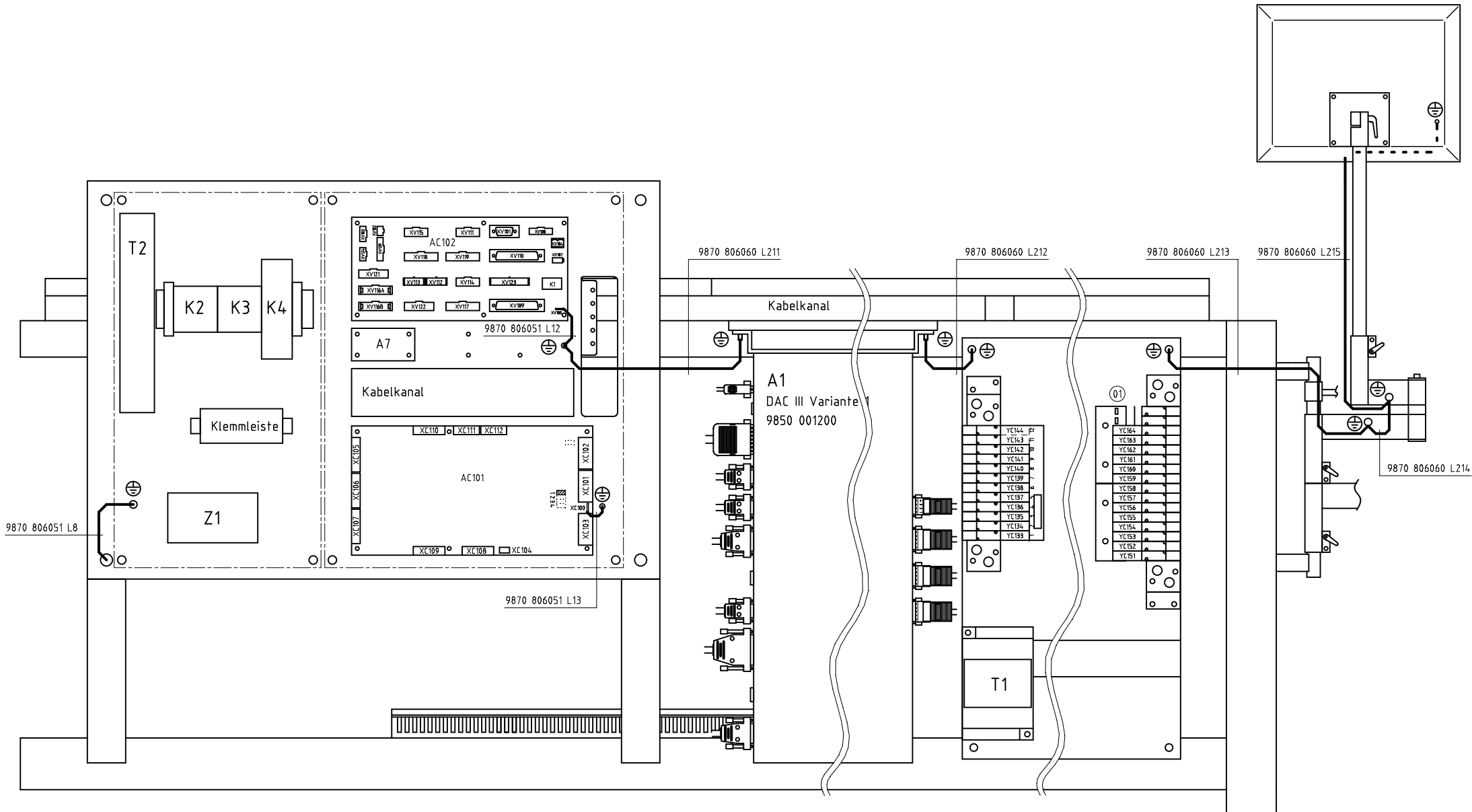
|   |      |            |        |            |  |              |                |               |        |
|---|------|------------|--------|------------|--|--------------|----------------|---------------|--------|
| c |      |            | Datum  | 2012-08-24 |  | Teilefamilie | 806N-111/ -121 | Bauschaltplan | Blatt  |
| b |      |            | Bearb. | Isaak      |  |              |                |               |        |
| a | 01.0 | 2013-09-26 | Isaak  | Geprüft    |  | Freigabe     | 0016/12        | 9890 806050 B | 1 / 19 |
|   | Änd. | Datum      | Name   | Norm       |  |              |                |               |        |

power supply voltage distribution board

9890 806050 B

# Ansicht von hinten

rear view



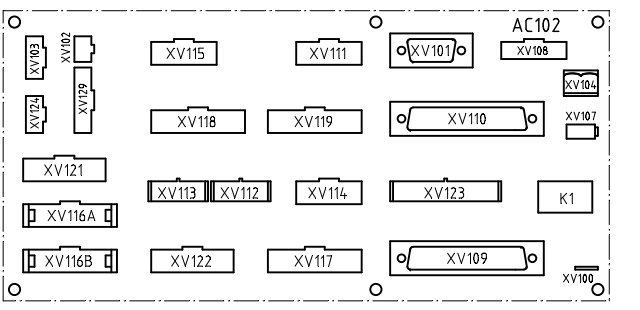
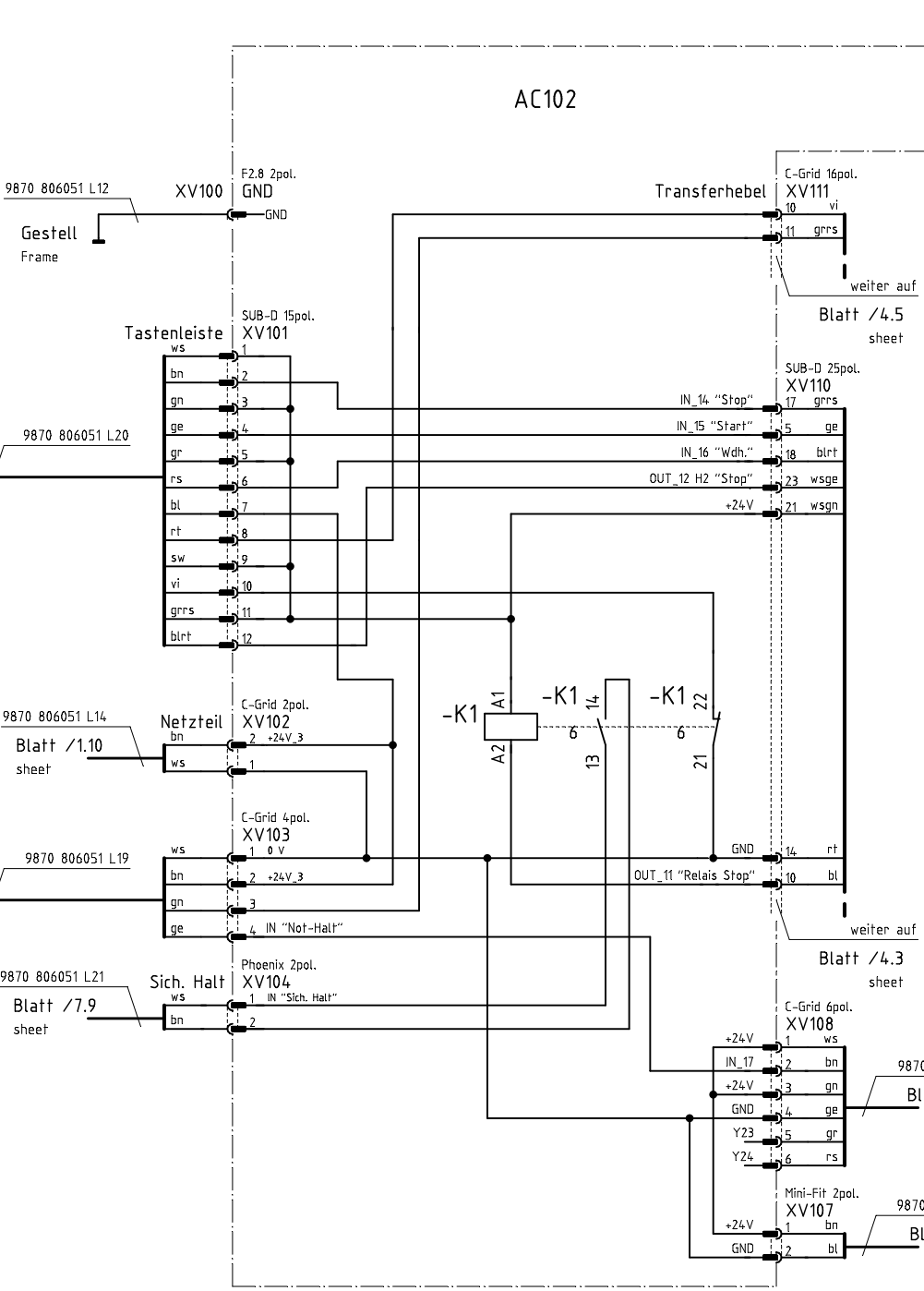
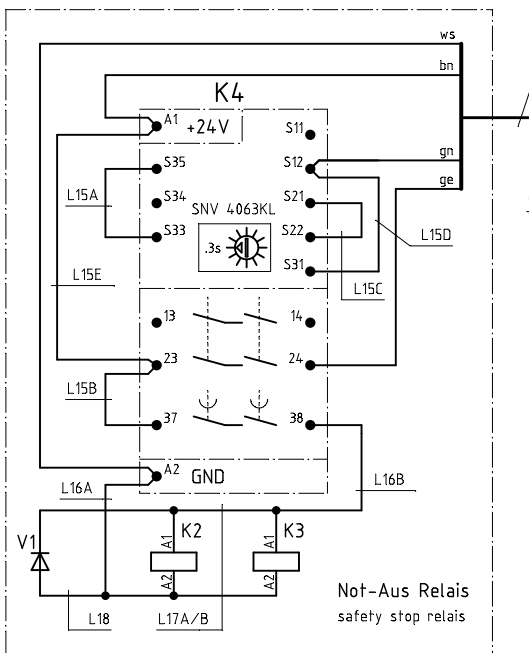
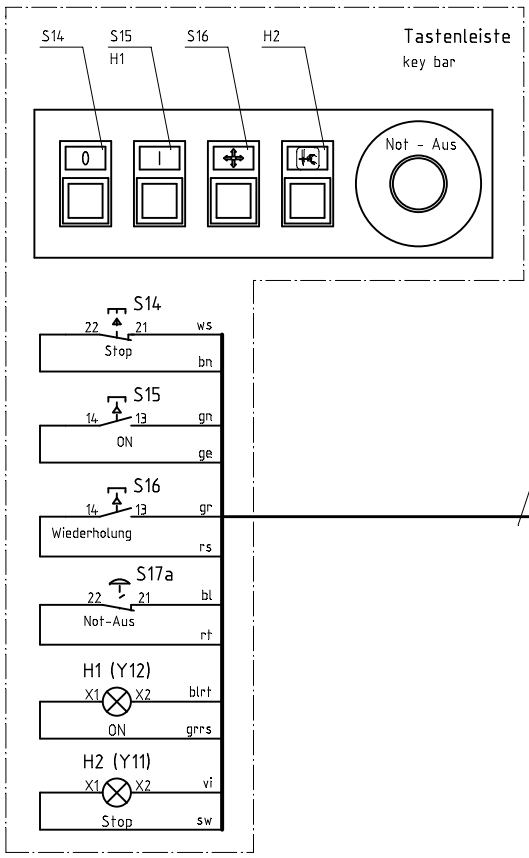
|   |      |            |        |            |
|---|------|------------|--------|------------|
| c |      |            | Datum  | 2012-08-24 |
| b |      |            | Bearb. | Isaak      |
| a | 01.0 | 2013-09-26 | Isaak  | Geprüft    |
|   | Änd. | Datum      | Name   | Norm       |



|             |                |
|-------------|----------------|
| Teilfamilie | 806N-111/ -121 |
| Freigabe    | 0016/12        |

806N-111/ -121  
Übersicht Steuerungskomponenten  
overview control components

Bauschaltplan  
9890 806050 B



|      |       |            |        |            |
|------|-------|------------|--------|------------|
| c    |       |            | Datum  | 2012-08-24 |
| b    |       |            | Bearb. | Isaak      |
| a    | 01.0  | 2013-09-26 | Isaak  | Geprüft    |
| Änd. | Datum | Name       | Norm   |            |



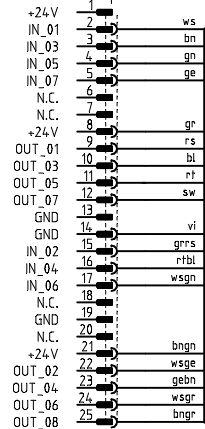
|              |                |
|--------------|----------------|
| Teilefamilie | 806N-111/ -121 |
| Freigabe     | 0016/12        |

806N-111/ -121  
Sicherer Halt und Not-Aus  
Safety stop

|                      |  |              |
|----------------------|--|--------------|
| <b>Bauschaltplan</b> |  |              |
| 9890 806050 B        |  | Blatt 3 / 19 |

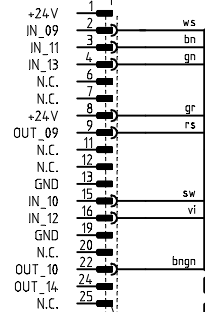
AC102

SUB-D 25pol.  
IN/OUT 1-8 XV109



9870 806051 L27  
Blatt /7.4  
sheet

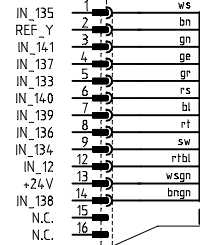
SUB-D 25pol.  
IN/OUT 9-16 XV110



9870 806051 L26  
Blatt /7.4  
sheet

weiter auf  
Blatt /3.7  
sheet

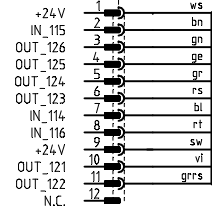
C-Grid 16pol.  
Transferhebel XV111



9870 8006051 L28  
Blatt /14.1  
sheet

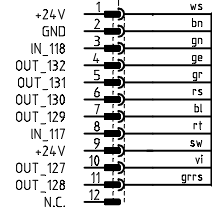
weiter auf  
Blatt /3.7  
sheet

Micro-Fit 12pol.  
Stapler XV112



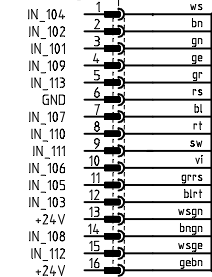
9870 806051 L29  
Blatt /13.1  
sheet

Micro-Fit 12pol.  
Ausroller XV113



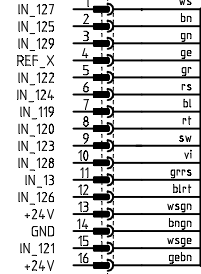
9870 806051 L30  
Blatt /13.1  
sheet

C-Grid 16pol.  
Umbug IN XV114



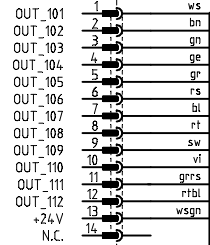
9870 806051 L31  
Blatt /12.1  
sheet

C-Grid 16pol.  
Gestell XV115



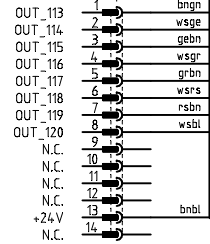
9870 806051 L32  
Blatt /11.1  
sheet

C-Grid 14pol.  
Umbug OUT\_1 XV116A



9870 806051 L33  
Blatt /12.1  
sheet

C-Grid 14pol.  
Umbug OUT\_2 XV116B



|   |      |            |        |            |
|---|------|------------|--------|------------|
| c |      |            | Datum  | 2012-08-24 |
| b |      |            | Bearb. | Isaak      |
| a | 01.0 | 2013-09-26 | Isaak  | Geprüft    |
|   | Änd. | Datum      | Name   | Norm       |



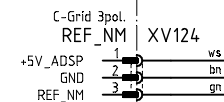
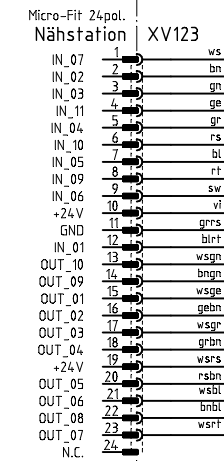
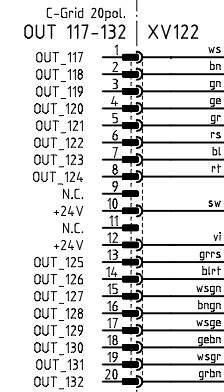
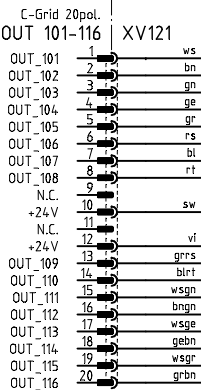
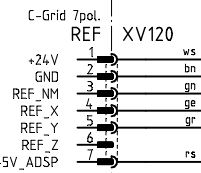
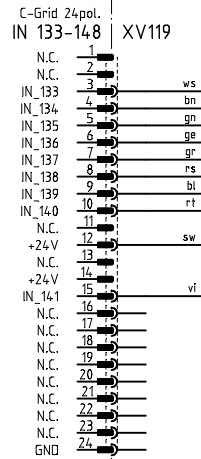
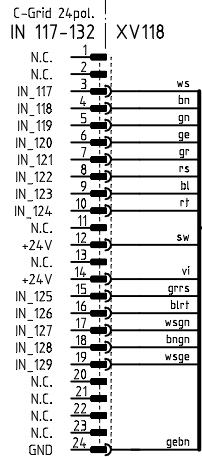
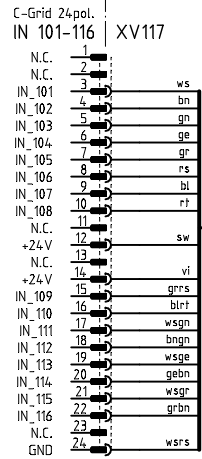
|              |                |
|--------------|----------------|
| Teilefamilie | 806N-111/ -121 |
| Freigabe     | 0016/12        |


806N-111/ -121  
IN/OUT Verteilerplatine  
I/O board

Bauschaltplan  
9890 806050 B



AC102



|   |      |            |       |            |   |  |                                |                 |
|---|------|------------|-------|------------|---|--|--------------------------------|-----------------|
| c |      |            | Datum | 2012-08-24 |  | Teilefamilie<br>806N-111/ -121<br>IN/OUT Verteilerplatine<br>I/O board | Bauschaltplan<br>9890 806050 B | Blatt<br>5 / 19 |
| b |      | Bearb.     | Isaak |            |   |  |                                |                 |
| a | 01.0 | 2013-09-26 | Isaak | Geprüft    | Freigabe  | 0016/12  |                                |                 |
|   | Änd. | Datum      | Name  | Norm       |   |  |                                |                 |

Steuerung k DAC III, Variante 1  
9850 001220

control DAC III, variant 1

Encoder Nähmotor  
encoder sewing motor

Nähmotor  
sewing motor

Encoder X-Achse  
encoder X-axis

Schrittmotor X-Achse  
stepping motor X-axis

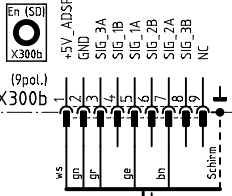
Encoder Y-Achse  
encoder Y-axis

Schrittmotor Y-Achse  
stepping motor Y-axis

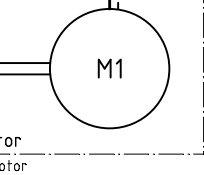
Encoder Z-Achse  
encoder Z-axis

Schrittmotor Z-Achse  
stepping motor Z-axis

Netz  
power

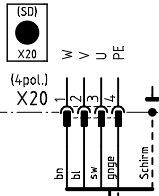


L45

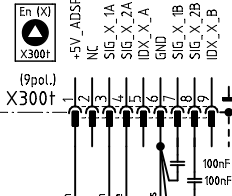


Nähmotor  
sewing motor

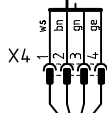
L46



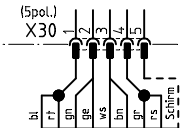
A1



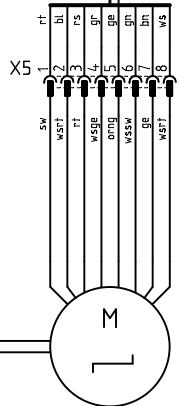
9870 806051 L47



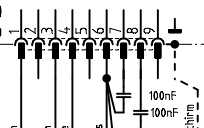
M2.1  
Encoder x-Achse  
encoder x-axis



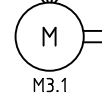
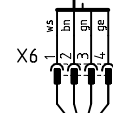
9870 806051 L48



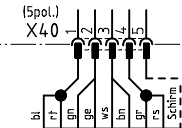
M2  
Schrittmotor x-Achse  
stepping motor x-axis



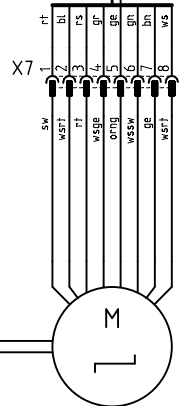
9870 806051 L49



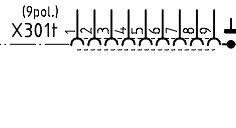
M3.1  
Encoder y-Achse  
encoder y-axis



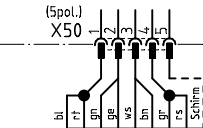
9870 806051 L50



M3  
Schrittmotor y-Achse  
stepping motor y-axis



9870 806051 L51



Z Auswerfermotor  
Blatt /13.1  
sheet

F400 FF6,3A F404 FF6,3A

Z Zusatzeinrichtung  
optional equipment

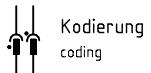
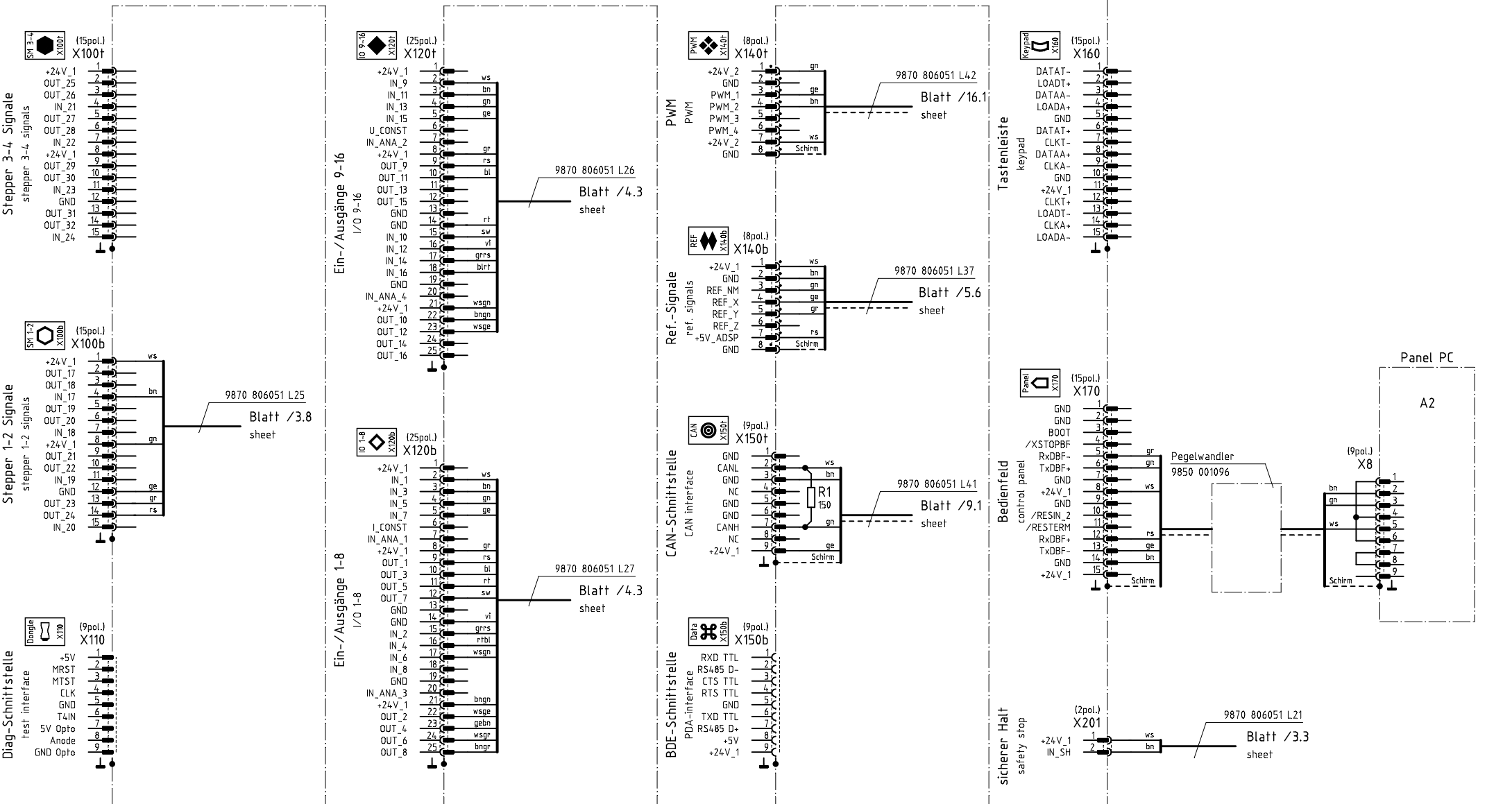
|   |      |            |        |            |
|---|------|------------|--------|------------|
| c |      |            | Datum  | 2012-08-24 |
| b |      |            | Bearb. | Isaak      |
| a | 01.0 | 2013-09-26 | Isaak  | Geprüft    |
|   | Änd. | Datum      | Name   | Norm       |

Teilfamilie  
Freigabe  
0016/12

806N-111/ -121  
DAC3 Nähmotor, Schrittmotoren  
DAC3 sewing drive, stepper motors

Bauschaltplan  
9890 806050 B

A1



|   |      |            |        |            |
|---|------|------------|--------|------------|
| c |      |            | Datum  | 2012-08-24 |
| b |      |            | Bearb. | Isaak      |
| a | 01.0 | 2013-09-26 | Isaak  | Geprüft    |
|   | Änd. | Datum      | Name   | Norm       |

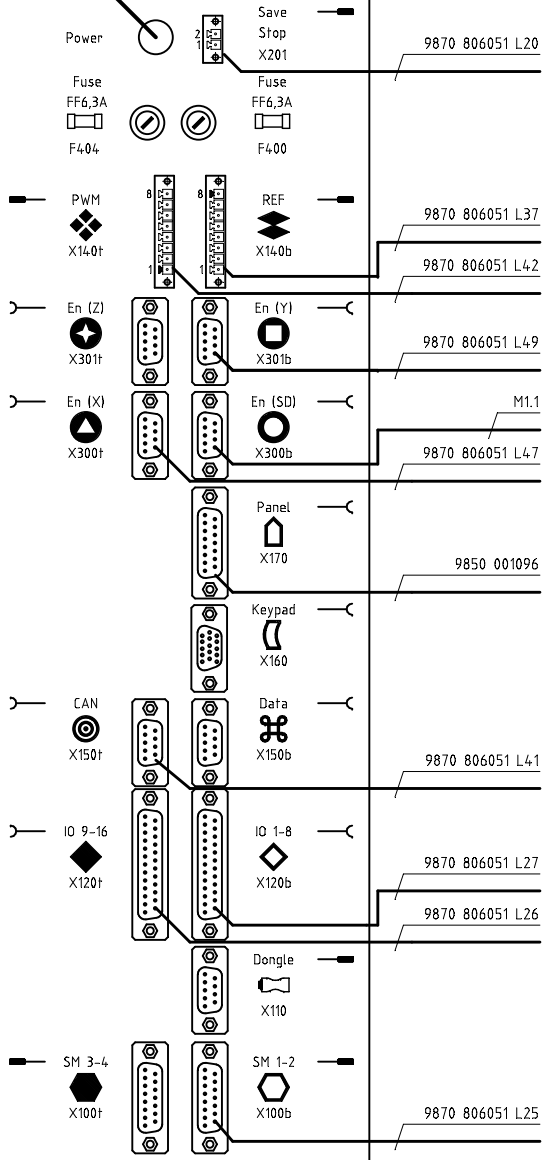


|              |         |
|--------------|---------|
| Teilefamilie | 0016/12 |
|--------------|---------|

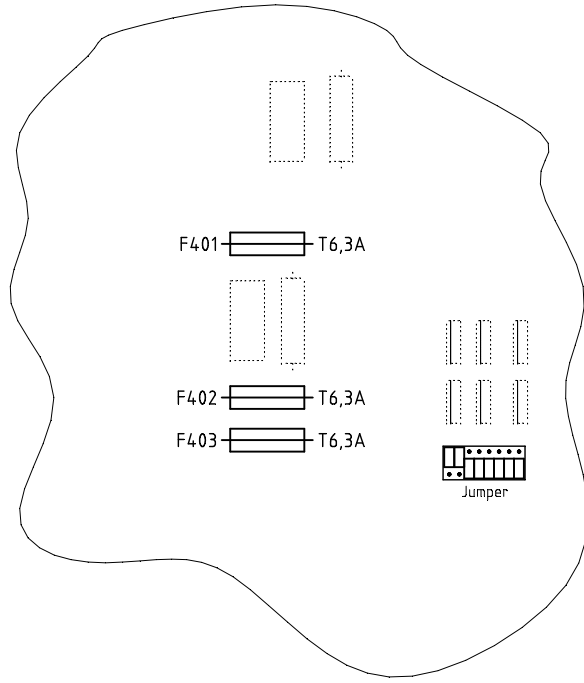
806N-111/ -121  
DAC3 Ein- / Ausgänge  
DAC3 In- / Outputs

Bauschaltplan  
9890 806050 B

A1

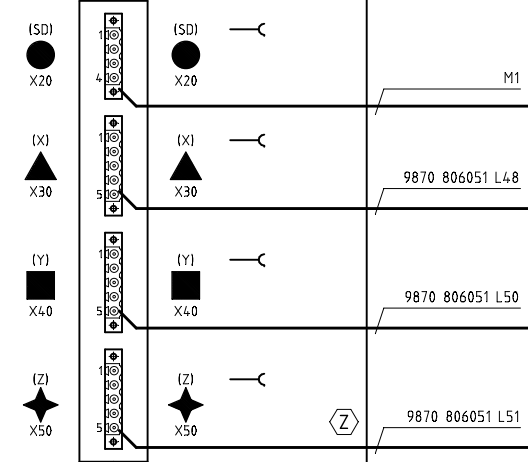


A1



Steuerung k  
 DAC III Variante 1  
 9850 001200  
 control  
 DAC III, variant 1

A1



Zusatzeinrichtung  
 optional equipment

|   |      |            |        |            |
|---|------|------------|--------|------------|
| c |      |            | Datum  | 2012-08-24 |
| b |      |            | Bearb. | Isaak      |
| a | 01.0 | 2013-09-26 | Isaak  | Geprüft    |
|   | Änd. | Datum      | Name   | Norm       |



Teilfamilie  
 Freigabe  
 0016/12

806N-111/ -121  
 DAC3 Übersicht  
 DAC3 overview

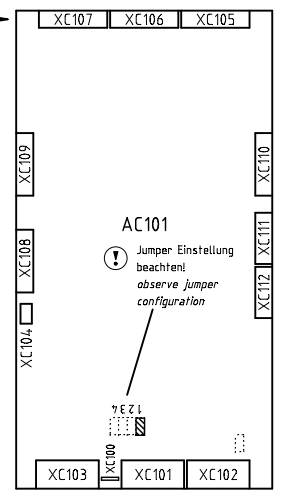
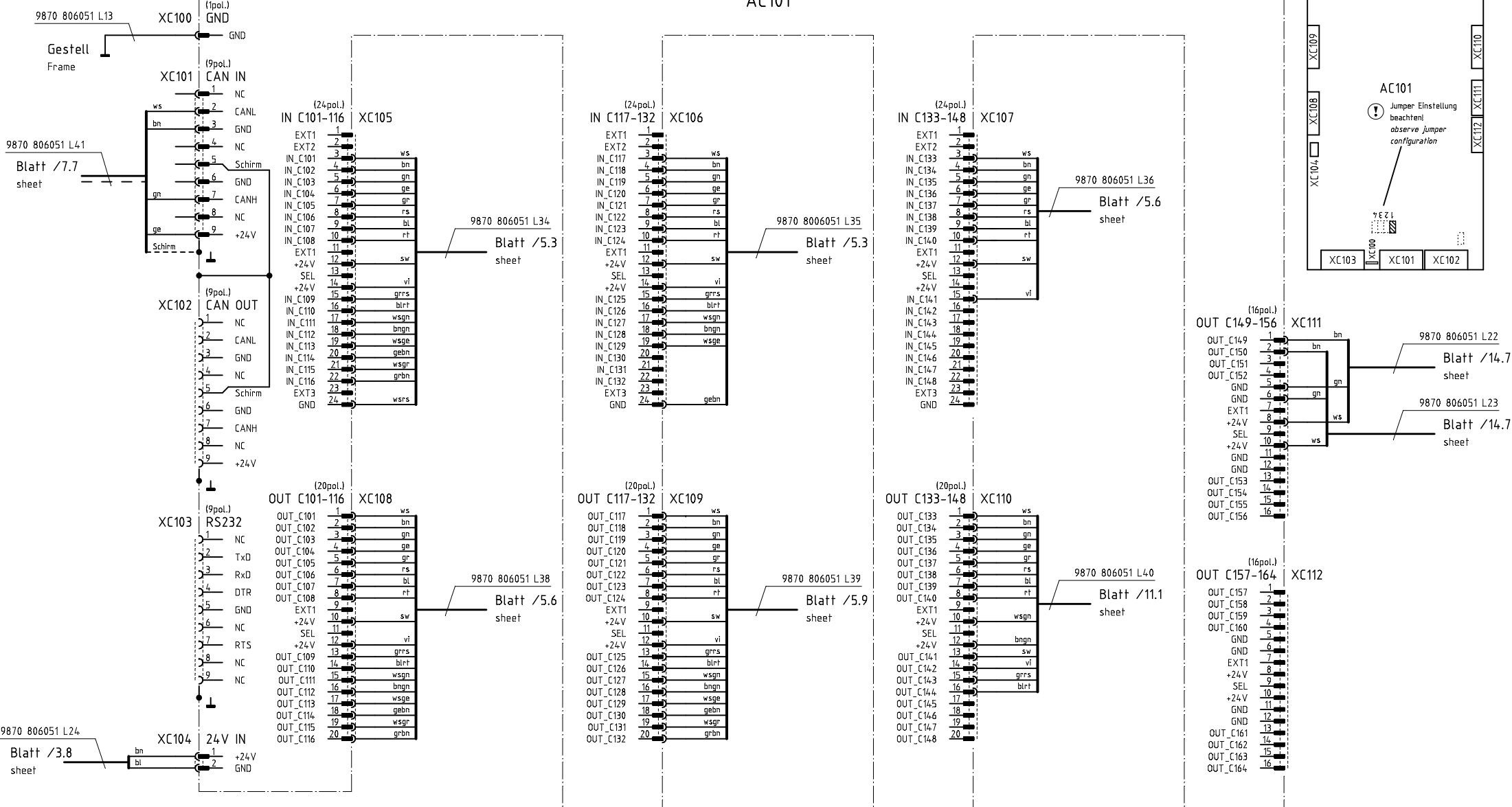
Bauschaltplan  
 9890 806050 B

Blatt  
 8 / 19

Leiterplatte K 9850 001071

PCB

AC101



⚠ Konfiguration beachten!  
observe the configuration!

|   |      |            |        |            |
|---|------|------------|--------|------------|
| c |      |            | Datum  | 2012-08-24 |
| b |      |            | Bearb. | Isaak      |
| a | 01.0 | 2013-09-26 | Isaak  | Geprüft    |
|   | Änd. | Datum      | Name   | Norm       |



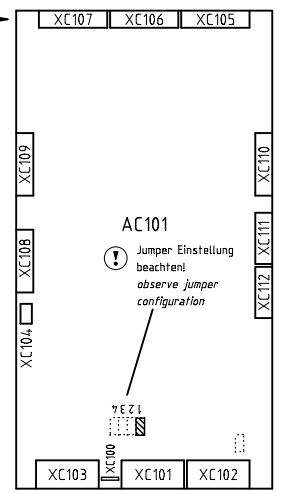
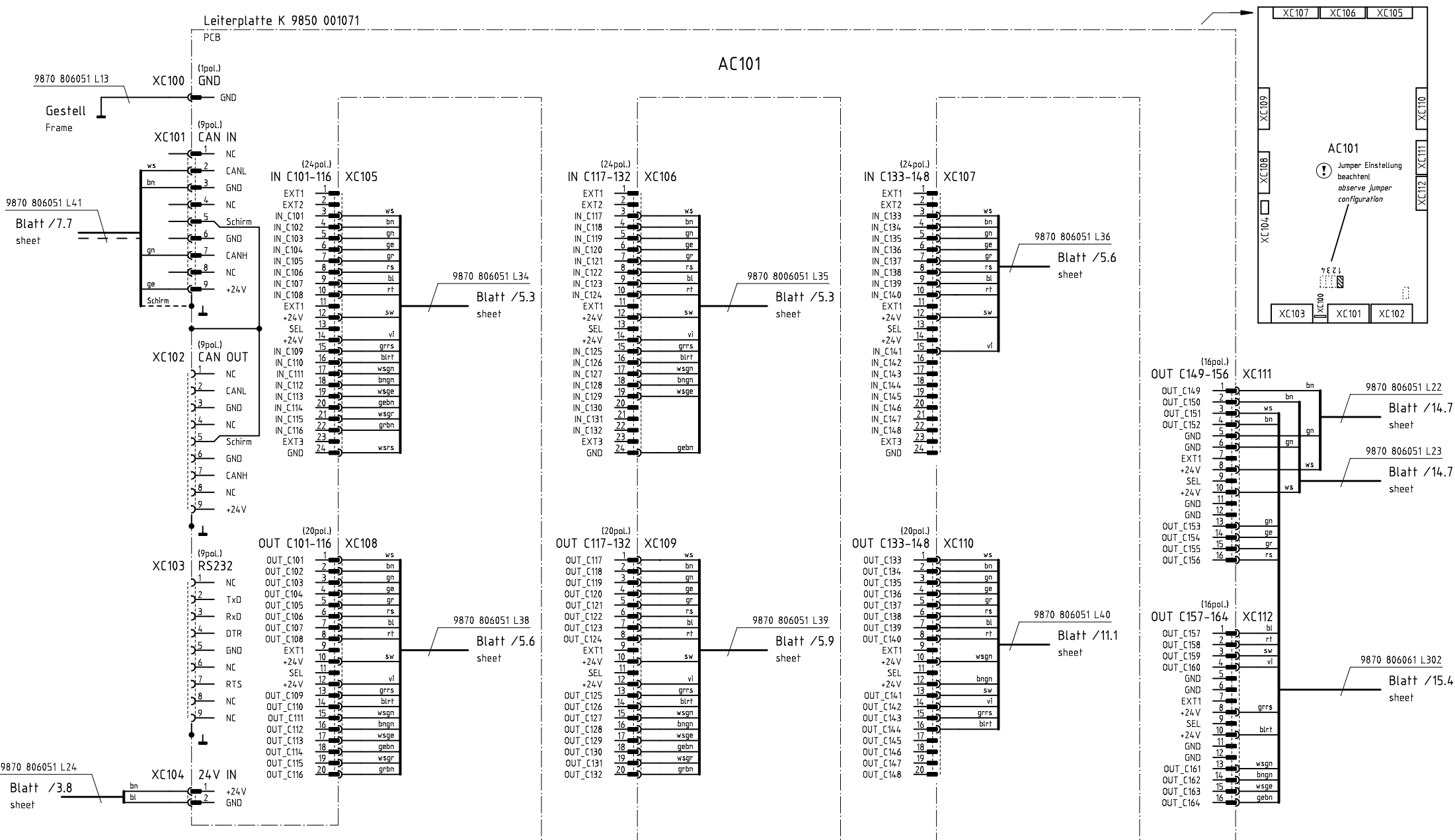
|              |                |
|--------------|----------------|
| Teilefamilie | 806N-111/ -121 |
| Freigabe     | 0016/12        |

Ein-/Ausgänge CAN-Multi-I/O  
inputs/outputs CAN-Multi-I/O

**Bauschaltplan**  
**9890 806050 B**

Leiterplatte K 9850 001071

AC101



Nur 806N-121 (Patte)!

⚠ Konfiguration beachten!  
observe the configuration!

|      |       |            |        |            |
|------|-------|------------|--------|------------|
| c    |       |            | Datum  | 2012-08-24 |
| b    |       |            | Bearb. | Isaak      |
| a    | 01.0  | 2013-09-26 | Isaak  | Geprüft    |
| Änd. | Datum | Name       | Norm   |            |

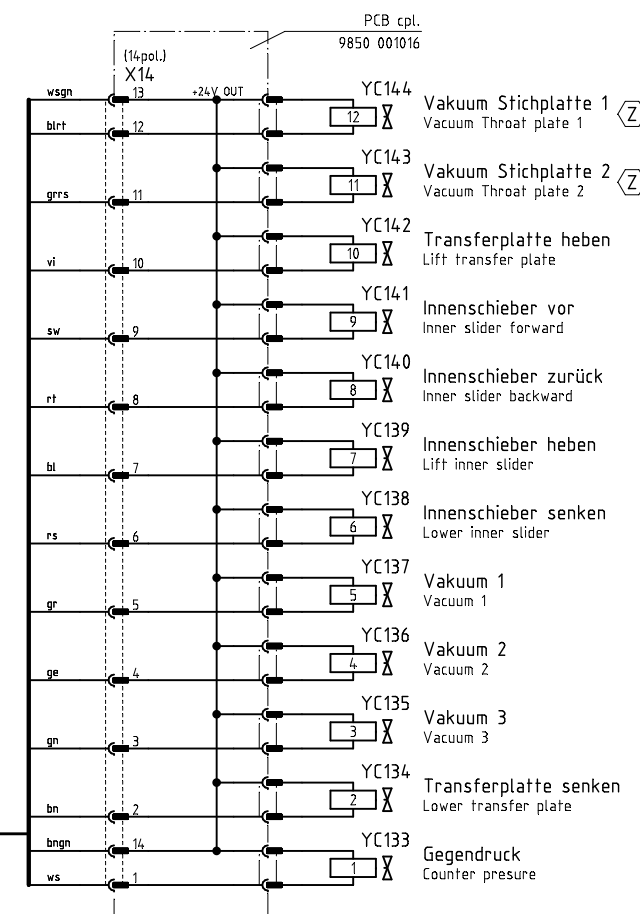
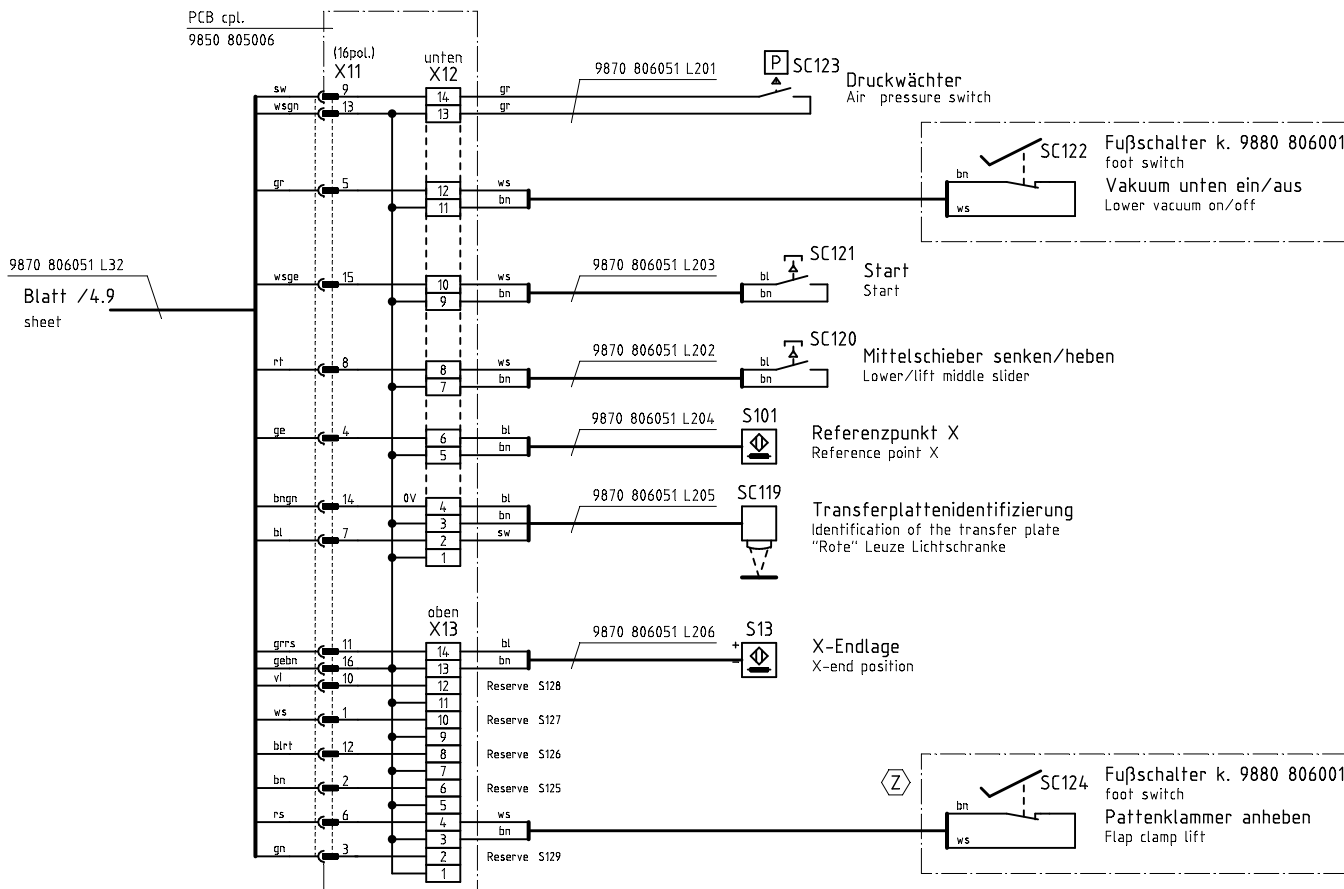
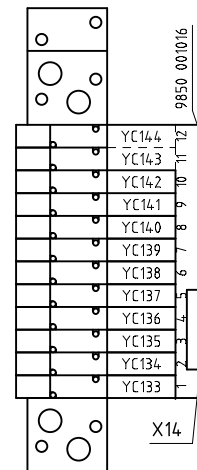
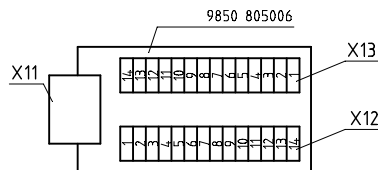


|              |                  |
|--------------|------------------|
| Teilefamilie | 806N-121 (Patte) |
| Freigabe     | 0016/12          |

806N-121 (Patte)  
Ein-/Ausgänge CAN-Multi-I/O  
inputs/outputs CAN-Multi-I/O

Bauschaltplan  
9890 806050 B

Blatt  
10 / 19



9870 806051 L32  
Blatt /4.9  
sheet

9870 806051 L40  
Blatt /9.8  
sheet

Zusatzeinrichtung  
Optional equipment

|   |      |            |        |            |
|---|------|------------|--------|------------|
| c |      |            | Datum  | 2012-08-24 |
| b |      |            | Bearb. | Isaak      |
| a | 01.0 | 2013-09-26 | Isaak  | Geprüft    |
|   | Änd. | Datum      | Name   | Norm       |

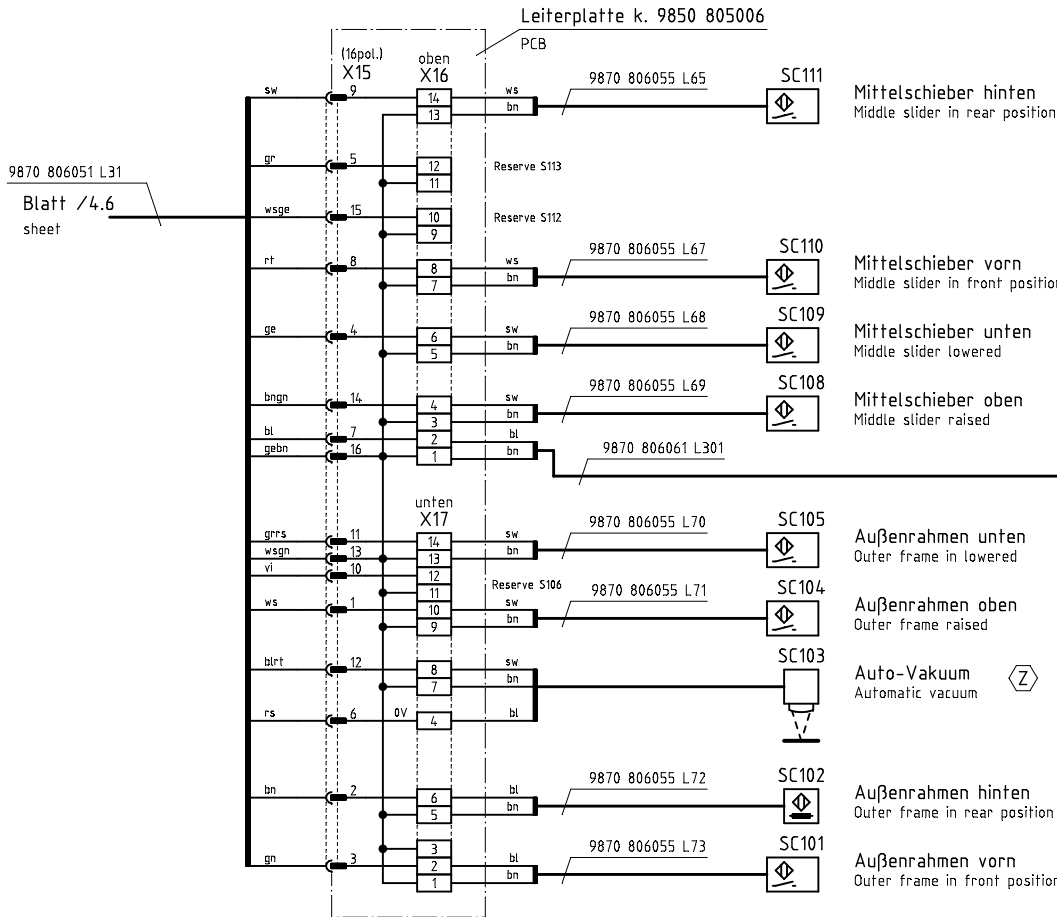
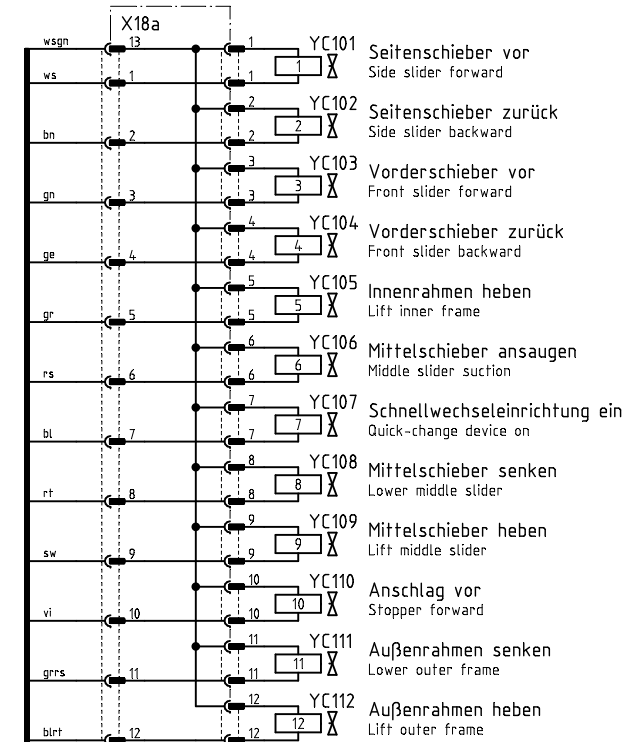
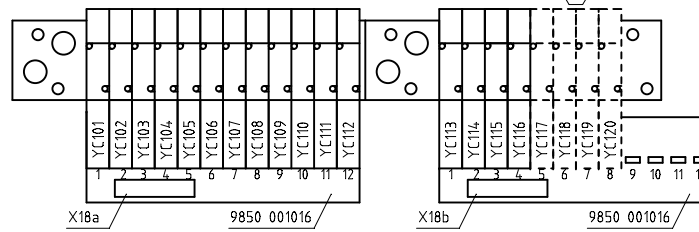
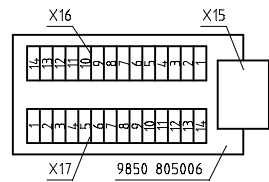


|              |         |
|--------------|---------|
| Teilefamilie |         |
| Freigabe     | 0016/12 |

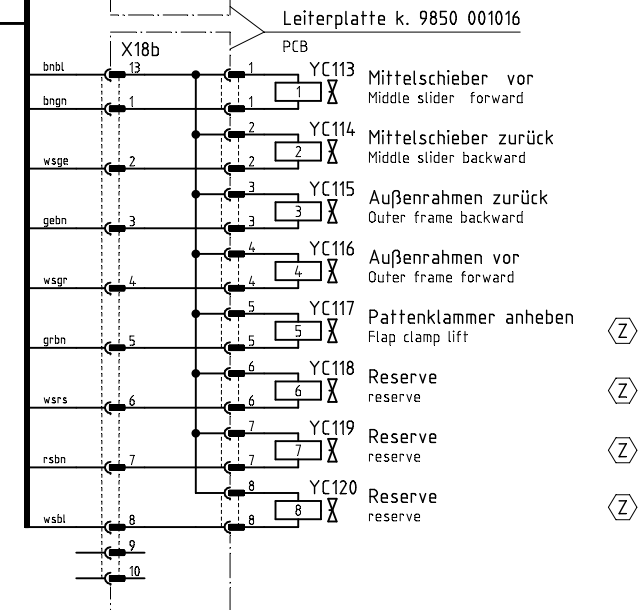
806N-111/ -121  
Grundgestell  
frame

Bauschaltplan  
9890 806050 B

Blatt  
11 / 19



Pattenzuführung links  
Blatt /15.4  
sheet



9870 806051 L33  
Blatt /4.9  
sheet

(Z) Zusatzeinrichtung  
Optional equipment

|      |       |            |        |            |
|------|-------|------------|--------|------------|
| c    |       |            | Datum  | 2012-08-24 |
| b    |       |            | Bearb. | Isaak      |
| a    | 01.0  | 2013-09-26 | Isaak  | Geprüft    |
| Änd. | Datum | Name       | Norm   |            |



|              |         |
|--------------|---------|
| Teilefamilie |         |
| Freigabe     | 0016/12 |

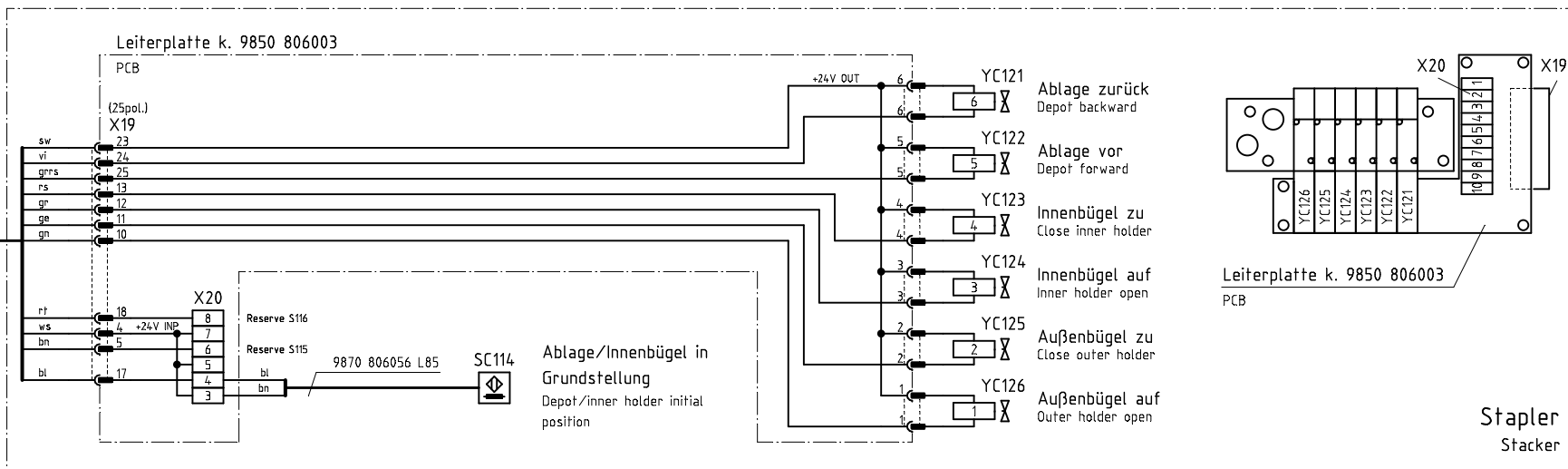
806N-111/ -121  
Umbugstation  
folding station

Bauschaltplan  
9890 806050 B

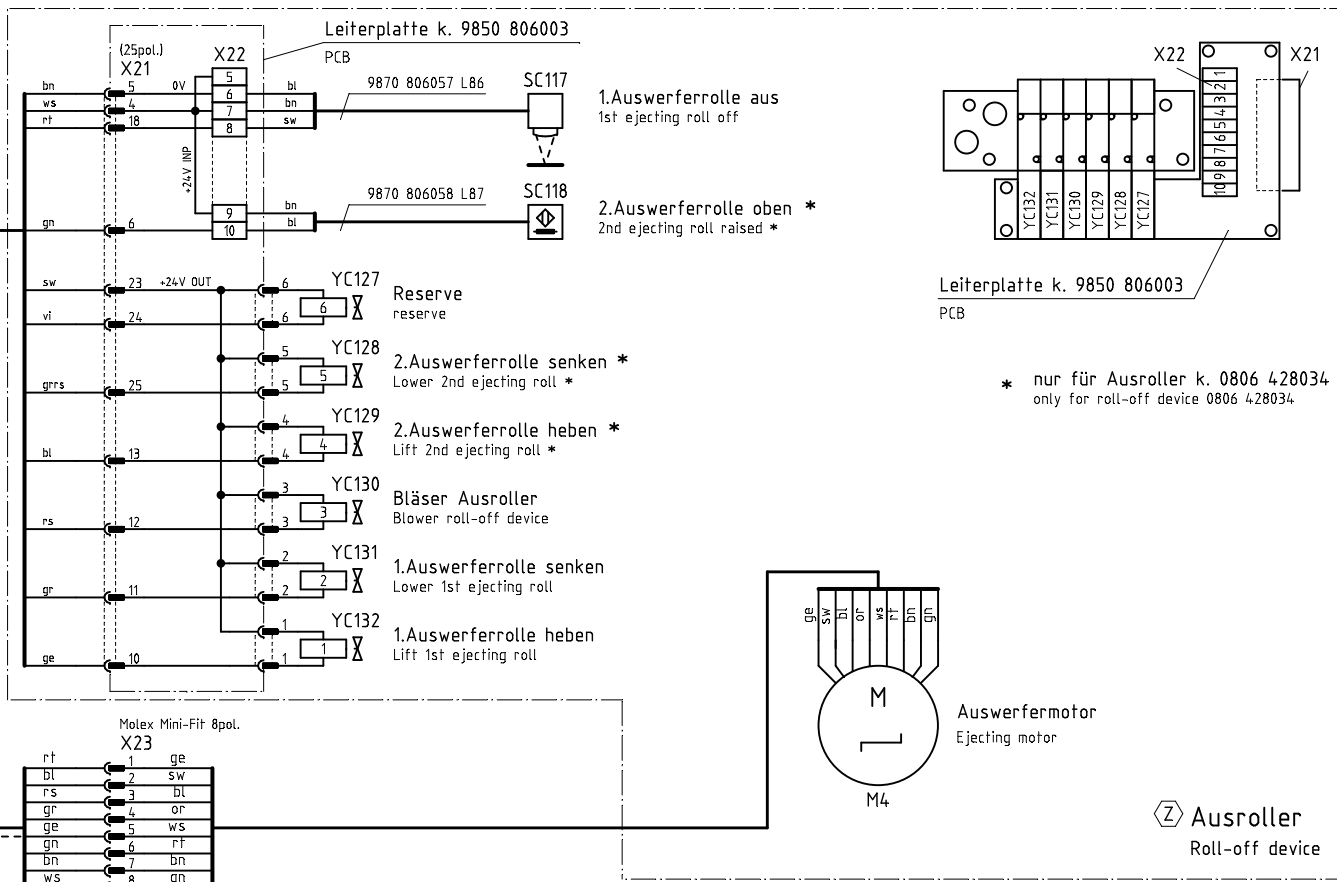
Blatt  
12 / 19



9870 806051 L29  
Blatt /4.6  
sheet



9870 806051 L30  
Blatt /4.6  
sheet



9870 806051 L51  
Blatt /6.9  
sheet

(Z) Zusatzeinrichtung  
optional equipment

|      |       |            |        |            |
|------|-------|------------|--------|------------|
| c    |       |            | Datum  | 2012-08-24 |
| b    |       |            | Bearb. | Isaak      |
| a    | 01.0  | 2013-09-26 | Isaak  | Geprüft    |
| Änd. | Datum | Name       | Norm   |            |



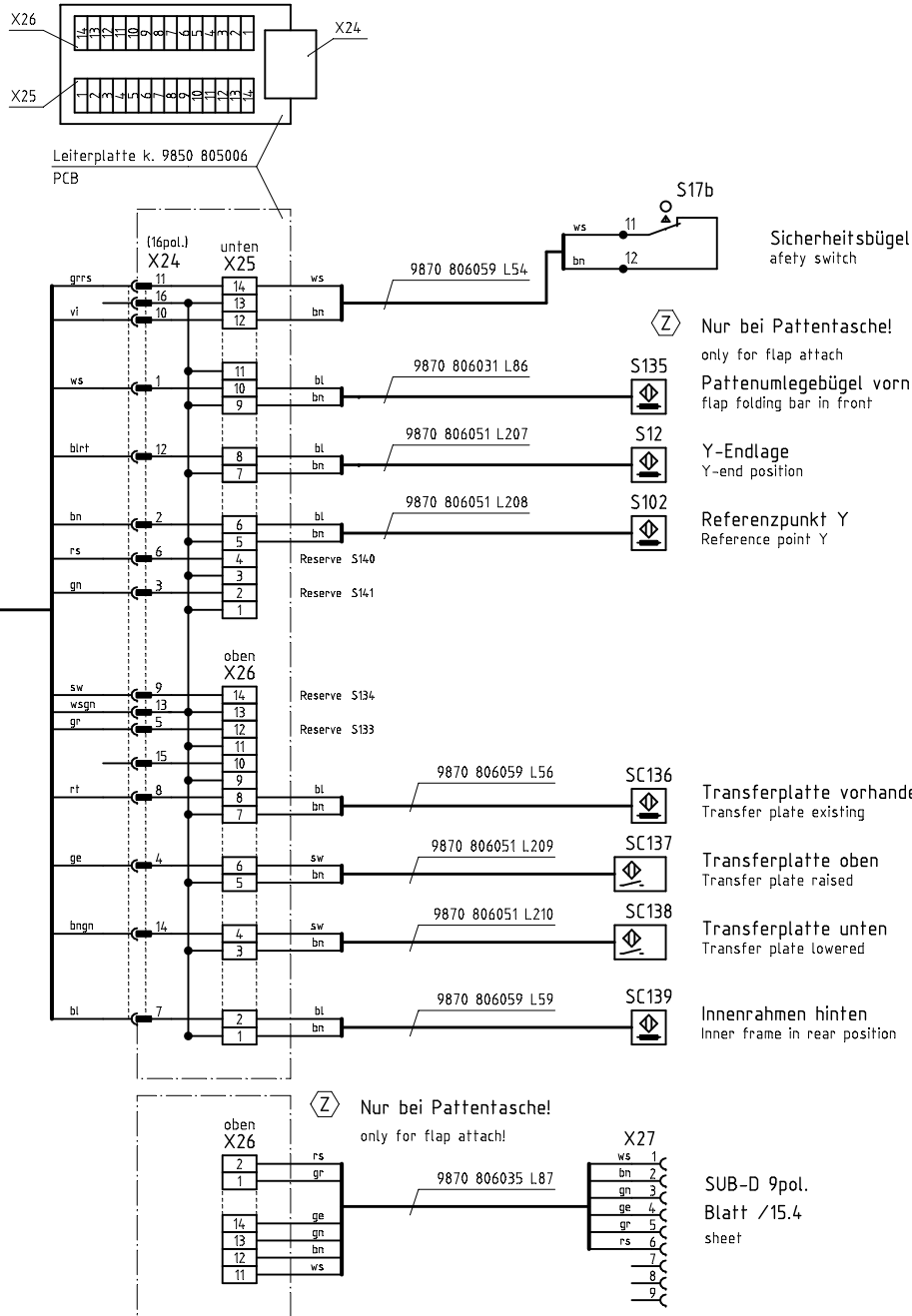
Teilfamilie  
Freigabe  
0016/12

806N-111/ -121  
Ausroller, Stapler  
roll-off device, stacker

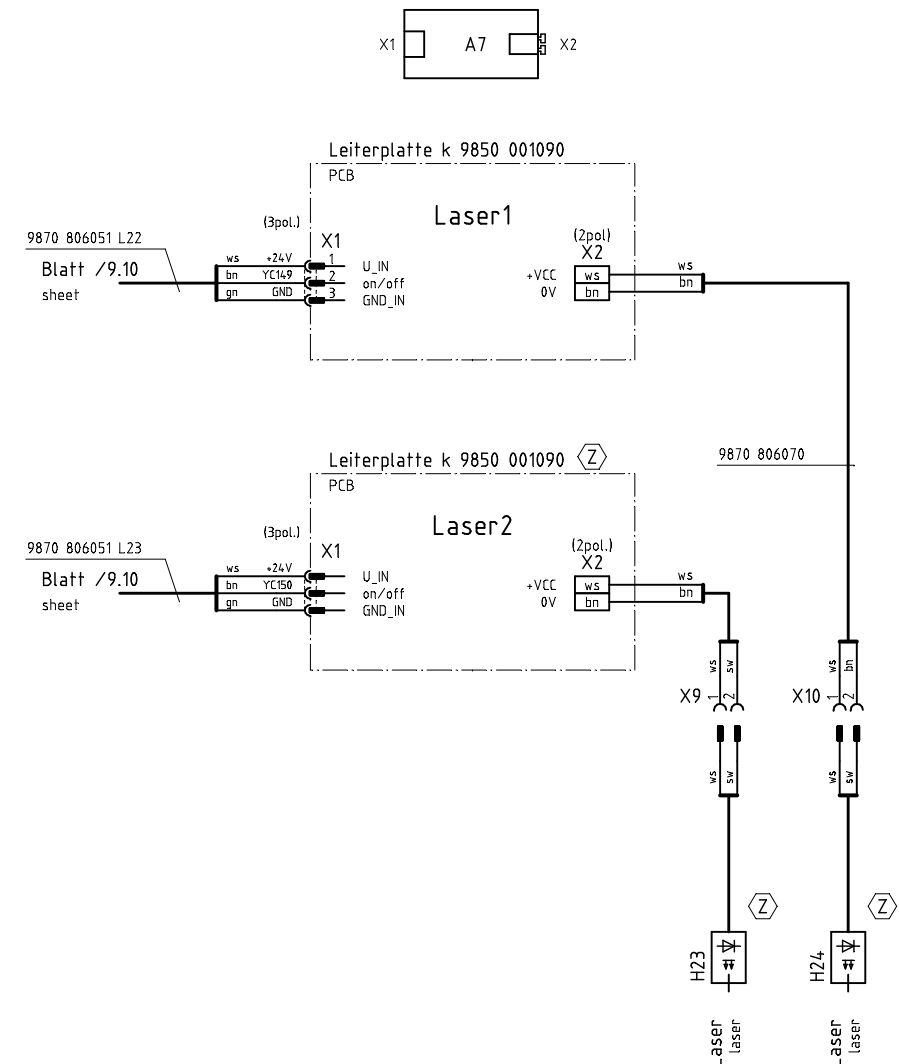
Bauschaltplan  
9890 806050 B

Blatt  
13 / 19

Verteiler Transferhebel :  
Verteiler Transferhebel



Lasermarkierung :  
Lasermarkierung



(Z) Zusatzeinrichtung  
optional equipment

|      |       |            |        |            |
|------|-------|------------|--------|------------|
| c    |       |            | Datum  | 2012-08-24 |
| b    |       |            | Bearb. | Isaak      |
| a    | 01.0  | 2013-09-26 | Isaak  | Geprüft    |
| Änd. | Datum | Name       | Norm   |            |

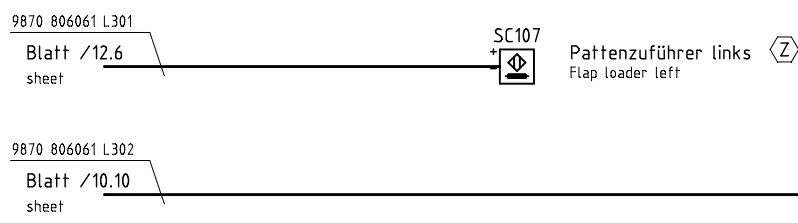
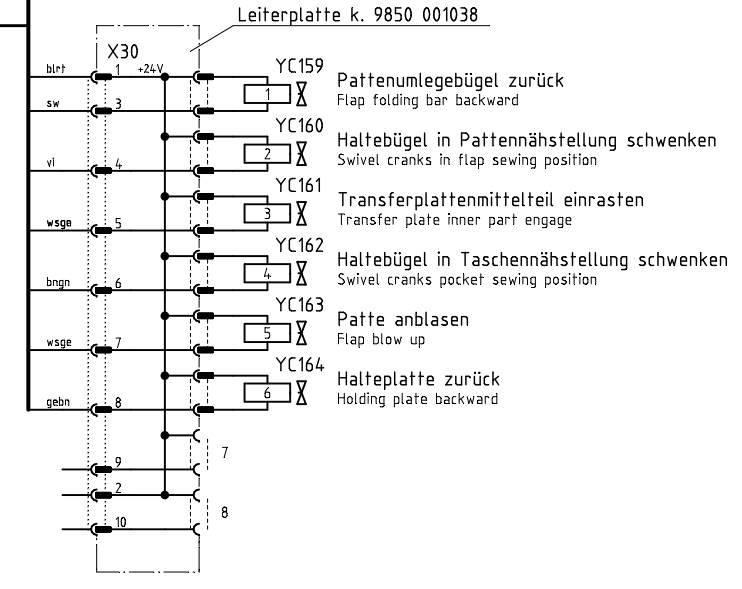
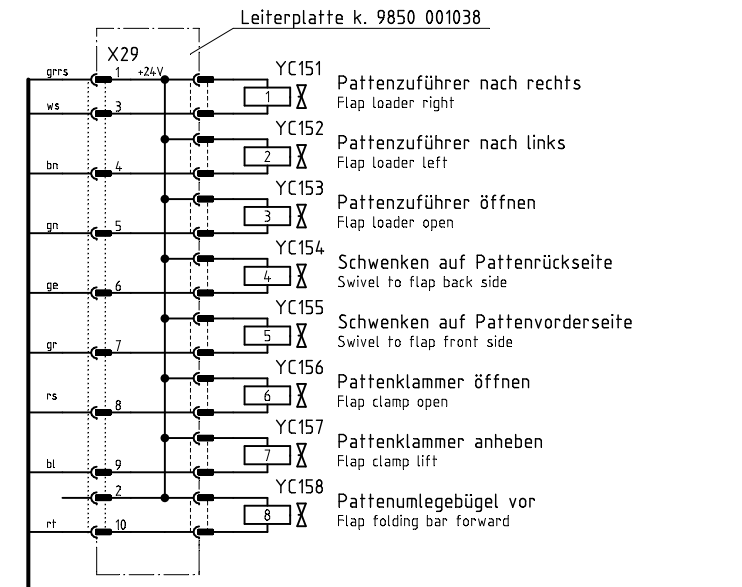
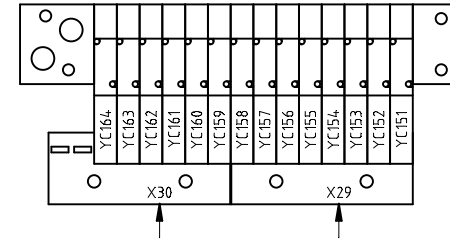
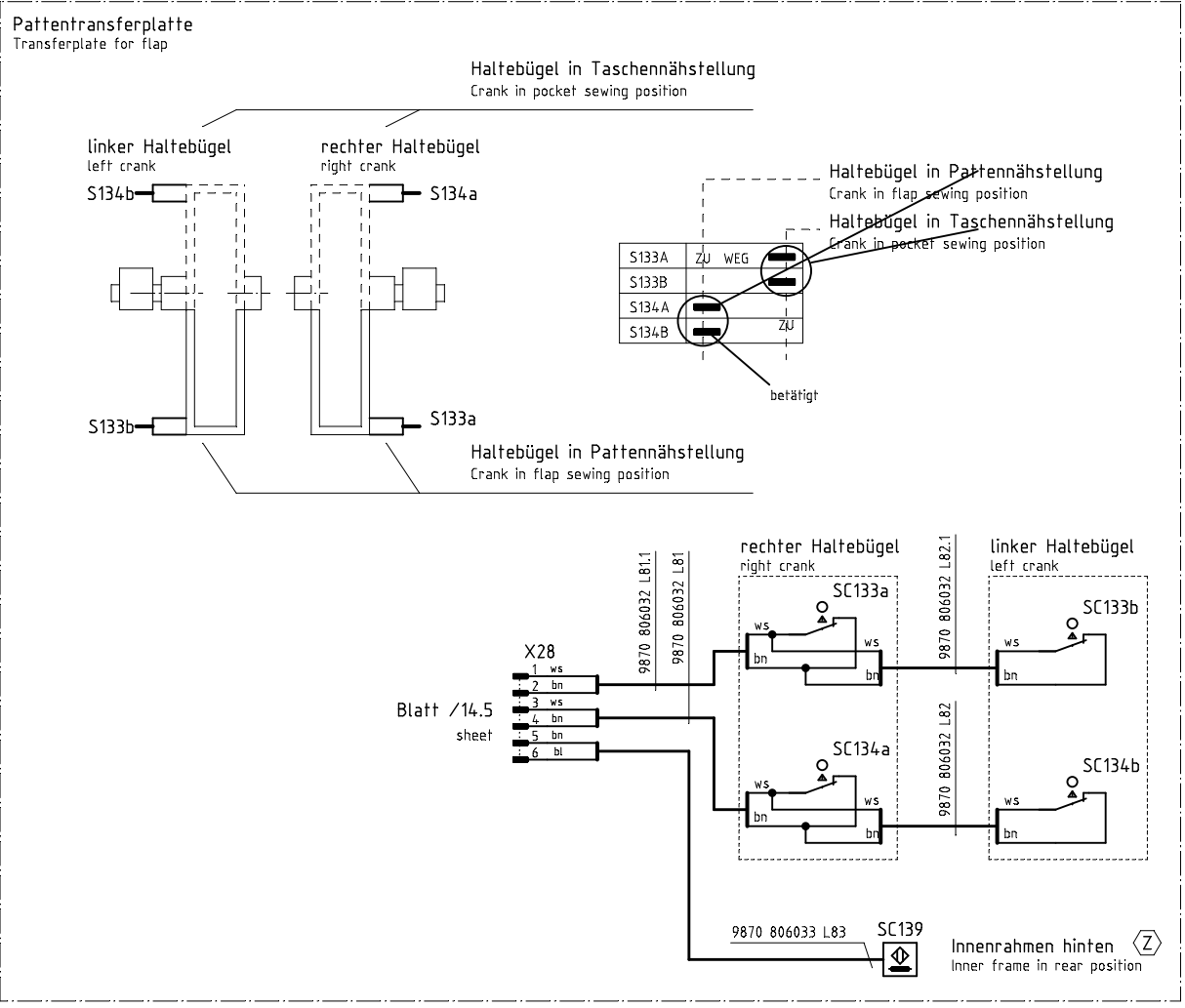


Teilfamilie  
Freigabe  
0016/12

806N-111/ -121  
Transferhebel; Lasermarkierung  
transferlever; lasermarker

Bauschaltplan  
9890 806050 B

Blatt  
14 / 19



Zusatzeinrichtung  
optional equipment

|   |      |            |        |            |
|---|------|------------|--------|------------|
| c |      |            | Datum  | 2012-08-24 |
| b |      |            | Bearb. | Isaak      |
| a | 01.0 | 2013-09-26 | Isaak  | Geprüft    |
|   | Änd. | Datum      | Name   | Norm       |



Teilfamilie  
Freigabe  
0016/12

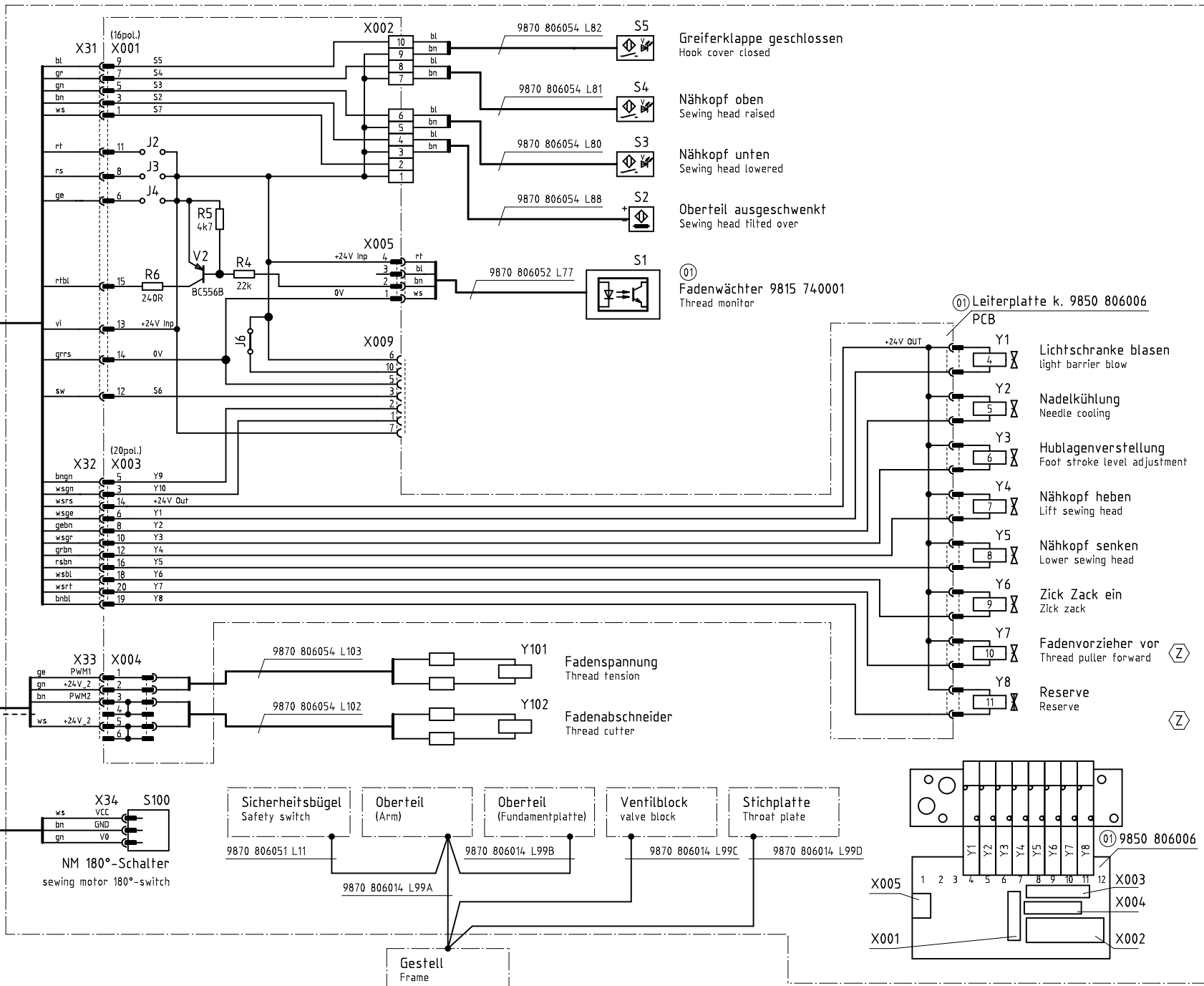
806N-121 (Patte)  
Transferhebel Patte  
transferlever flap

Bauschaltplan  
9890 806050 B

9870 806051 L43  
Blatt /5.9  
sheet

9870 806051 L42  
Blatt /7.7  
sheet

9870 806051 L44  
Blatt /5.9  
sheet



Ⓩ Zusatzeinrichtung  
optional equipment

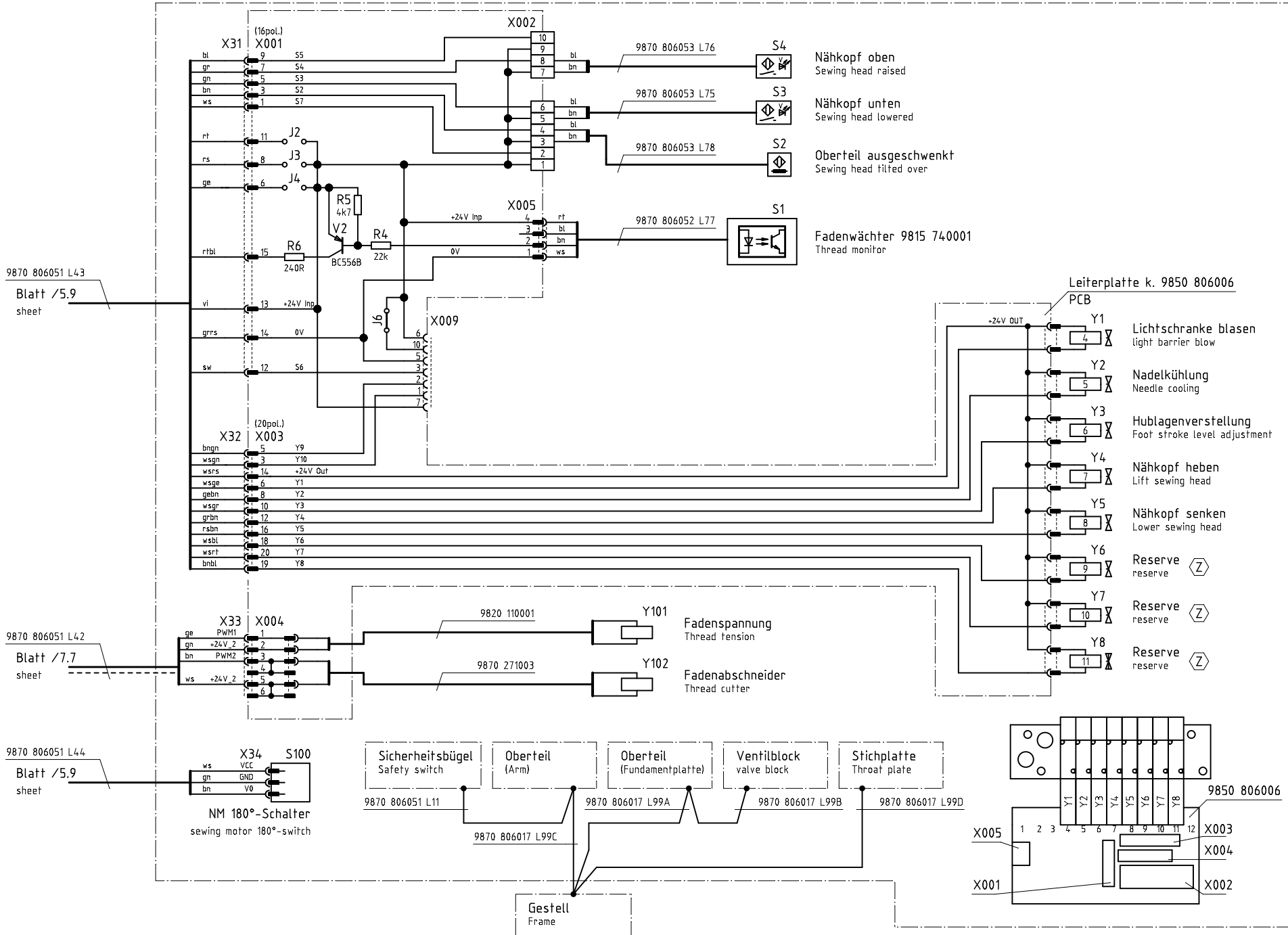
|      |       |            |        |            |
|------|-------|------------|--------|------------|
| c    |       |            | Datum  | 2012-08-24 |
| b    |       |            | Bearb. | Isaak      |
| a    | 01.0  | 2013-09-26 | Isaak  | Geprüft    |
| Änd. | Datum | Name       | Norm   |            |



|             |          |
|-------------|----------|
| Teilfamilie | 806N-111 |
| Freigabe    | 0016/12  |

806N-111  
Nähstation 467  
sewing station 467

Bauschaltplan  
9890 806050 B



9870 806051 L43  
Blatt /5.9  
sheet

9870 806051 L42  
Blatt /7.7  
sheet

9870 806051 L44  
Blatt /5.9  
sheet

Zusatzeinrichtung  
optional equipment

|   |      |            |        |            |  |              |                    |                  |
|---|------|------------|--------|------------|--|--------------|--------------------|------------------|
| c |      |            | Datum  | 2012-08-24 |  | Teilefamilie | 806N-121           | Bauschaltplan    |
| b |      |            | Bearb. | Isaak      |  |              |                    |                  |
| a | 01.0 | 2013-09-26 | Isaak  | Geprüft    |  | Freigabe     | Nähstation 271     | 9890 806050 B    |
|   | Änd. | Datum      | Name   | Norm       |  | 0016/12      | sewing station 271 | Blatt<br>17 / 19 |

|                    |  |                  |
|--------------------|--|------------------|
| 806N-121           |  | Bauschaltplan    |
| Nähstation 271     |  |                  |
| sewing station 271 |  | 9890 806050 B    |
|                    |  | Blatt<br>17 / 19 |

# ① Ein-/ Ausgangsliste Klasse 806 / 806N

| 806 806N DAC 3 Bezeichnung                           | 806 806N DAC 3 Bezeichnung                         | 806 806N DAC 3 Bezeichnung                        | 806 806N DAC 3 Bezeichnung                                    |
|--|--|---|---|
| <b>Nähstation Eingänge</b>                           | <b>Tastenleiste Eingänge</b>                       | <b>Umbugstation Ausgänge</b>                      | <b>Tastenleiste Ausgänge</b>                                  |
| S1 S1 IN_01 Fadenwächter                             | S50 S17 K4/IN_17 NOT-AUS                           | Y2 YC111 OUT_C111 Außenrahmen senken              | H1 H1 OUT_12 LED "Start"                                      |
| S20 S2 IN_02 Oberteil ausgeschwenkt                  | S51 S14 IN_14 STOP                                 | Y1 YC112 OUT_C112 Außenrahmen heben               | H2 H2 OUT_11 LED "Sicherer Halt"                              |
| S21 S3 IN_03 Nähkopf unten                           | S52 S15 IN_15 ON                                   | Y7 YC113 OUT_C113 Mittelschieber vor              | <b>Laser Ausgänge</b>   |
| S22 S4 IN_04 Nähkopf oben                            | S53 S16 IN_16 Wiederholung                         | Y8 YC114 OUT_C114 Mittelschieber zurück           |   |
| S23 S5 IN_05 Greiferklappe geschlossen (467)         | <b>Transferhebel Eingänge</b>                      | Y4 YC115 OUT_C115 Außenrahmen zurück              | NEU YC149 OUT_C149  Laser 1                                   |
| S24 S6 IN_06 Restfadenwächter (271)                  |  | S59 S17 K4/IN_17 NOT-AUS Sicherheitsbügel         | Y3 YC116 OUT_C116 Außenrahmen vor                             |
| S25 S7 IN_07 Reserve                                 | S59 S12 IN_12 Y-Endlage                            | Y17 YC117 OUT_C117  Pattenklammer anheben (Patte) | <b> Ausgänge Patte</b>  |
| <b>Umbugstation Eingänge</b>                         | S60 S102 REF_Y Referenz Y-Achse                    | Y18 YC118 OUT_C118  Reserve                       |   |
| S2 SC101 IN_C101 Außenrahmen vorn                    | S57 SC133 IN_C133  Haltebügel in Pattennähstellung | Y19 YC119 OUT_C119  Reserve                       | <b> Ausgänge Patte</b>  |
| S3 SC102 IN_C102 Außenrahmen hinten                  | S58 SC134 IN_C134  Haltebügel in Taschennähstellg. | Y20 YC120 OUT_C120  Reserve                       | Y65 YC151 OUT_C151 Pattenzuführer nach rechts                 |
| S4 SC103 IN_C103  Auto-Vakuum                        | S47 SC135 IN_C135  Pattenumlegebügel vorn          | <b>Stapler Ausgänge</b>                           | Y66 YC152 OUT_C152 Pattenzuführer nach links                  |
| S6 SC104 IN_C104 Außenrahmen oben                    | S61 SC136 IN_C136 Transferplatte vorhanden         | Y27 YC121 OUT_C121 Ablage zurück                  | Y67 YC153 OUT_C153 Pattenzuführer öffnen                      |
| S8 SC105 IN_C105 Außenrahmen unten                   | S62 SC137 IN_C137 Transferplatte oben              | Y28 YC122 OUT_C122 Ablage vor                     | Y68 YC154 OUT_C154 Schwenken auf Pattenrückseite              |
| S7 SC106 IN_C106 Reserve                             | S63 SC138 IN_C138 Transferplatte unten             | Y29 YC123 OUT_C123 Innenbügel zu                  | Y69 YC155 OUT_C155 Schwenken auf Pattenvorderseite            |
| S9 SC107 IN_C107  Pattenzuführer links (Patte)       | S64 SC139 IN_C139 Innenrahmen hinten               | Y30 YC124 OUT_C124 Innenbügel auf                 | Y70 YC156 OUT_C156 Pattenklammer öffnen                       |
| S10 SC108 IN_C108 Mittelschieber oben                | NEU SC140 IN_C140 Reserve                          | Y31 YC125 OUT_C125 Außenbügel zu                  | Y71 YC157 OUT_C157 Pattenklammer anheben                      |
| S11 SC109 IN_C109 Mittelschieber unten               | NEU SC141 IN_C141 Reserve                          | Y32 YC126 OUT_C126 Außenbügel auf                 | Y72 YC158 OUT_C158 Pattenumlegebügel vor                      |
| S12 SC110 IN_C110 Mittelschieber vorn                | <b>Nähstation Ausgänge</b>                         | <b> Ausroller Ausgänge</b>                        | Y73 YC159 OUT_C159 Pattenumlegebügel zurück                   |
| S15 SC111 IN_C111 Mittelschieber hinten              | Y34 Y01 OUT_01 Lichtschranke blasen                |   | Y59 YC127 OUT_C127  Reserve                                   |
| S13 SC112 IN_C112 Reserve                            | Y35 Y02 OUT_02 Nadelkühlung                        | Y60 YC128 OUT_C128  2. Auswerferrolle senken      | Y74 YC160 OUT_C160 Haltebügel in Pattennähstellung schwenken  |
| S14 SC113 IN_C113 Reserve                            | Y36 Y03 OUT_03 Hublagenverstellung                 | Y61 YC129 OUT_C129  2. Auswerferrolle heben       | Y75 YC161 OUT_C161 Transferplattenmittelteil einrasten        |
| <b>Stapler Eingänge</b>                              | Y37 Y04 OUT_04 Nähkopf heben                       | Y62 YC130 OUT_C130 Bläser Ausroller               | Y76 YC162 OUT_C162 Haltebügel in Taschennähstellung schwenken |
| S29 SC114 IN_C114 Ablage/Innenbügel in Grundstellung | Y38 Y05 OUT_05 Nähkopf senken                      | Y63 YC131 OUT_C131 1. Auswerferrolle senken       | Y77 YC163 OUT_C163 Patte anblasen                             |
| S27 SC115 IN_C115 Reserve                            | Y39 Y06 OUT_06 Zick-Zack ein (467)                 | Y64 YC132 OUT_C132 1. Auswerferrolle heben        | Y78 YC164 OUT_C164 Halteplatte zurück                         |
| S28 SC116 IN_C116 Reserve                            | Y42 Y07 OUT_07  Fadenvorzieher vor (467)           | <b>Grundgestell Ausgänge</b>                      |   |
| <b> Ausroller Eingänge</b>                           | Y43 Y08 OUT_08  Reserve                            | Y53 YC133 OUT_C133 Gegendruck                     |   |
| S30 SC117 IN_C117 1. Auswerferrolle aus              | Y40 Y09 OUT_09 Reset FW (nicht bei 806N)           | Y48 YC134 OUT_C134 Transferplatte senken          |   |
| S31 SC118 IN_C118  2. Auswerferrolle oben            | Y41 Y10 OUT_10 Empf. FW (nicht bei 806N)           | Y56 YC135 OUT_C135 Vakuum 3                       |   |
| <b>Grundgestell Eingänge</b>                         | <b>Umbugstation Ausgänge</b>                       | Y55 YC136 OUT_C136 Vakuum 2                       |   |
| S33 S101 REF_X Referenz X-Achse                      | Y10 YC101 OUT_C101 Seitenschieber vor              | Y54 YC137 OUT_C137 Vakuum 1                       |   |
| S34 SC119 IN_C119 Transferplattenidentifizierung     | Y11 YC102 OUT_C102 Seitenschieber zurück           | Y52 YC138 OUT_C138 Innenschieber senken           |   |
| S35 SC120 IN_C120 Mittelschieber senken/heben        | Y12 YC103 OUT_C103 Vorderschieber vor              | Y51 YC139 OUT_C139 Innenschieber heben            |   |
| S36 SC121 IN_C121 Start                              | Y13 YC104 OUT_C104 Vorderschieber zurück           | Y50 YC140 OUT_C140 Innenschieber zurück           |   |
| S37 SC122 IN_C122 Fußschalter Vakuum unten ein/aus   | Y16 YC105 OUT_C105 Innenrahmen heben               | Y49 YC141 OUT_C141 Innenschieber vor              |   |
| S38 SC123 IN_C123 Druckwächter                       | Y14 YC106 OUT_C106 Mittelschieber ansaugen         | Y47 YC142 OUT_C142 Transferplatte heben           |   |
| NEU SC124 IN_C124  Fußschalter Pattenklammer         | Y15 YC107 OUT_C107 Schnellwechseleinrichtung ein   | Y57 YC143 OUT_C143  Vakuum Stichplatte 2 (Patte)  |   |
| NEU SC125 IN_C125 Reserve                            | Y6 YC108 OUT_C108 Mittelschieber senken            | Y58 YC144 OUT_C144  Vakuum Stichplatte 1 (Patte)  |   |
| NEU SC126 IN_C126 Reserve                            | Y5 YC109 OUT_C109 Mittelschieber heben             |   |   |
| S43 SC127 IN_C127 Reserve                            | Y9 YC110 OUT_C110 Anschlag vor                     |   |   |
| S44 SC128 IN_C128 Reserve                            |  |   |   |
| NEU SC129 IN_C129 Reserve                            |  |   |   |
| S45 S13 IN_13 X-Endlage                              |  |   |   |

|   |      |            |        |            |
|---|------|------------|--------|------------|
| c |      |            | Datum  | 2012-08-24 |
| b |      |            | Bearb. | Isaak      |
| a | 01.0 | 2013-09-26 | Isaak  | Geprüft    |
|   | Änd. | Datum      | Name   | Norm       |



|              |         |
|--------------|---------|
| Teilefamilie |         |
| Freigabe     | 0016/12 |

806N-111/ -121  
Ein- /Ausgangsliste

**Bauschaltplan**  
**9890 806050 B**

# ① I-/O list class 806 / 806N

| 806 806N DAC 3 Denomination   | 806 806N DAC 3 Denomination   | 806 806N DAC 3 Denomination  | 806 806N DAC 3 Denomination   |
|---|---|--|---|
| <b>sewing station inputs</b>  | <b>key bar inputs</b>   | <b>folding station outputs</b>   | <b>key bar outputs</b>  |
| S1 S1 IN_01 thread monitor<br>S20 S2 IN_02 sewing head tilted over<br>S21 S3 IN_03 sewing head lowered<br>S22 S4 IN_04 sewing head raised<br>S23 S5 IN_05 hook cover closed (467)<br>S24 S6 IN_06 bobbin thread monitor (271)<br>S25 S7 IN_07 reserve   | S50 S17 K4/IN_17 emergency stop<br>S51 S14 IN_14 STOP<br>S52 S15 IN_15 ON<br>S53 S16 IN_16 repeat   | Y2 YC111 OUT_C111 lower outer frame<br>Y1 YC112 OUT_C112 lift outer frame<br>Y7 YC113 OUT_C113 middle slider forward<br>Y8 YC114 OUT_C114 middle slider backward<br>Y4 YC115 OUT_C115 outer frame backward<br>Y3 YC116 OUT_C116 outer frame forward<br>Y17 YC117 OUT_C117 (Z) flap clamp lift (flap)<br>Y18 YC118 OUT_C118 (Z) reserve<br>Y19 YC119 OUT_C119 (Z) reserve<br>Y20 YC120 OUT_C120 (Z) reserve   | H1 H1 OUT_12 LED "start"<br>H2 H2 OUT_11 LED "safe stop"  |
| <b>folding station inputs</b>   | <b>transferlever inputs</b>   | <b>stacker outputs</b>   | <b>laser outputs</b>  |
| S2 SC101 IN_C101 outer frame in front position<br>S3 SC102 IN_C102 outer frame in rear position<br>S4 SC103 IN_C103 (Z) automatic vacuum<br>S6 SC104 IN_C104 outer frame raised<br>S8 SC105 IN_C105 outer frame lowered<br>S7 SC106 IN_C106 reserve<br>S9 SC107 IN_C107 (Z) flap loader left (flap)<br>S10 SC108 IN_C108 middle slider raised<br>S11 SC109 IN_C109 middle slider lowered<br>S12 SC110 IN_C110 middle slider in front position<br>S15 SC111 IN_C111 middle slider in rear position<br>S13 SC112 IN_C112 reserve<br>S14 SC113 IN_C113 reserve | S99 S17 K4/IN_17 safety switch<br>S59 S12 IN_12 Y-end position<br>S60 S102 REF_Y referenz Y-axis<br>S57 SC133 IN_C133 (Z) crank in flap sewing position<br>S58 SC134 IN_C134 (Z) crank in pocket sewing position<br>S47 SC135 IN_C135 (Z) flap folding bar in front<br>S61 SC136 IN_C136 transfer plate existing<br>S62 SC137 IN_C137 transfer plate raised<br>S63 SC138 IN_C138 transfer plate lowered<br>S64 SC139 IN_C139 inner frame in rear position<br>NEU SC140 IN_C140 reserve<br>NEU SC141 IN_C141 reserve | Y27 YC121 OUT_C121 depot backward<br>Y28 YC122 OUT_C122 depot forward<br>Y29 YC123 OUT_C123 close inner holder<br>Y30 YC124 OUT_C124 open inner holder<br>Y31 YC125 OUT_C125 close outer holder<br>Y32 YC126 OUT_C126 open outer holder  | NEU YC149 OUT_C149 (Z) laser 1<br>NEU YC150 OUT_C150 (Z) laser 2  |
| <b>stacker inputs</b>   | <b>sewing station outputs</b>   | <b>(Z) roll-off device output</b>  | <b>(Z) outputs flap</b>   |
| S29 SC114 IN_C114 depot / inner holder initial position<br>S27 SC115 IN_C115 reserve<br>S28 SC116 IN_C116 reserve   | Y34 Y01 OUT_01 light barrier blow<br>Y35 Y02 OUT_02 needle cooling<br>Y36 Y03 OUT_03 foot stroke level adjustment<br>Y37 Y04 OUT_04 lift sewing head<br>Y38 Y05 OUT_05 lower sewing head<br>Y39 Y06 OUT_06 zick-zack on (467)<br>Y42 Y07 OUT_07 (Z) thread puller forward (467)<br>Y43 Y08 OUT_08 (Z) reserve<br>Y40 Y09 OUT_09 reset thread monitor (not for 806N)<br>Y41 Y10 OUT_10 recieve thread monitor (n.f. 806N)  | Y59 YC127 OUT_C127 (Z) reserve<br>Y60 YC128 OUT_C128 (Z) lower 2nd ejecting roll<br>Y61 YC129 OUT_C129 (Z) lift 2nd ejecting roll<br>Y62 YC130 OUT_C130 blower roll-off device<br>Y63 YC131 OUT_C131 lower 1st ejecting roll<br>Y64 YC132 OUT_C132 lift 1st ejecting roll  | Y65 YC151 OUT_C151 flap loader right<br>Y66 YC152 OUT_C152 flap loader left<br>Y67 YC153 OUT_C153 open flap loader<br>Y68 YC154 OUT_C154 swivel to flap back side<br>Y69 YC155 OUT_C155 swivel to flap front side<br>Y70 YC156 OUT_C156 open flap clamp<br>Y71 YC157 OUT_C157 lift flap clamp<br>Y72 YC158 OUT_C158 flap folding bar forward<br>Y73 YC159 OUT_C159 flap folding bar backward<br>Y74 YC160 OUT_C160 swivel cranks in flap sewing position<br>Y75 YC161 OUT_C161 transfer plate inner part engage<br>Y76 YC162 OUT_C162 swivel cranks in pocket sewing position<br>Y77 YC163 OUT_C163 flap blow up<br>Y78 YC164 OUT_C164 holding plate backward |
| <b>(Z) roll-off device inputs</b>   | <b>folding station outputs</b>  | <b>frame outputs</b>   |   |
| S30 SC117 IN_C117 1st ejecting roll off<br>S31 SC118 IN_C118 (Z) 2nd ejecting roll raised   | Y10 YC101 OUT_C101 side slider forward<br>Y11 YC102 OUT_C102 side slider backward<br>Y12 YC103 OUT_C103 front slider forward<br>Y13 YC104 OUT_C104 front slider backward<br>Y16 YC105 OUT_C105 lift inner frame<br>Y14 YC106 OUT_C106 middle slider suction<br>Y15 YC107 OUT_C107 quick-change device on<br>Y6 YC108 OUT_C108 lower middle slider<br>Y5 YC109 OUT_C109 lift middle slider<br>Y9 YC110 OUT_C110 stopper forward  | Y53 YC133 OUT_C133 counter pressure<br>Y48 YC134 OUT_C134 lower transfer plate<br>Y56 YC135 OUT_C135 vacuum 3<br>Y55 YC136 OUT_C136 vacuum 2<br>Y54 YC137 OUT_C137 vacuum 1<br>Y52 YC138 OUT_C138 lower inner slider<br>Y51 YC139 OUT_C139 lift inner slider<br>Y50 YC140 OUT_C140 inner slider backward<br>Y49 YC141 OUT_C141 inner slider forward<br>Y47 YC142 OUT_C142 lift transferplate<br>Y57 YC143 OUT_C143 (Z) vacuum throat plate 2 (flap)<br>Y58 YC144 OUT_C144 (Z) vacuum throat plate 1 (flap) |   |
| <b>frame inputs</b>   |   |  |   |
| S33 S101 REF_X referenz point X-axis<br>S34 SC119 IN_C119 identification of the transfer plate<br>S35 SC120 IN_C120 lower / lift middle slider<br>S36 SC121 IN_C121 start<br>S37 SC122 IN_C122 foot switch vacuum on/off<br>S38 SC123 IN_C123 air pressure switch<br>NEU SC124 IN_C124 (Z) foot switch flap clamp lift<br>NEU SC125 IN_C125 reserve<br>NEU SC126 IN_C126 reserve<br>S43 SC127 IN_C127 reserve<br>S44 SC128 IN_C128 reserve<br>NEU SC129 IN_C129 reserve<br>S45 S13 IN_13 X-end position   |   |  |   |

|   |      |            |        |            |
|---|------|------------|--------|------------|
| c |      |            | Datum  | 2012-08-24 |
| b |      |            | Bearb. | Isaak      |
| a | 01.0 | 2013-09-26 | Isaak  | Geprüft    |
|   | Änd. | Datum      | Name   | Norm       |

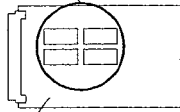
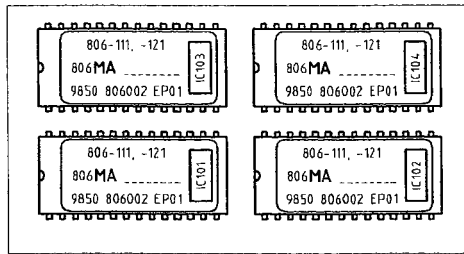


|              |         |
|--------------|---------|
| Teilefamilie |         |
| Freigabe     | 0016/12 |

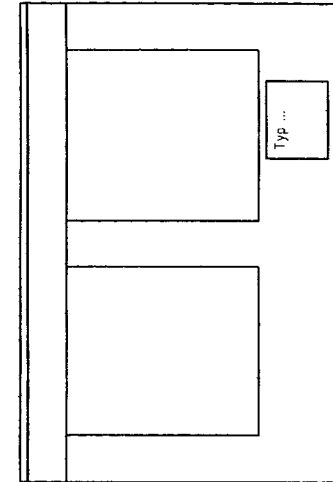
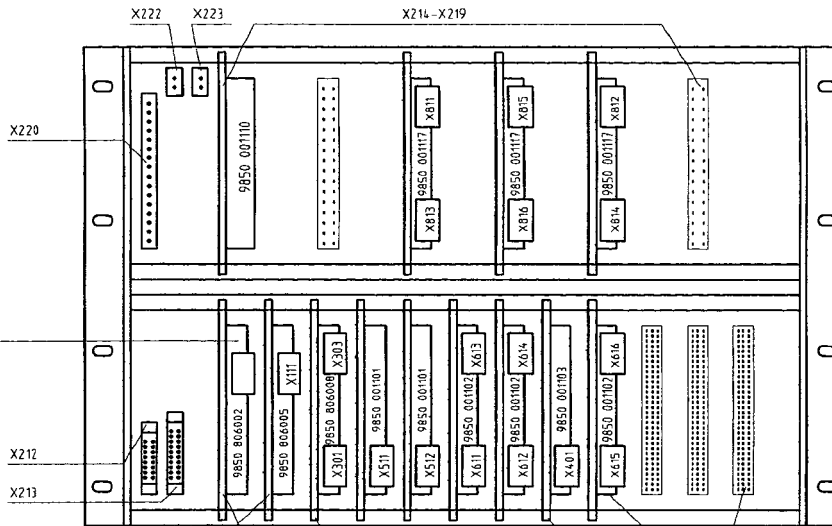
806N-111/ -121  
input / output list

**Bauschaltplan**  
**9890 806050 B**

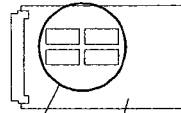
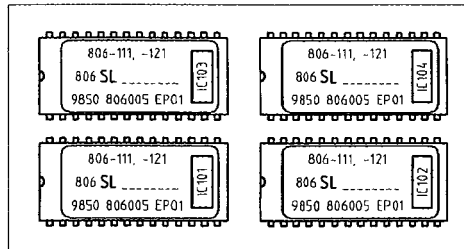
IC-EPROM progr.  
9850 806002 EP01



Brücken gesteckt:  
Jumper connected:



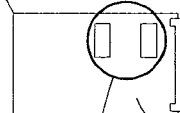
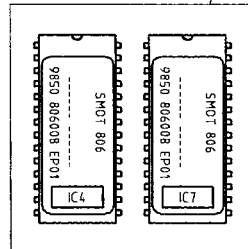
IC-EPROM progr.  
9850 806005 EP01



Brücken gesteckt:  
Jumper connected:



IC-EPROM progr.  
9850 806008 EP01



Nur für 806-521  
Only for 806-521

Brücke gesteckt:  
Jumper connected:

J402

- Brücken gesteckt:  
Jumper connected:
- J300 J306 J311 J315 J322
  - J301 J308 J312 J316
  - J305 J309 J313 J320

|   |          |          |      |        |          |
|---|----------|----------|------|--------|----------|
| c | 03.0     | 10.02.90 | Hd   | Datum  | 18.12.96 |
| b | 02.0     | 28.10.98 | Hd   | Bearb. | Harder   |
| a | 01.0     | 01.04.98 | Hd   | Gepr.  |          |
|   | Änderung | Datum    | Name | Norm   |          |



DÜRKOPP  
ADLER AG  
Bielefeld

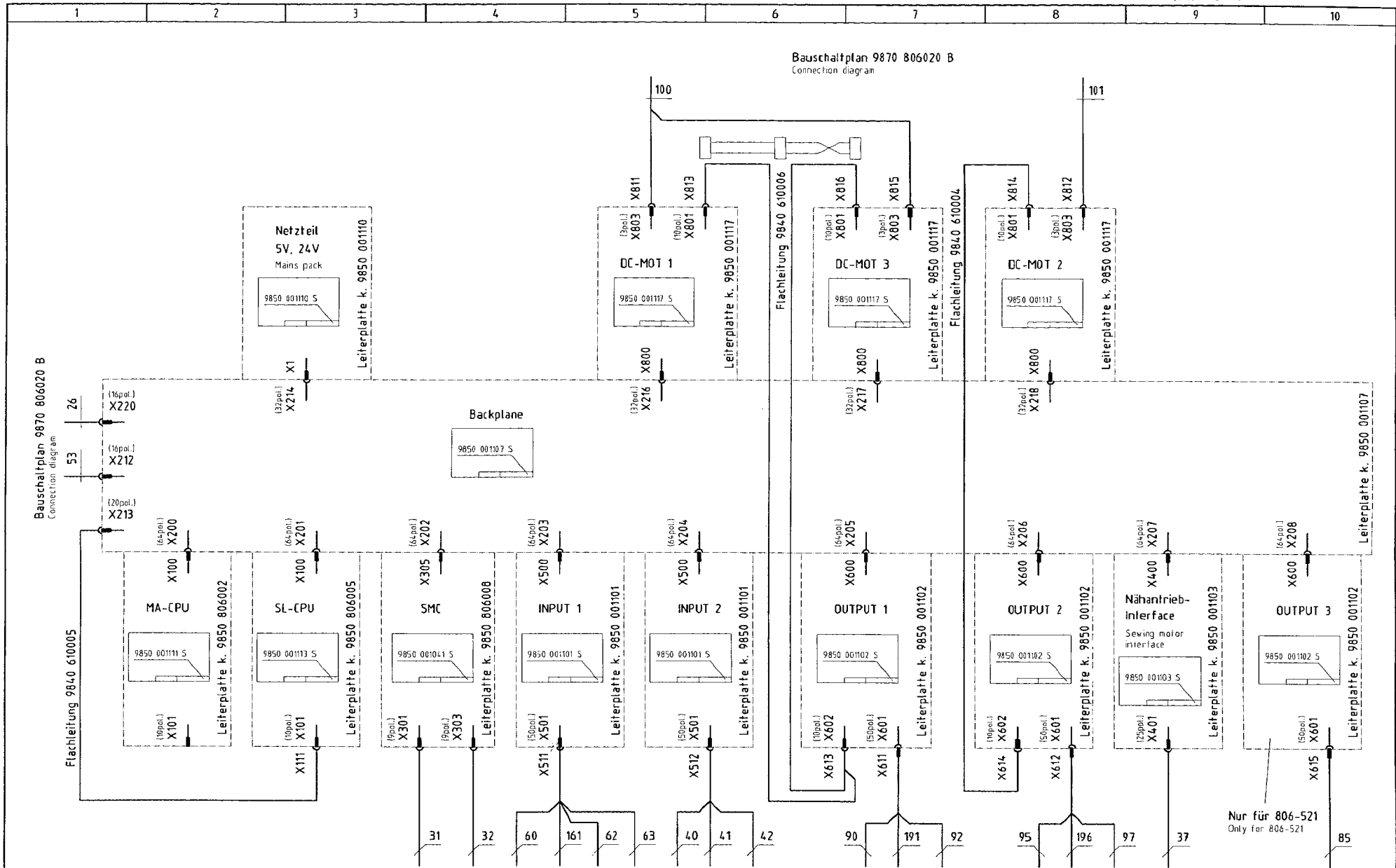
Teilfamilie  
Freigabe  
0019/00

806-111,-121,-411,-421,-521  
Steuerung k./control box

Stromlaufplan k.  
9850 806001 SK

Blatt  
1/2





Bauschaltplan 9870 806020 B  
Connection diagram

Bauschaltplan 9870 806020 B  
Connection diagram

Bauschaltplan 9870 806020 B  
Connection diagram

|   |          |          |      |        |          |
|---|----------|----------|------|--------|----------|
| c | 03.0     | 10.02.96 | Hd   | Datum  | 18.12.96 |
| b | 02.0     | 28.10.98 | Hd   | Bearb. | Harder   |
| a | 01.0     | 01.04.98 | Hd   | Gepr.  |          |
|   | Änderung | Datum    | Name | Norm   |          |



DÜRKOPP  
ADLER AG  
Bielefeld

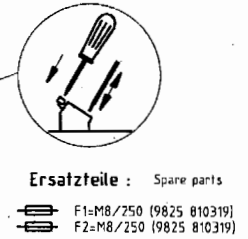
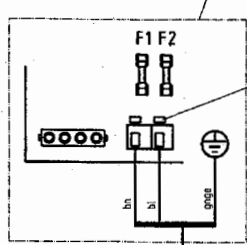
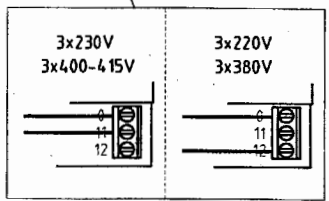
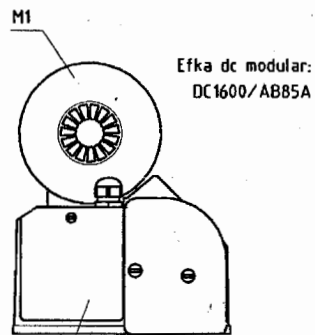
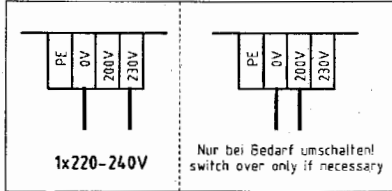
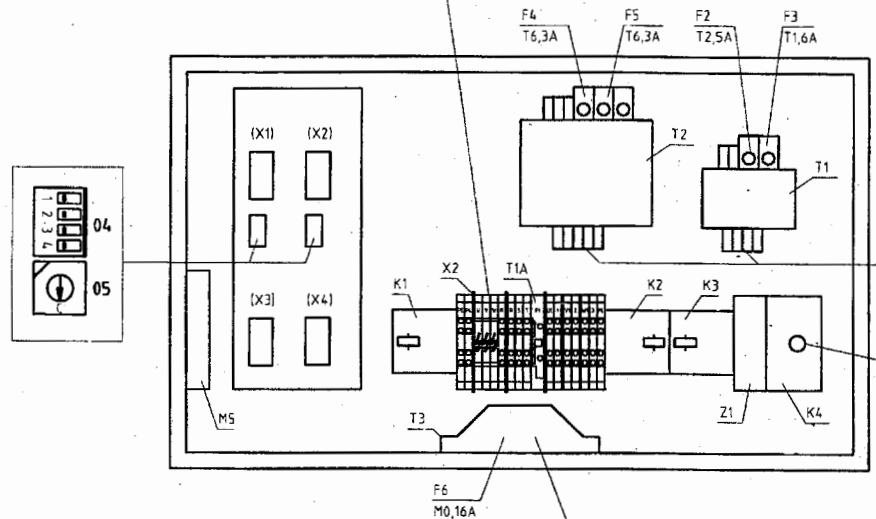
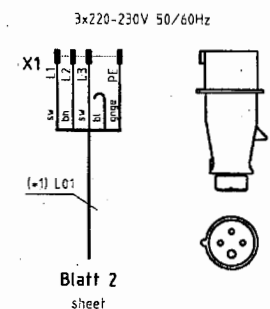
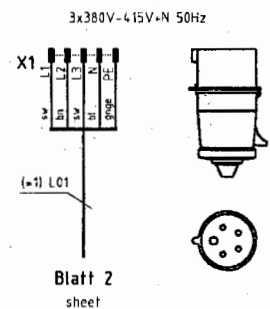
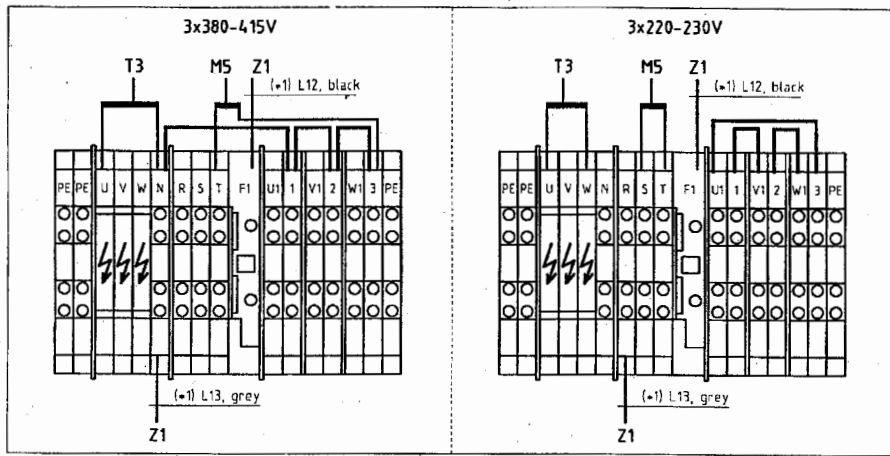
Teilenummer  
Freigabe  
0019/00

806-111,-121,-411,-421,-521  
Steuerung k./control box

Stromlaufplan k.  
9850 806001 SK

Blatt  
2/2

Nur für 806-521  
Only for 806-521



Ersatzteile : Spare parts  
 F1=M8/250 (9825 810319)  
 F2=M8/250 (9825 810319)

07. Jan. 2005

|      |              |              |             |
|------|--------------|--------------|-------------|
|      | 806-111,-121 | 806-411,-421 | 806-521     |
| (-1) | 9870 806004  | 9870 806028  | 9870 806004 |
| (-2) | 9870 806021  | 9870 806026  | 9870 806041 |

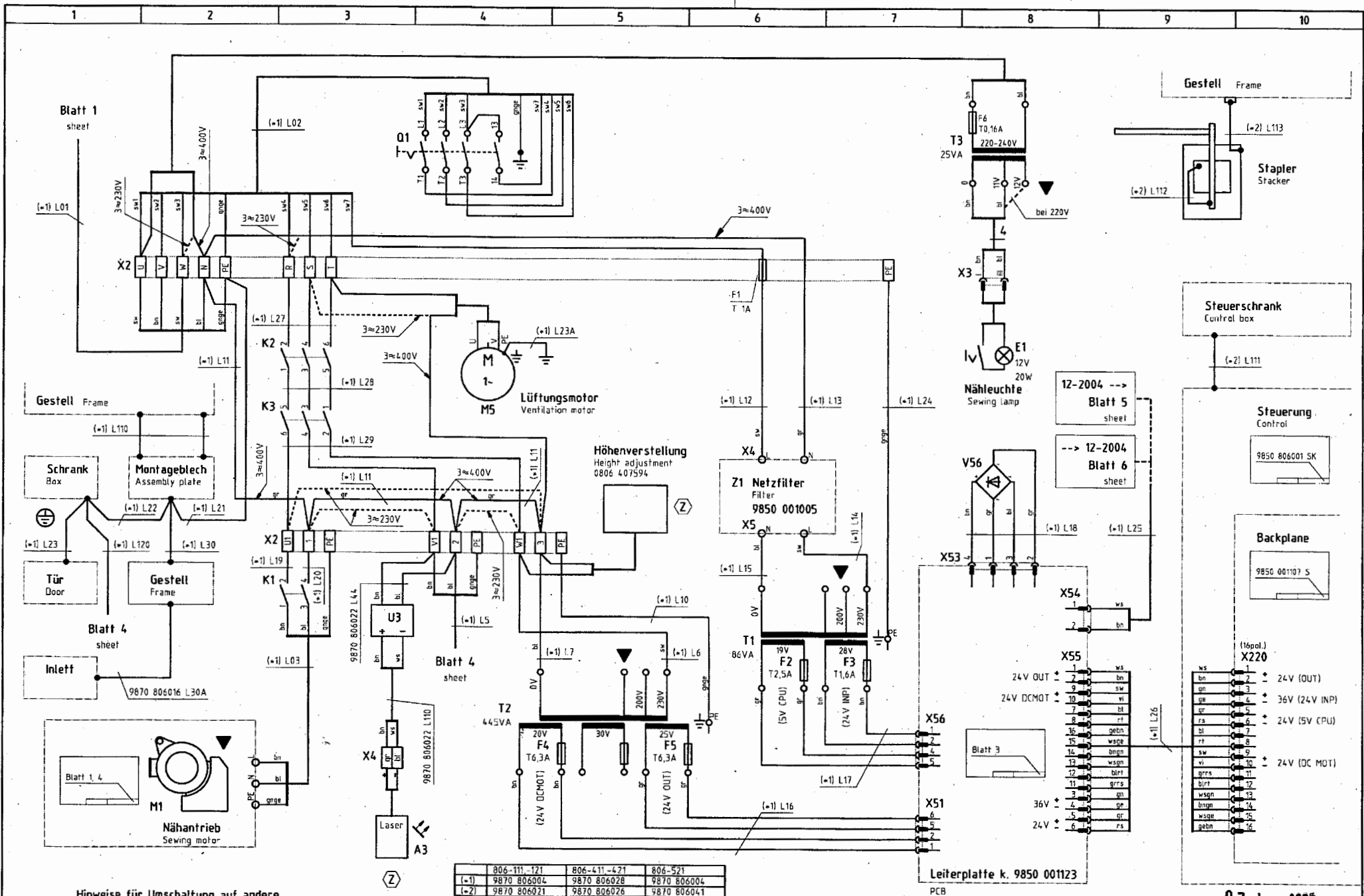
|          |       |          |           |          |
|----------|-------|----------|-----------|----------|
| c        |       |          | Datum     | 16.05.97 |
| b        |       |          | Bearb. Hd |          |
| a        | 10.0  | 20.12.04 | Cz        | Gepr.    |
| Änderung | Datum | Name     | Norm      |          |



DÜRKOPP  
 ADLER AG  
 Bielefeld

Teilefamilie  
 806-111,-121,-411,-421,-521  
 Freigabe  
 0267 / 04

Bauschaltplan  
 9870 806020 B  
 Blatt  
 1/16



|      |             |             |             |
|------|-------------|-------------|-------------|
|      | 806-111-121 | 806-411-421 | 806-521     |
| (-1) | 9870 806004 | 9870 806028 | 9870 806004 |
| (-2) | 9870 806021 | 9870 806026 | 9870 806041 |

**Hinweise für Umschaltung auf andere Netzspannung beachten!**  
 Observe the information on changeover to other mainvoltages!

|   |          |          |        |          |
|---|----------|----------|--------|----------|
| c |          |          | Datum  | 16.05.97 |
| b |          |          | Bearb. | Hd       |
| a | 10.0     | 20.12.04 | Cz     | Gepr.    |
|   | Änderung | Datum    | Name   | Norm     |



**DÜRKOPP ADLER AG**  
 Bielerfeld

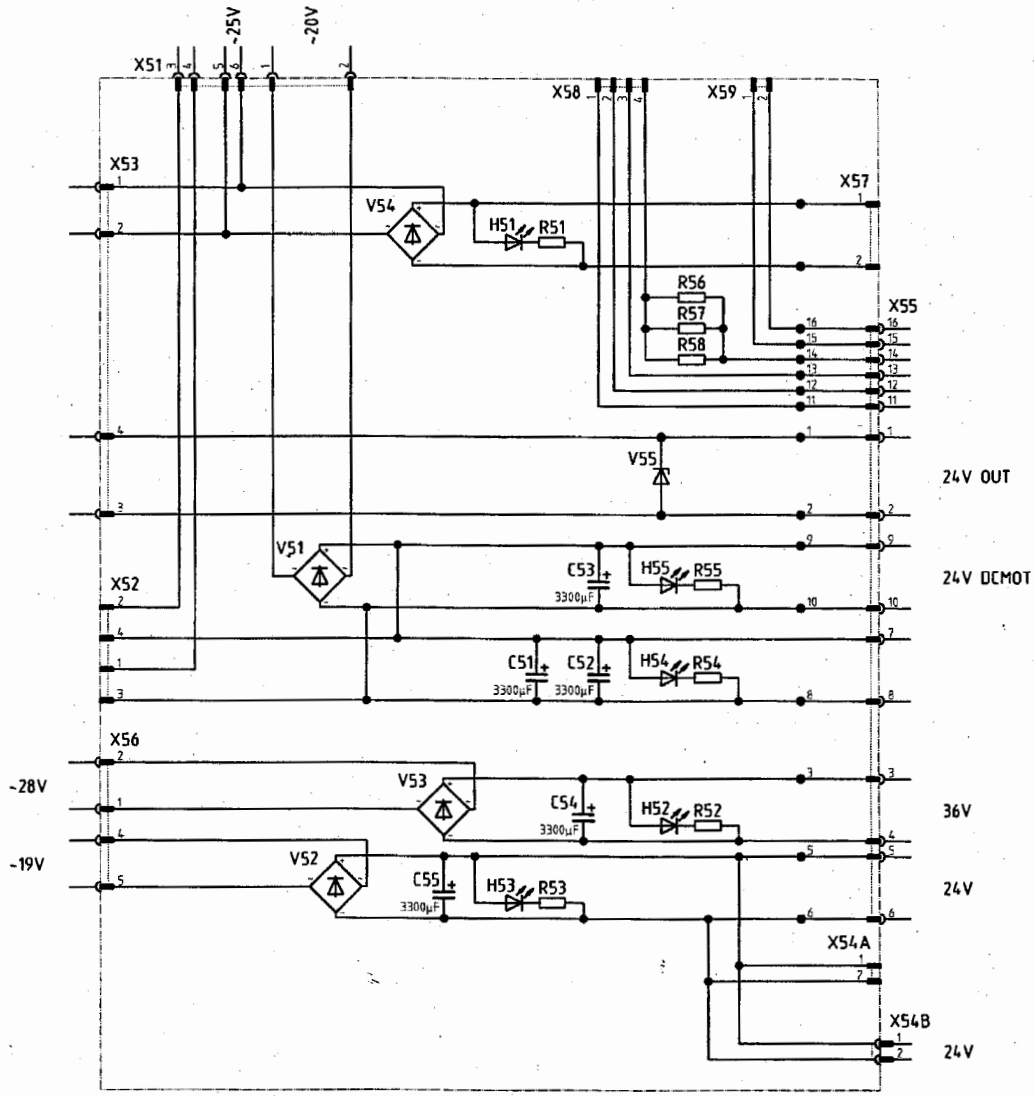
Teilfamilie  
 Freigabe  
 0267 / 04

806-111,-121,-411,-421,-521  
 Schaltschrank  
 control box

**Bauschaltplan**  
 9870 806020 B

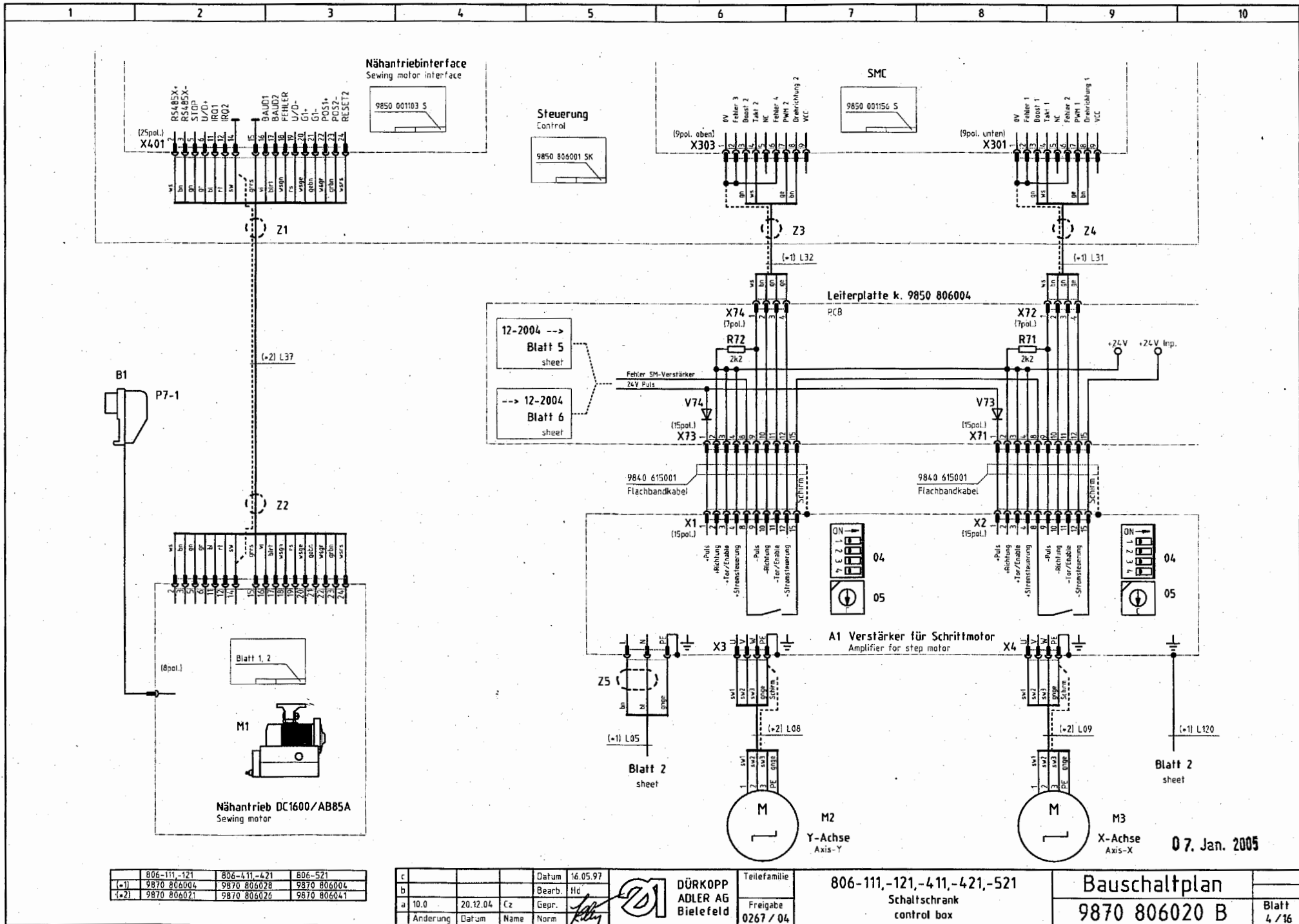
Blatt  
 2 / 16

07. Jan. 2005



07. Jan. 2005

|   |          |          |        |          |  |             |   |                                       |       |
|---|----------|----------|--------|----------|--|-------------|---|---------------------------------------|-------|
| c |          |          | Datum  | 16.05.97 |  <b>DÜRKOPP<br/>ADLER AG</b><br>Bielefeld | Teilfamilie | 806-111,-121,-411,-421,-521   | <b>Bauschaltplan</b><br>9870 806020 B |       |
| b |          |          | Bearb. | Hd       |  | Freigabe    | Schaltschrank, Leiterplatte 9850 001123<br>control box, PCB 9850 001123 |                                       | Blatt |
| a | 10.0     | 20.12.04 | Cz     | Gepr.    | <i>Ally</i>  | 0267 / 04   |   | 3 / 16                                |       |
|   | Anderung | Datum    | Name   | Norm     |  |             |   |                                       |       |



|      |              |              |             |
|------|--------------|--------------|-------------|
|      | 806-111,-121 | 806-411,-421 | 806-521     |
| (+1) | 9870 806004  | 9870 806028  | 9870 806004 |
| (+2) | 9870 806021  | 9870 806026  | 9870 806041 |

|   |          |        |          |
|---|----------|--------|----------|
| c |          | Datum  | 16.05.97 |
| b |          | Bearb. | Hc       |
| a | 10.0     | Gepr.  | Cz       |
|   | Anderung | Datum  | Name     |



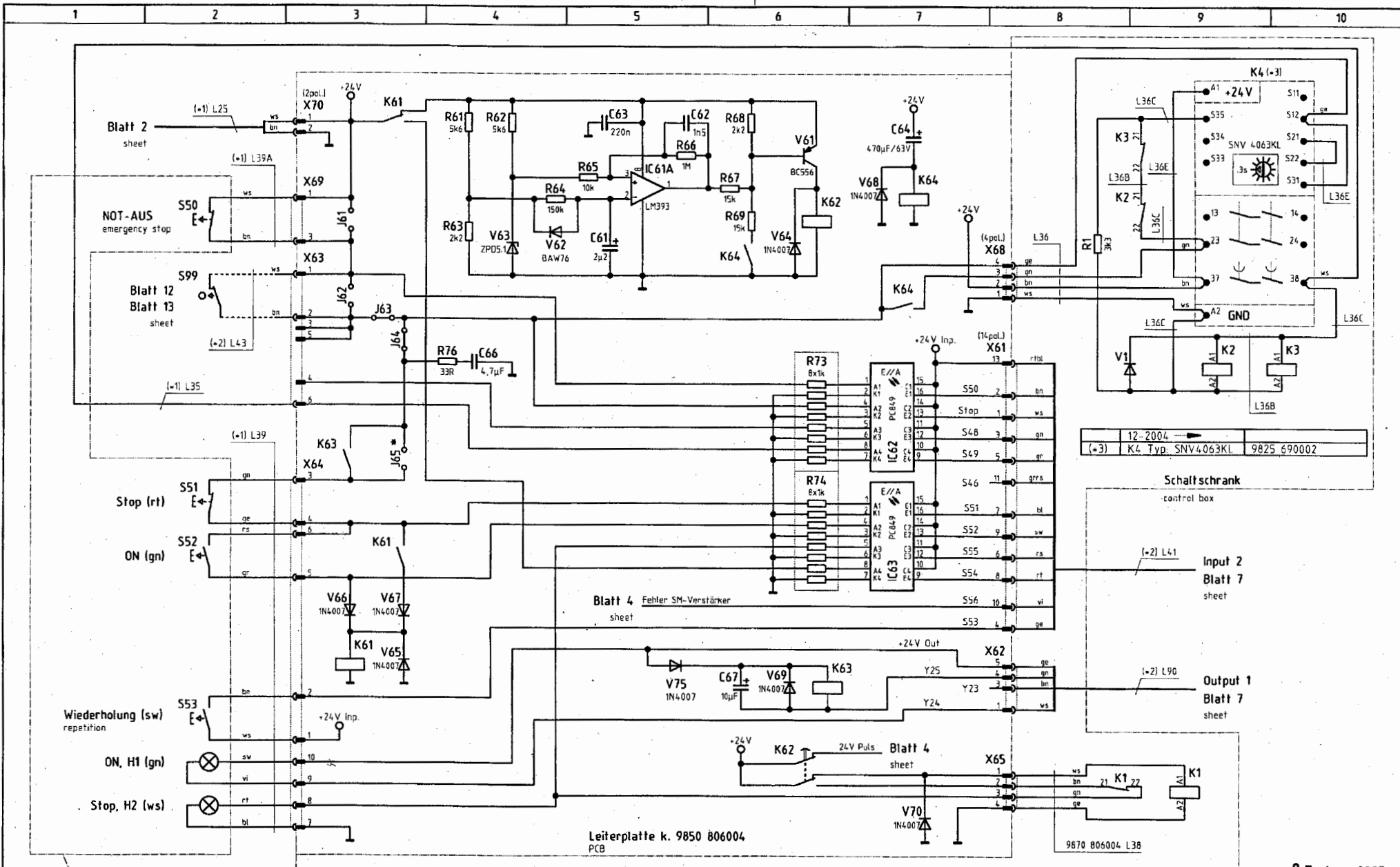
**DÜRKOPP  
ADLER AG  
Bielefeld**

Teilefamilie  
**806-111,-121,-411,-421,-521**  
Freigabe  
**0267 / 04**

**Bauschaltplan**  
**9870 806020 B**

Blatt  
4 / 16

07. Jan. 2005

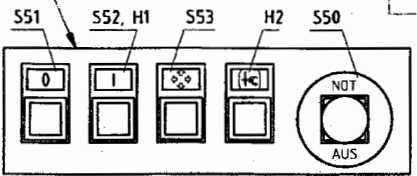


|                          |             |
|--------------------------|-------------|
| 12-2004                  |             |
| (*3) K4 Typ. SNV 4.063KL | 9825 690002 |

Schalt schrank  
control box

Input 2  
Blatt 7  
sheet

Output 1  
Blatt 7  
sheet



\* Brücke J65 offen ab Programmversion 806MA A02 (EPROM 9850 806002 EP01)  
Jumper J65 open from program version 806MA A02 (EPROM 9850 806002 EP01)

|      |             |             |             |
|------|-------------|-------------|-------------|
|      | 806-111-121 | 806-411-421 | 806-521     |
| (*1) | 9870 806004 | 9870 806028 | 9870 806004 |
| (*2) | 9870 806021 | 9870 806026 | 9870 806041 |

|   |          |          |           |          |
|---|----------|----------|-----------|----------|
| c |          |          | Datum     | 16.05.97 |
| b |          |          | Bearb. Hd |          |
| a | 10.0     | 20.12.04 | Cz        | Gepr.    |
|   | Änderung | Datum    | Name      | Norm     |



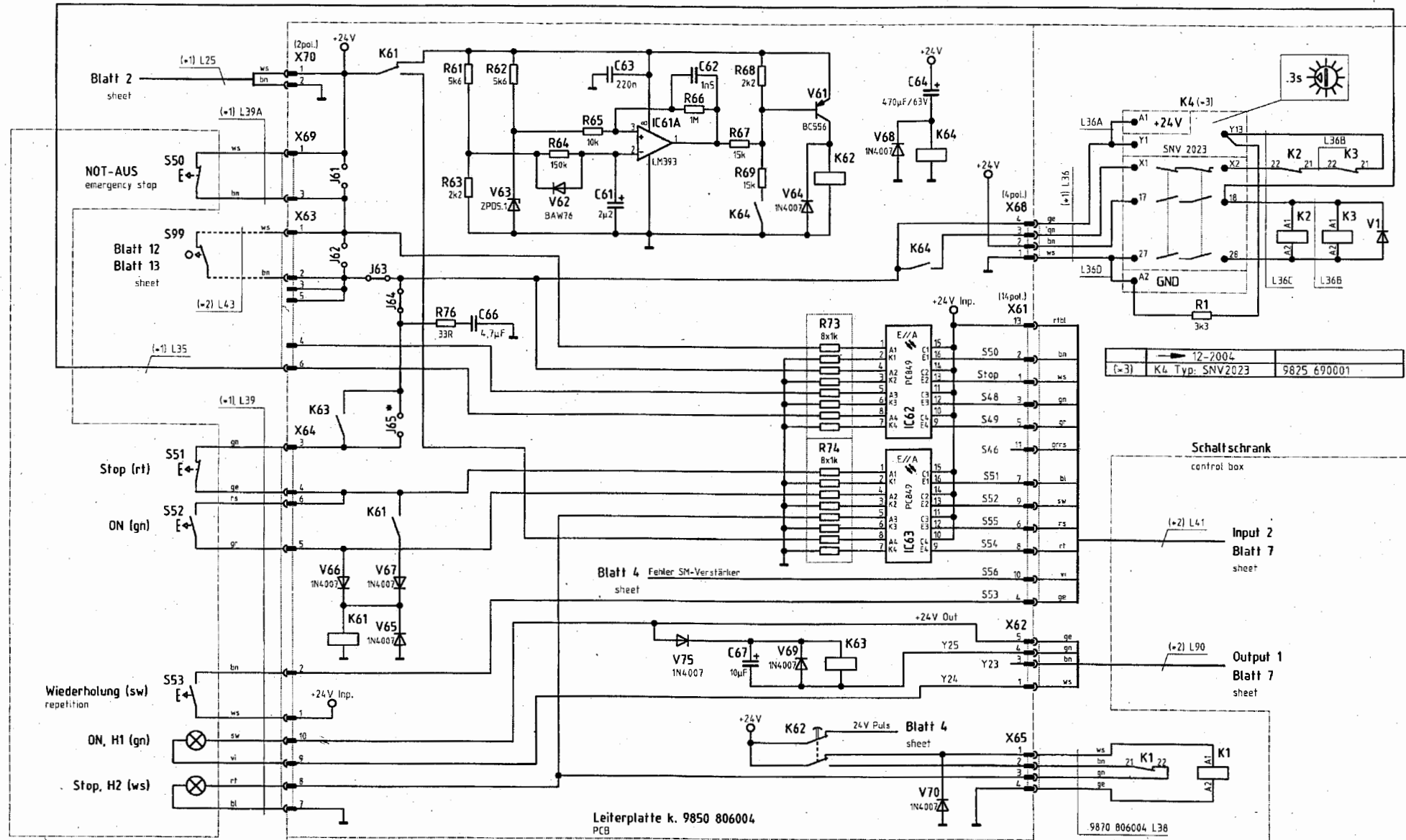
Teilefamilie  
Freigabe  
0267 / 04

806-111,-121,-411,-421,-521  
Schalt schrank, sicherer Halt  
control box, safety stop

Bauschaltplan  
9870 806020 B

Blatt  
5/16

07. Jan. 2005



|      |                 |             |
|------|-----------------|-------------|
| (=3) | 12-2004         |             |
|      | K4 Typ: SNV2023 | 9825 690001 |

Schaltschrank  
control box

Input 2  
Blatt 7  
sheet

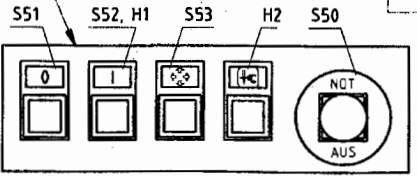
Output 1  
Blatt 7  
sheet

Blatt 4 Fehler SM-Verstärker  
sheet

Leiterplatte k. 9850 806004  
PCB

9870 806004 L38

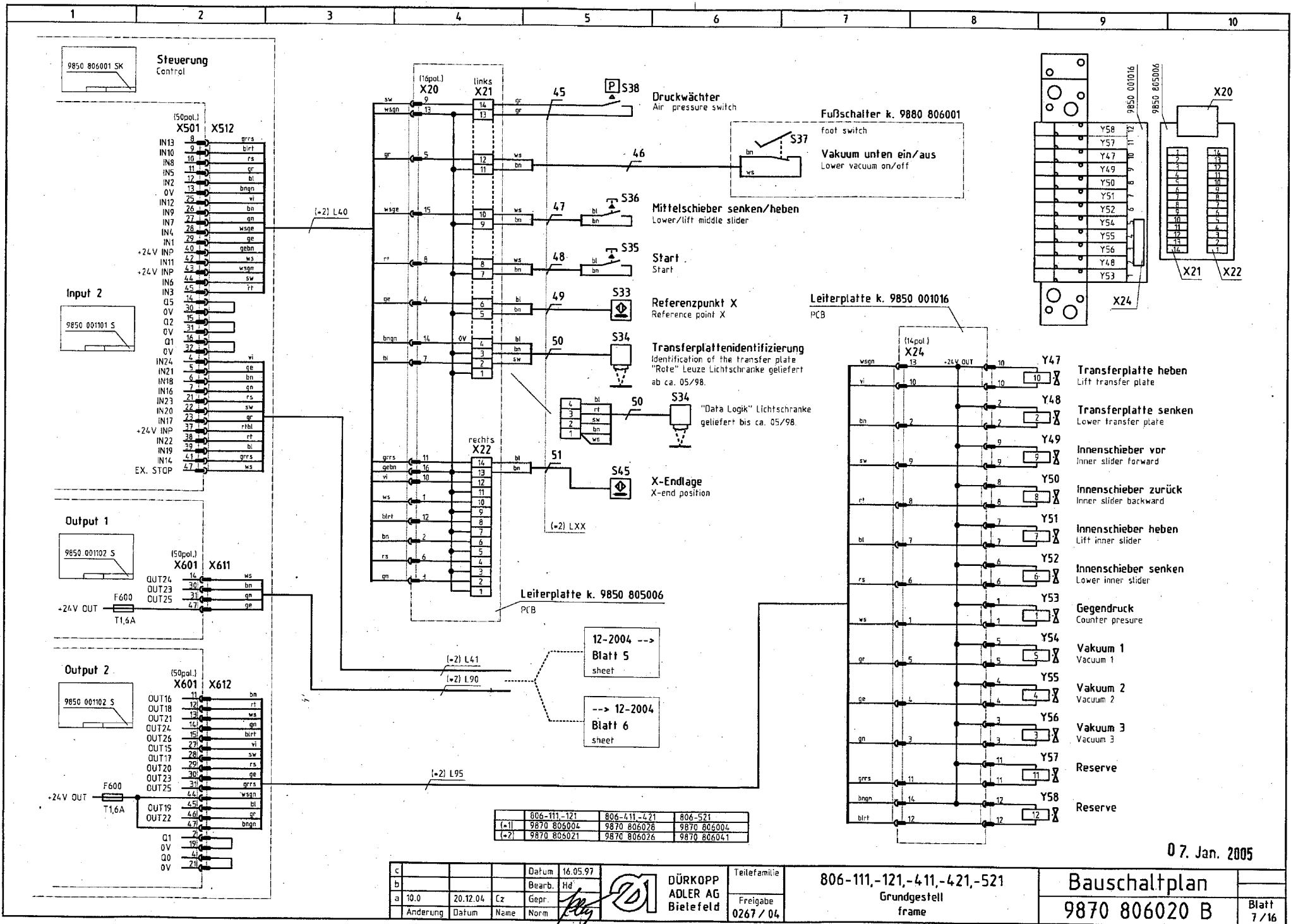
07. Jan. 2005



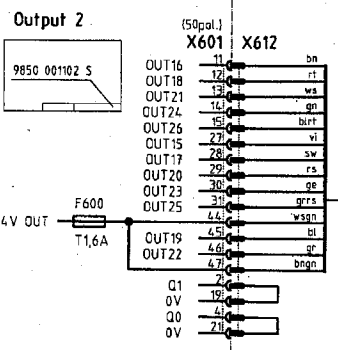
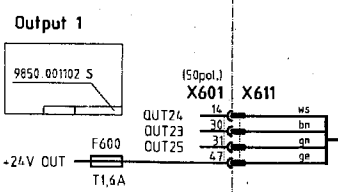
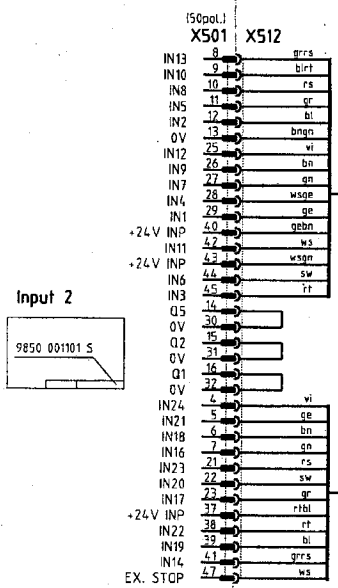
\* Brücke J65 offen ab Programmversion 806MA A02 (EPROM 9850 806002 EP01)  
Jumper J65 open from program version 806MA A02 (EPROM 9850 806002 EP01)

|      |              |              |             |
|------|--------------|--------------|-------------|
|      | 806-111,-121 | 806-411,-421 | 806-521     |
| (=1) | 9870 806004  | 9870 806028  | 9870 806004 |
| (=2) | 9870 806021  | 9870 806026  | 9870 806041 |

|   |          |          |       |          |                                  |             |   |                                |
|---|----------|----------|-------|----------|----------------------------------|-------------|---|--------------------------------|
| c |          |          | Datum | 16.05.97 | DÜRKOPP<br>ADLER AG<br>Bielefeld | Teilfamilie | 806-111,-121,-411,-421,-521<br>Schaltschrank, sicherer Halt<br>control box, safety stop | Bauschaltplan<br>9870 806020 B |
| b |          | Bearb.   | Hd    |          |                                  | Freigabe    |   |                                |
| a | 10.0     | 20.12.04 | Cz    | Gepr.    |                                  | 0267 / 04   |   | Blatt                          |
|   | Änderung | Datum    | Name  | Norm     |                                  |             |   | 6 / 16                         |



Steuerung  
Control



|      |              |              |             |
|------|--------------|--------------|-------------|
|      | 806-111,-121 | 806-411,-421 | 806-521     |
| (+1) | 9870 806004  | 9870 806026  | 9870 806004 |
| (+2) | 9870 806021  | 9870 806026  | 9870 806041 |

|   |           |          |           |
|---|-----------|----------|-----------|
| c |           | Datum    | 16.05.97  |
| b |           | Bearb.   | Hd        |
| a | 10.0      | 20.12.04 | Cz        |
|   | Aenderung | Datum    | Name Norm |



DÜRKOPP  
ADLER AG  
Bielefeld

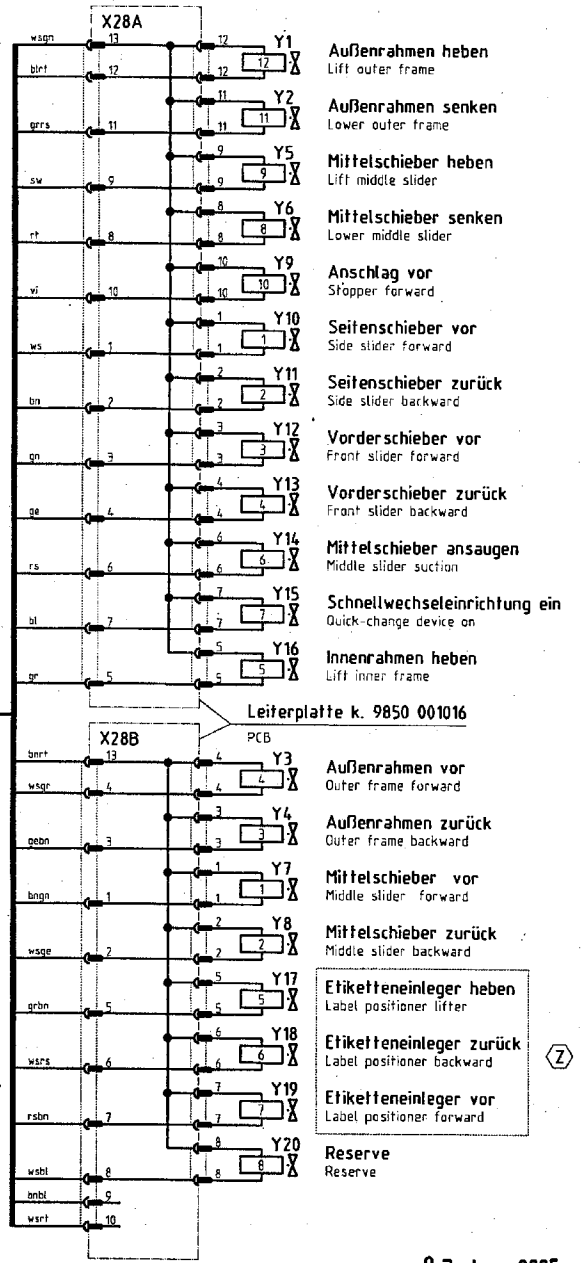
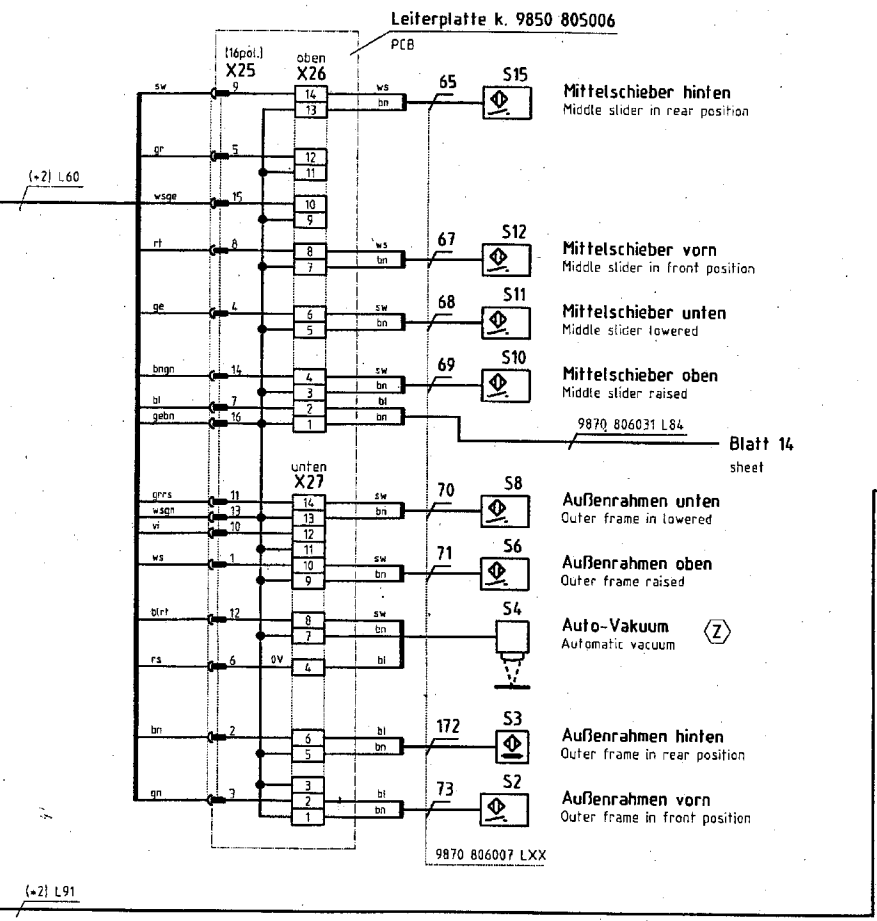
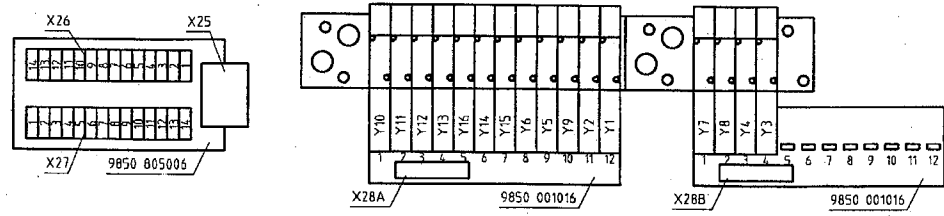
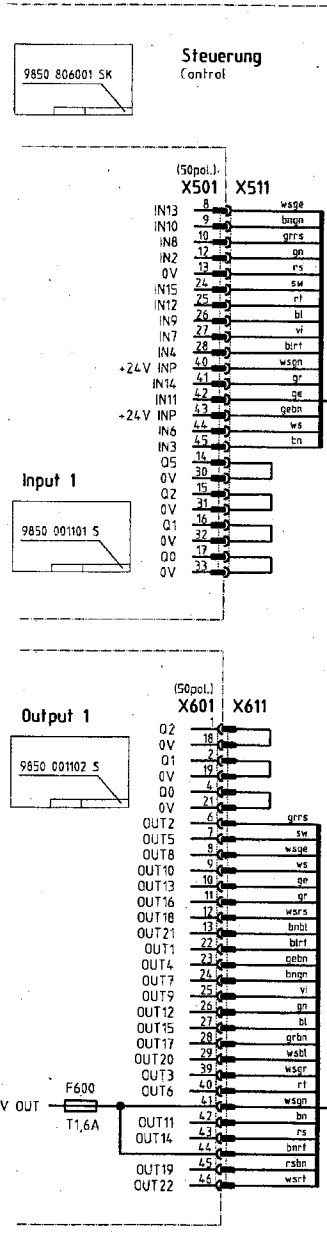
Teilefamilie  
806-111,-121,-411,-421,-521  
Freigabe  
0267 / 04  
Grundgestell  
frame

Bauschaltplan  
9870 806020 B

Blatt  
7 / 16

07. Jan. 2005





Schalter S3: bis 10/98 Teile-Nr. 9815 555026  
Schalter S3: ab 10/98 Teile-Nr. 0999 202390

|      |             |             |             |
|------|-------------|-------------|-------------|
|      | 806-111-121 | 806-411-421 | 806-521     |
| (=1) | 9870 806004 | 9870 806028 | 9870 806004 |
| (=2) | 9870 806021 | 9870 806026 | 9870 806041 |

(Z) Zusatzzeichnung  
Optional equipment

|   |          |          |           |          |
|---|----------|----------|-----------|----------|
| c |          |          | Datum     | 16.05.97 |
| b |          |          | Bearb. Hd |          |
| a | 10.0     | 20.12.04 | Cz Gepr.  |          |
|   | Änderung | Datum    | Name Norm |          |

**DI** DÜRKOPP  
ADLER AG  
Bielefeld

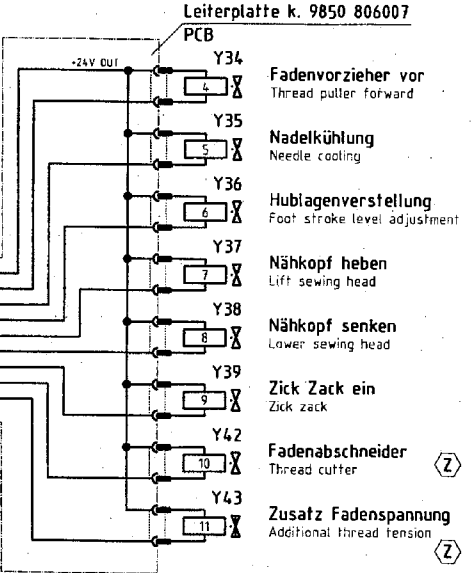
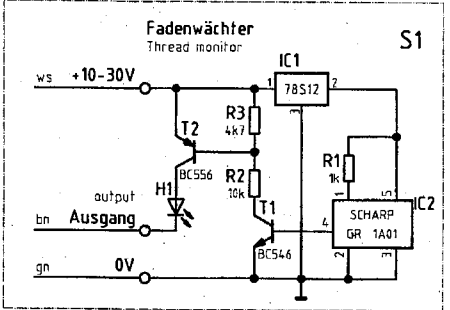
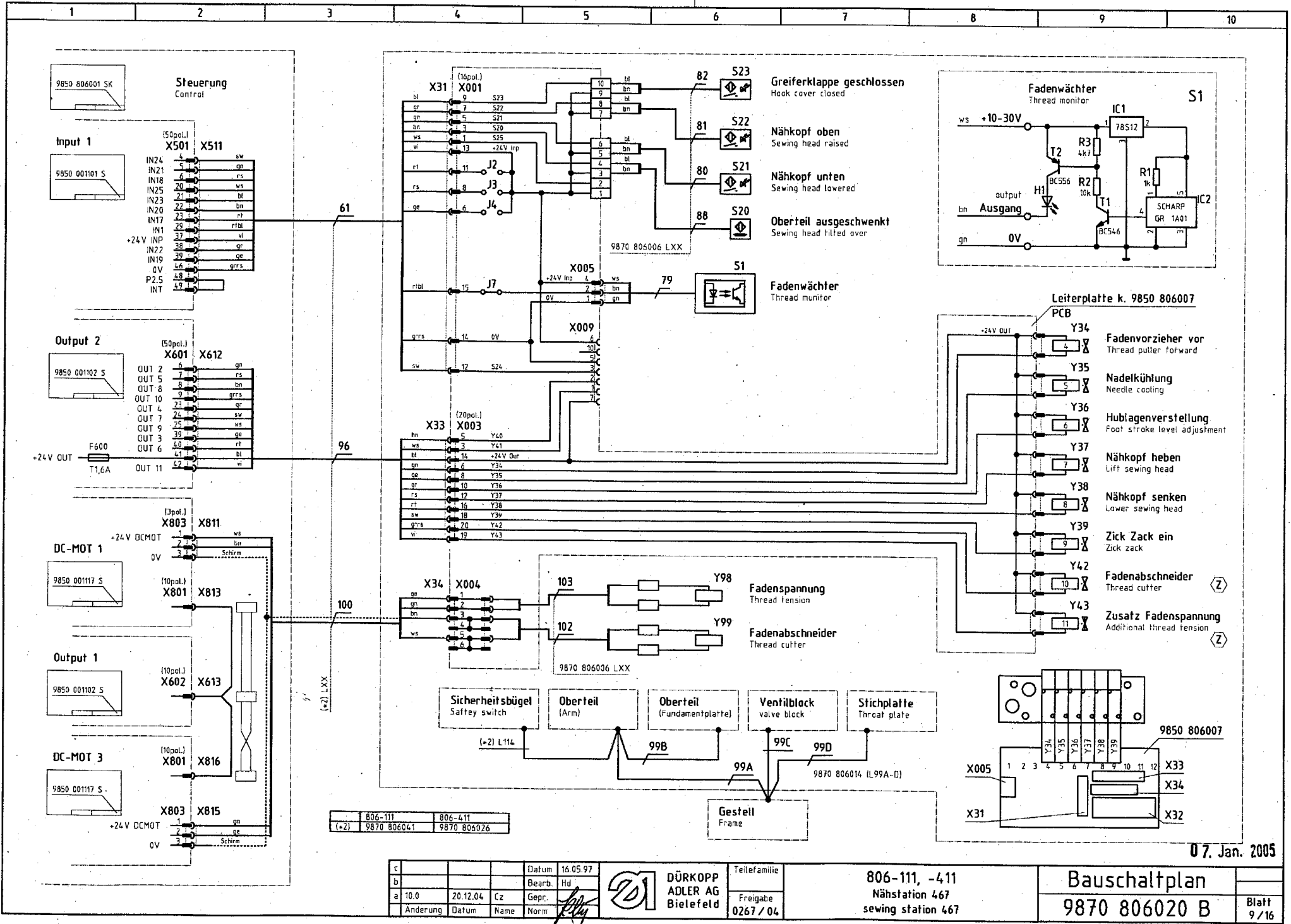
Teilfamilie  
Freigabe  
0267 / 04

806-111,-121,-411,-421,-521  
Umbgestation  
folding station

Bauschaltplan  
9870 806020 B

Blatt  
8 / 16

07. Jan. 2005



|                 |             |
|-----------------|-------------|
| 806-111         | 806-411     |
| (*) 9870 806004 | 9870 806026 |

|   |          |          |          |
|---|----------|----------|----------|
| c |          | Datum    | 16.05.97 |
| b |          | Bearb.   | Hd       |
| a | 10.0     | 20.12.04 | Cz       |
|   | Anderung | Datum    | Name     |



**DÜRKOPP ADLER AG**  
Bielefeld

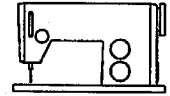
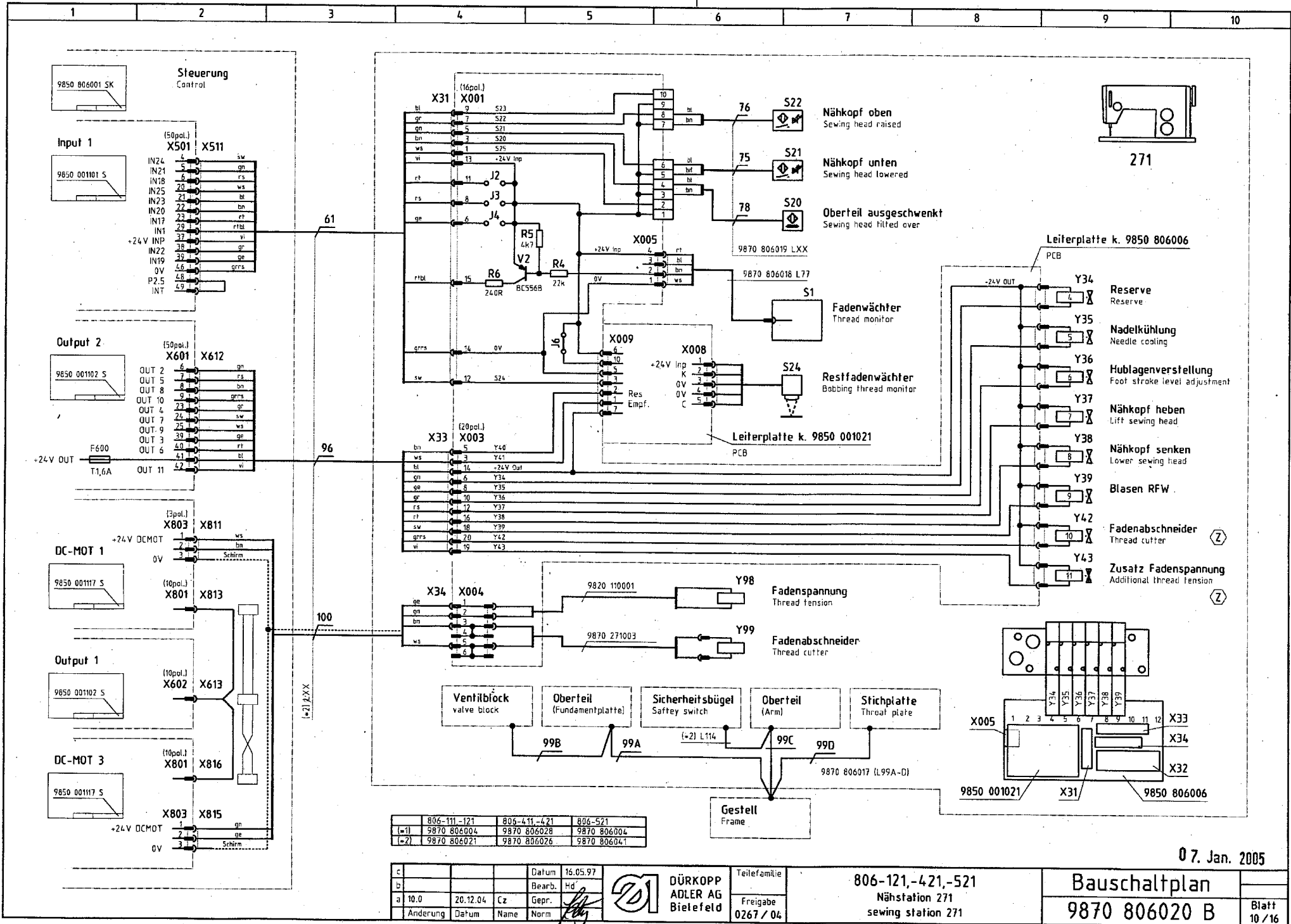
Teilefamilie  
Freigabe  
0267 / 04

806-111, -411  
Nähstation 467  
sewing station 467

**Bauschaltplan**  
9870 806020 B

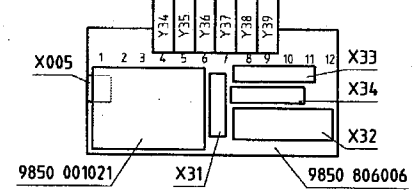
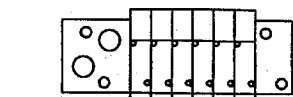
Blatt  
9 / 16

07. Jan. 2005



271

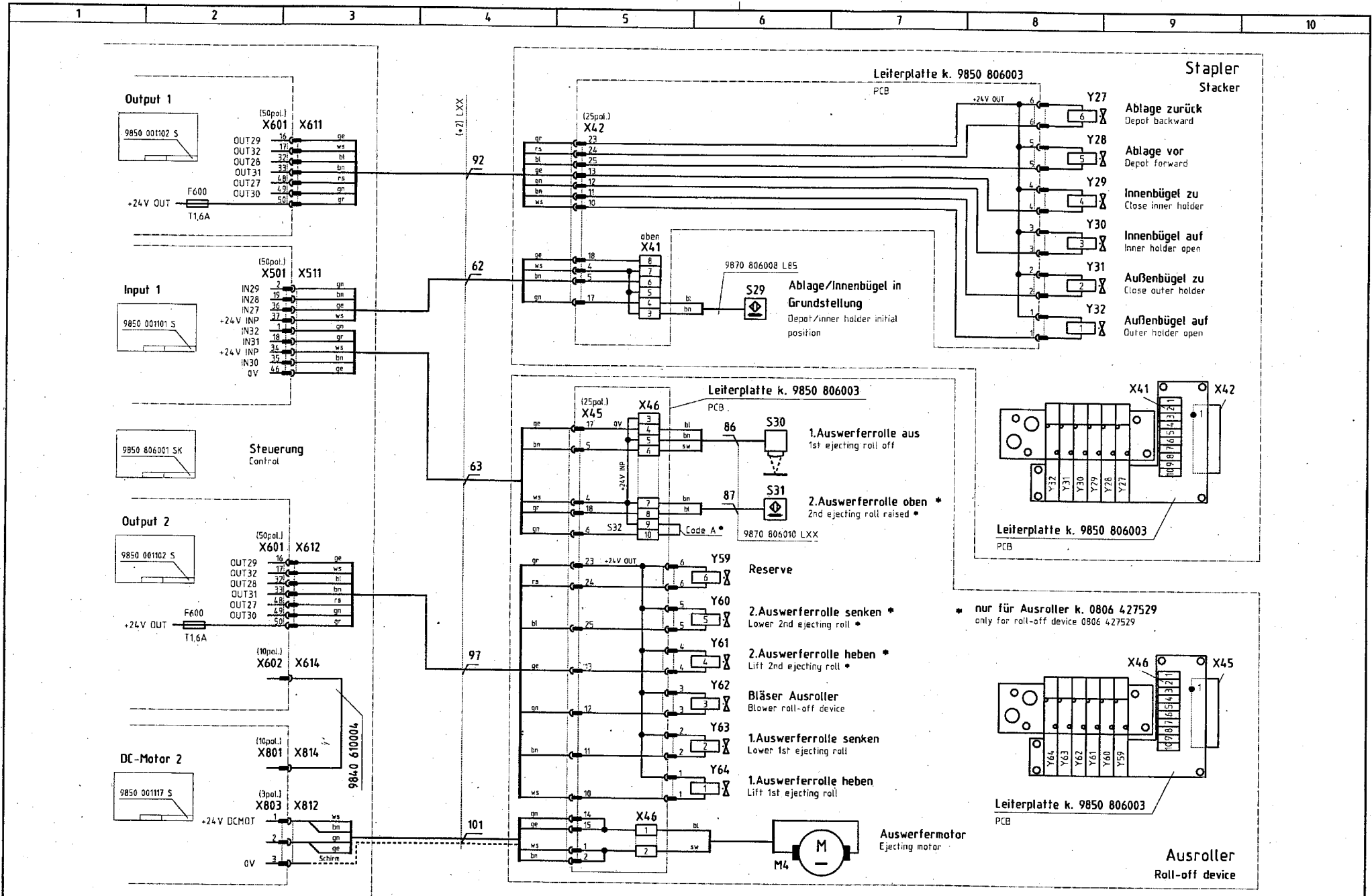
- Leiterplatte k. 9850 806006 PCB
- Y34 Reserve
- Y35 Nadelkühlung
- Y36 Hublagenverstellung
- Y37 Nähkopf heben
- Y38 Nähkopf senken
- Y39 Blasen RFW
- Y42 Fadenabschneider
- Y43 Zusatz Fadenspannung



|      |             |             |             |
|------|-------------|-------------|-------------|
|      | 806-111-121 | 806-411-421 | 806-521     |
| (-1) | 9870 806004 | 9870 806028 | 9870 806004 |
| (-2) | 9870 806021 | 9870 806026 | 9870 806041 |

07. Jan. 2005

|   |          |          |       |          |  |                                  |                                       |   |                                |                  |
|---|----------|----------|-------|----------|--|----------------------------------|---------------------------------------|---|--------------------------------|------------------|
| c |          |          | Datum | 16.05.97 |  | DÜRKOPP<br>ADLER AG<br>Bielefeld | Teitefamilie<br>Freigabe<br>0267 / 04 | 806-121,-421,-521<br>Nähstation 271<br>sewing station 271 | Bauschaltplan<br>9870 806020 B | Blatt<br>10 / 16 |
| a | 10.0     | 20.12.04 | Cz    | Gepr.    |  |                                  |                                       |   |                                |                  |
|   | Anderung | Datum    | Name  | Norm     |  |                                  |                                       |   |                                |                  |



|      |             |             |             |
|------|-------------|-------------|-------------|
|      | 806-111-121 | 806-411-421 | 806-521     |
| (+1) | 9870 806004 | 9870 806028 | 9870 806004 |
| (-2) | 9870 806021 | 9870 806026 | 9870 806041 |

|   |          |          |        |          |
|---|----------|----------|--------|----------|
| c |          |          | Datum  | 16.05.97 |
| b |          |          | Bearb. | Hd       |
| a | 10.0     | 20.12.04 | Gepr.  |          |
|   | Änderung | Datum    | Name   | Norm     |

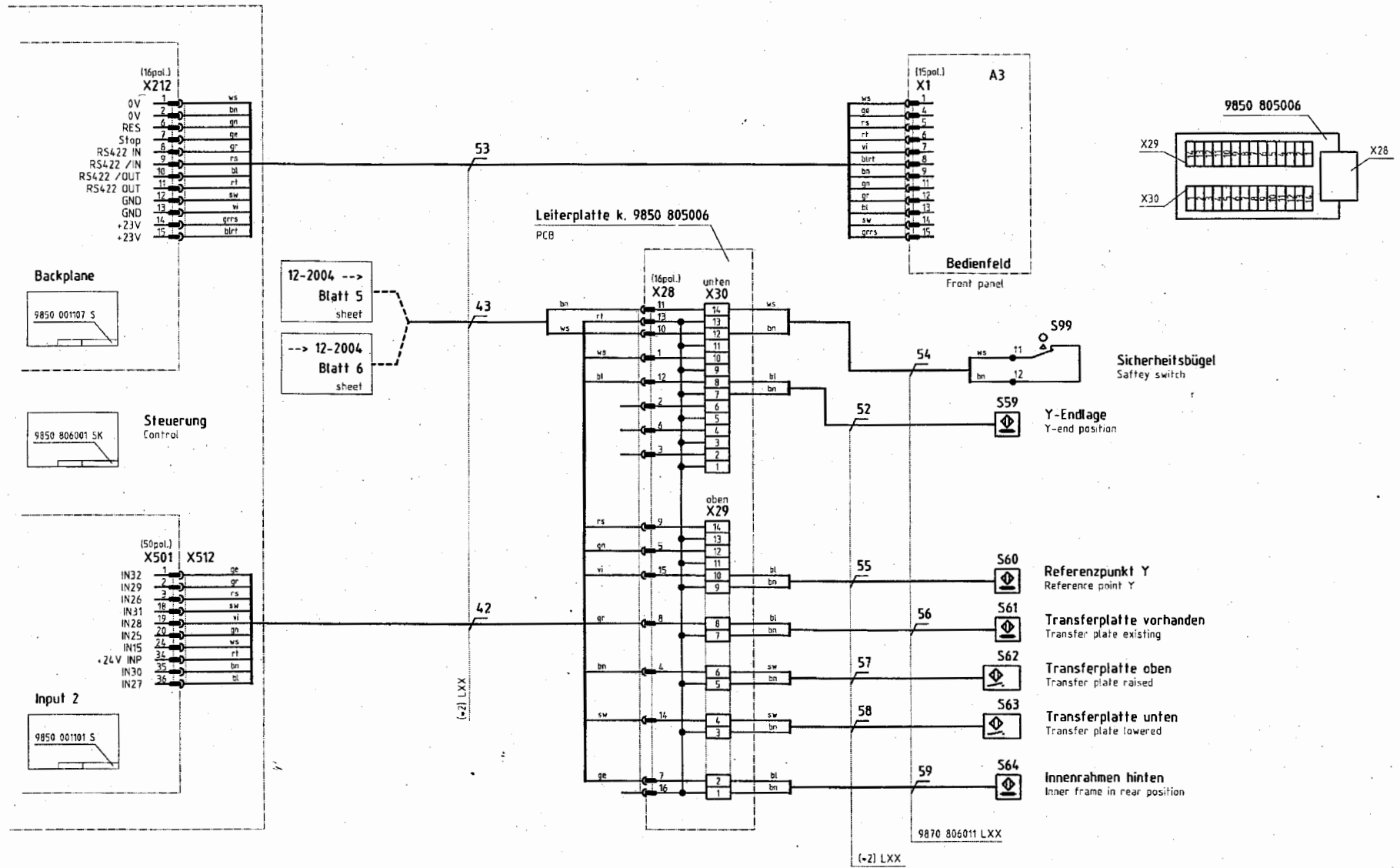


**DÜRKOPP ADLER AG**  
Bielefeld

Teilefamilie  
806-111,-121,-411,-421,-521  
Ausroller, Stapler  
roll-off device, stacker

07. Jan. 2005  
**Bauschaltplan**  
9870 806020 B  
Blatt 11/16

Freigabe  
0267 / 04



07. Jan. 2005

|      |             |             |
|------|-------------|-------------|
|      | 806-111-121 | 806-411-421 |
| (-2) | 9870 806041 | 9870 806026 |

|   |          |          |        |          |
|---|----------|----------|--------|----------|
| c |          |          | Datum  | 16.05.97 |
| b |          |          | Bearb. | Hd       |
| a | 10.0     | 20.12.04 | Cz     | Gepr.    |
|   | Anderung | Datum    | Name   | Norm     |

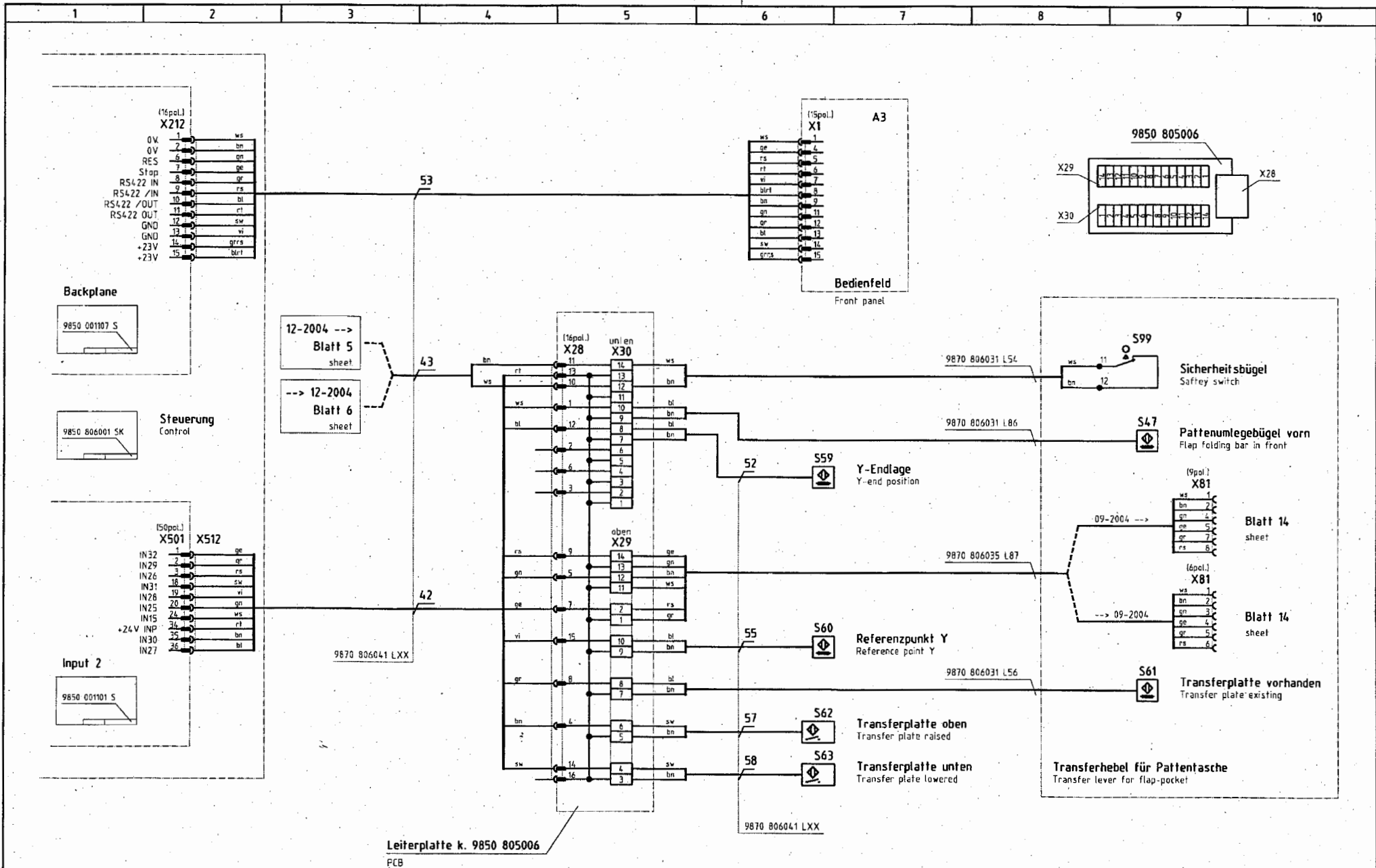


**DÜRKOPP ADLER AG**  
Bielefeld

Teilefamilie  
**806-111,-121,-411,-421**  
Bedienfeld und Transferplatte  
front panel and transfere plate

|                      |  |                  |
|----------------------|--|------------------|
| <b>Bauschaltplan</b> |  |                  |
| <b>9870 806020 B</b> |  | Blatt<br>12 / 16 |

Freigabe  
**0267 / 04**

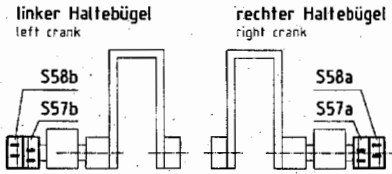


Leiterplatte k. 9850 805006  
PCB

07. Jan. 2005

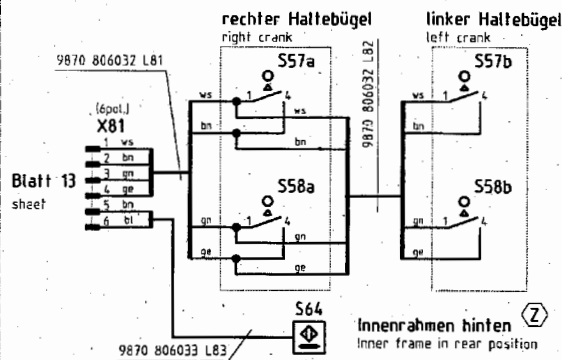
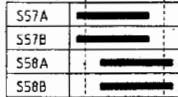
|   |          |          |           |          |              |                                      |               |               |
|---|----------|----------|-----------|----------|--------------|--------------------------------------|---------------|---------------|
| c |          |          | Datum     | 16.05.97 | Teilefamilie | 806-521                              | Bauschaltplan |               |
| b |          |          | Bearb. Hd |          |              |                                      |               |               |
| a | 10.0     | 20.12.04 | Cz        | Gepr.    | Freigabe     | Bedienfeld und Transferhebel (Patte) | 9870 806020 B |               |
|   | Anderung | Datum    | Name      | Norm     | 0267 / 04    | front panel and transferlever (flap) |               |               |
|   |          |          |           |          |              |                                      |               | Blatt 13 / 16 |

**Pattentransferplatte** So geliefert bis 08/2002  
Transferplate for flap



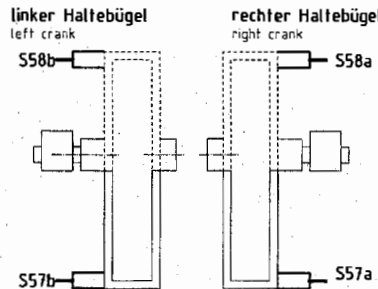
Haltebügel in Pattennähstellung  
Crank in flap sewing position

Haltebügel in Taschennähstellung  
Crank in pocket sewing position

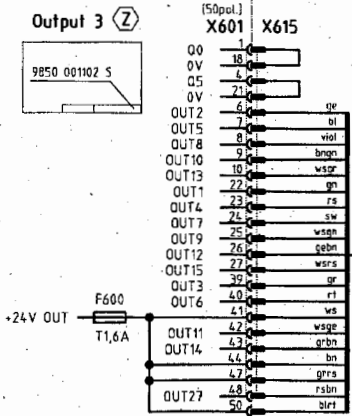
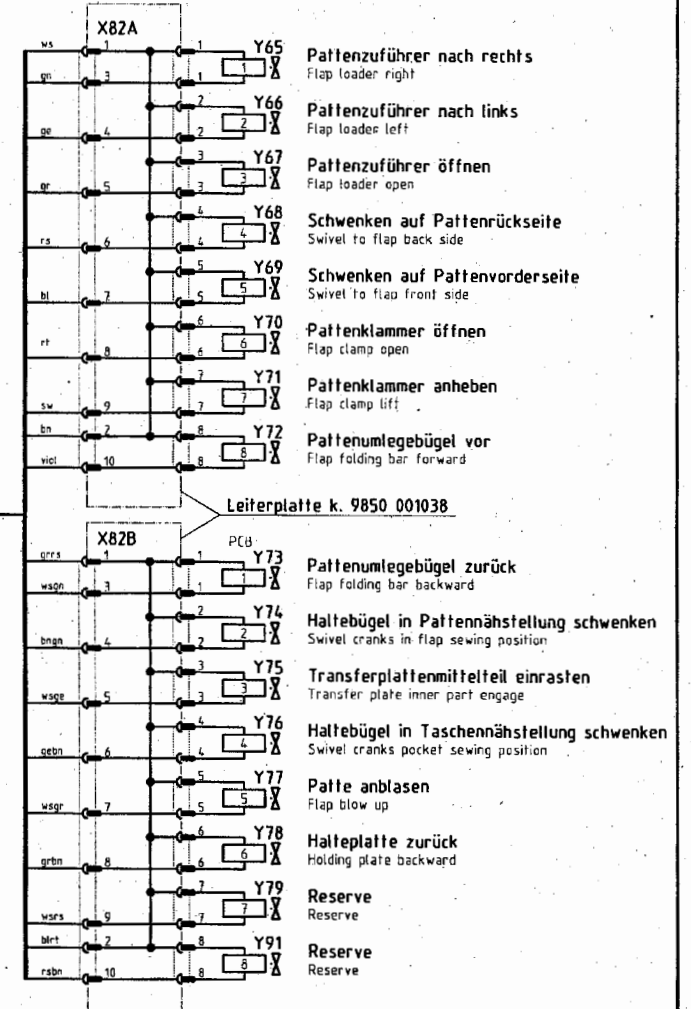
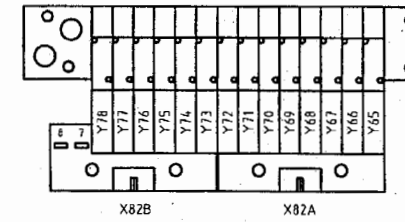
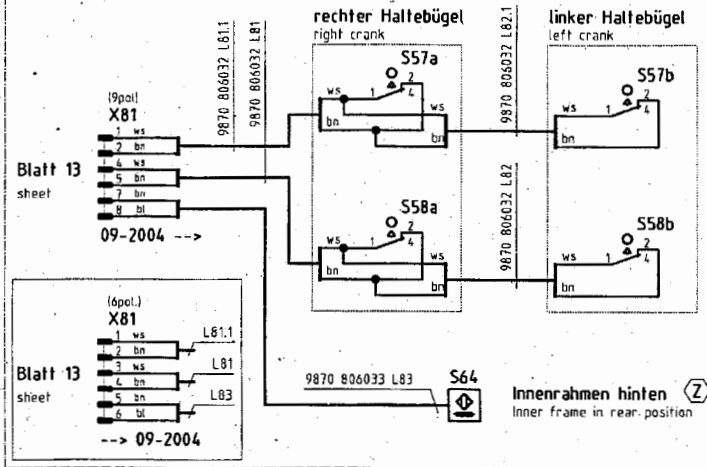


**Pattentransferplatte** So geliefert ab 09/2002  
Transferplate for flap

Haltebügel in Taschennähstellung  
Crank in pocket sewing position



Haltebügel in Pattennähstellung  
Crank in flap sewing position



(Z) Zusatzzeineichtung  
optional equipment

|   |          |          |        |              |
|---|----------|----------|--------|--------------|
| c |          |          | Datum  | 16.05.97     |
| b |          |          | Bearb. | Hd           |
| a | 10.0     | 20.12.04 | Gepr.  | <i>Flitz</i> |
|   | Anderung | Datum    | Name   | Norm         |



**DÜRKOPP  
ADLER AG**  
Bielefeld

Teilfamilie  
Freigabe  
0267 / 04

806-521  
Transferhebel (Patte)  
Transferlever (flap)

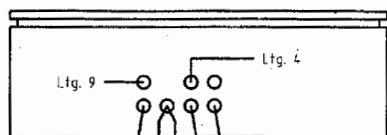
**Bauschaltplan**  
9870 806020 B

Blatt  
14 / 16

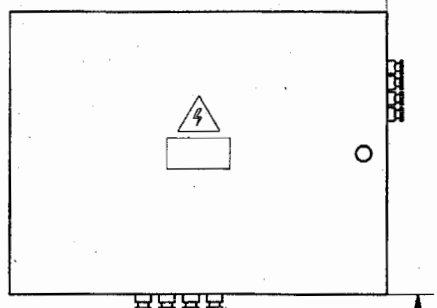
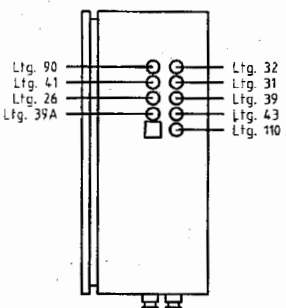
07. Jan. 2005

Schaltschrank  
Control box

A

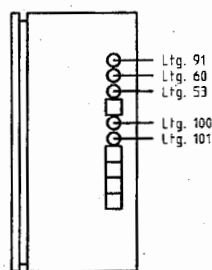


B

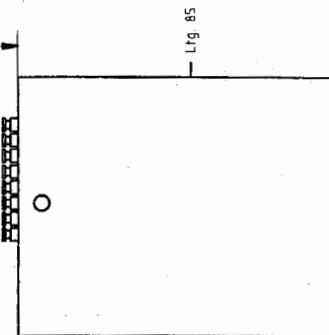


Steuerschrank  
Control box

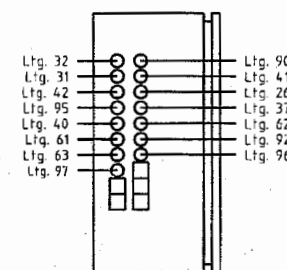
B



A



A



07. Jan. 2005

|   |          |          |        |          |                                  |             |   |                                |         |
|---|----------|----------|--------|----------|----------------------------------|-------------|---|--------------------------------|---------|
| c |          |          | Datum  | 16.05.97 | DÜRKOPP<br>ADLER AG<br>Bielefeld | Teilfamilie | 806-111,-121,-411,-421,-521<br>Schaltschrank<br>control box | Bauschaltplan<br>9870 806020 B |         |
| b |          |          | Bearb. | Hd       |                                  | Freigabe    |   |                                | Blatt   |
| a | 10.0     | 20.12.04 | Cz     | Gepr.    | <i>Sty</i>                       | 0267 / 04   |   |                                | 15 / 16 |
|   | Anderung | Datum    | Name   | Norm     |                                  |             |   |                                |         |



| 1          | 2           | 3              | 4            | 5            | 6         | 7                | 8             | 9               | 10                          |               |                    |
|------------|-------------|----------------|--------------|--------------|-----------|------------------|---------------|-----------------|-----------------------------|---------------|--------------------|
| Kurz.      | Teilenummer | Benennung      | denomination | Typ          | Bemerkung | Kurz.            | Teilenummer   | Benennung       | denomination                | Typ           | Bemerkung          |
| C81        | 9810 121056 | Kondensator    | capacitor    | 2µ2          |           | A1               | 9835 101006   | Verstärker, -SM | amplifier                   | WDM3-008.9802 |                    |
| C82        | 9810 130001 | Kondensator    | capacitor    | 1n5          |           | A2               | 9850 001004   | Bedienfeld      | front panel                 |               |                    |
| C83        | 9810 150233 | Kondensator    | capacitor    | 220n         |           | A3               | 9835 501004   | Laser           | Laser                       |               |                    |
| C64        | 9810 111405 | Kondensator    | capacitor    | 470µF/63V    |           | B1               | 9800 327003   | Positionsgeber  | position transmitter        | P7-1          |                    |
| C66        | 9810 110505 | Kondensator    | capacitor    | 4,7µF/63V    |           | E1               | 9822 510001   | Nähleuchte      | sewing lamp                 | 12V/20W       |                    |
| C67        | 9810 110605 | Kondensator    | capacitor    | 10µF/63V     |           | E1.1             | 9822 642024   | Lampe           | lamp                        | 12V/20W       |                    |
| IC81       | 0798 166527 | IC-Comparator  |              | LM393N       |           | F1               | 9825 810411   | Sicherung       | fuse                        | T1,0A         | 5x20mm             |
| IC82, IC63 | 0999 202384 | IC-Optokoppler |              | PC849        |           | F2               | 9825 810415   | Sicherung       | fuse                        | T2,5A         | 5x20mm             |
| J63-J65    | 0798 422603 | Leitungsbrücke | jumper       |              |           | F3               | 9825 810413   | Sicherung       | fuse                        | T1,6A         | 5x20mm             |
| K61-K64    | 9825 611006 | Relais         | relais       | D2n, 24V, 2W |           | F4, F5           | 9825 810418   | Sicherung       | fuse                        | T8A           | 5x20mm             |
| R61, R62   | 9810 321119 | Widerstand     | resistor     | 5k6          |           | F6               | 9825 810403   | Sicherung       | fuse                        | T0,16         | 5x20mm             |
| R63, R68   | 9810 321109 | Widerstand     | resistor     | 2k2          |           | H1, H2           | 9822 633000   | Lampe           | lamp                        | 24V, 1,2W     |                    |
| R64        | 9810 321151 | Widerstand     | resistor     | 100k         |           | K1-K3            | 9825 681003   | Schütz          | contactor                   | BC7-30-01-F   |                    |
|            | 9810 321126 | Widerstand     | resistor     | 10k          |           | K4               | 9825 690001   | Relais, NOT-AUS | relais, emergency stop      | SNV 2023      | ⇒ 12/2004          |
| R65        | 9810 321176 | Widerstand     | resistor     | 1M           |           | K4               | 9825 690002   | Relais, NOT-AUS | relais, emergency stop      | SNV 4063KL    | 12/2004 ⇒          |
| R66        | 9810 321130 | Widerstand     | resistor     | 15k          |           | M1               | 9800 130011 R | Nähantrieb      | sewing motor                | DC1600/AB85A  | 1x190-240V 50/60Hz |
| R67, R69   | 9810 321109 | Widerstand     | resistor     | 2k2          |           | M2, M3           | 9800 580008   | Schrittmotor    | step motor                  | VRDM 31122/50 |                    |
| R71, R72   | 9810 428101 | Widerstand     | resistor     | 8x1k, DIL    |           | M4               | 9800 560002   | Motor, DC       | motor dc                    |               |                    |
| R73, R74   | 9810 321063 | Widerstand     | resistor     | 33R          |           | M5               | 9800 551000   | Filterlüfter    | ventilation motor w. filter | FLF02         | 230V               |
| R76        | 9805 180001 | Transistor     | transistor   | BC 556B      |           | M5.1             | 9800 551001   | Austrittsfilter | filter                      | AFF02         |                    |
| V61        | 0798 160207 | Diode          | diode        | BAW76        |           | Q1               | 9815 580006   | Hauptschalter   | main switch                 |               |                    |
| V62        | 0798 160409 | Zenerdiode     | z-diode      | BZX55C 5V1   |           | R1               | 9810 321113   | Widerstand      | resistor                    | 3k3/0,5W      |                    |
| V63        | 9805 111001 | Diode          | diode        | 1N4007       |           | S1.1             | 9815 740001   | Fadenwächter    | thread monitor              | IDS/D         | Oberteil 271       |
| V64-V70    | 0798 160207 | Diode          | diode        | BAW76        |           | S1.2             | 9880 806003   | Fadenwächter    | thread monitor              |               | Oberteil 467       |
| V73, V74   | 9805 111001 | Diode          | diode        | 1N4007       |           | S2               | 9815 555026   | Magnetschalter  | magnetic switch             | QM/45/RAP     | ⇒ 08/2001          |
| V75        | 9825 351404 | Steckleiste    | plug         | 14pol.       |           | S2               | 9815 555028   | Magnetschalter  | magnetic switch             | M/50/LSU      | 09/2001 ⇒          |
| X61        | 9825 350503 | Steckleiste    | plug         | 5pol.        |           | S3, S20, S29     | 0999 202390   | Induktivgeber   | aproximate switch           | M12x1         |                    |
| X62        | 9825 351005 | Steckleiste    | plug         | 10pol.       |           | S4               | 9815 920012   | Lichtschranke   | light barrier               |               |                    |
| X63        | 9825 351007 | Steckleiste    | plug         | 10pol.       |           | S6, S8, S10, S11 | 9815 555001   | Magnetschalter  | magnetic switch             | Festo         |                    |
| X64        | 9825 350603 | Steckleiste    | plug         | 6pol.        |           | S12, S15         | 9815 555050   | Magnetschalter  | magnetic switch             | Rogatti       |                    |
| X65        | 9825 350401 | Steckleiste    | plug         | 4pol.        |           | S21, S22         | 9815 555024   | Magnetschalter  | magnetic switch             | QM/32/2       |                    |
| X68        | 9825 350303 | Steckleiste    | plug         | 3pol.        |           | S23, S64         | 9815 710100   | Induktivgeber   | aproximate switch           | M8x1          |                    |
| X69        | 9825 580201 | Steckleiste    | plug         | 2pol.        |           | S30, S34         | 9815 920012   | Lichtschranke   | light barrier               |               |                    |
| X70        | 9825 371528 | Buchsenleiste  | plug         | 15pol.       |           | S31, S33         | 0999 202390   | Induktivgeber   | aproximate switch           | M12x1         |                    |
| X71, X73   | 9825 350703 | Stiftleiste    | plug         | 7pol.        |           | S35, S36         | 0999 202238   | Taster          | push button key             |               |                    |
| X72, X74   |             |                |              |              |           | S37              | 9880 806001   | Fußschalter     | foot switch                 |               |                    |
|            |             |                |              |              |           | S38              | 0999 220829   | Druckschalter   | air pressure switch         |               |                    |
|            |             |                |              |              |           | S50              | 9815 101002   | Taste, NOT-AUS  | key, emergency stop         |               |                    |
|            |             |                |              |              |           | S45, S59- S61    | 0999 202390   | Induktivgeber   | aproximate switch           | M12x1         |                    |
|            |             |                |              |              |           | S51.1            | 9815 101001   | Taste, rot      | knob, red                   |               |                    |
|            |             |                |              |              |           | S51.2            | 9815 101076   | Schaltelement   | switch                      |               |                    |
|            |             |                |              |              |           | S52.1            | 9815 101025   | Taste, grün     | knob, green                 |               |                    |
|            |             |                |              |              |           | S52.2            | 9815 101075   | Schaltelement   | switch                      |               |                    |
|            |             |                |              |              |           | S53.1            | 9815 101000   | Taste, schwarz  | knob, black                 |               |                    |
|            |             |                |              |              |           | S53.2            | 9815 101076   | Schaltelement   | switch                      | M12x1         |                    |
|            |             |                |              |              |           | S62, S63         | 9815 555001   | Magnetschalter  | magnetic switch             | Festo         |                    |
|            |             |                |              |              |           | S99              | 0798 423106   | Endtaster       | micro switch                |               |                    |
|            |             |                |              |              |           | T1               | 9810 810001   | Transformator   | transformer                 | 19V, 28V      |                    |
|            |             |                |              |              |           | T2               | 9810 820004   | Transformator   | transformer                 | 20V, 25V, 30V |                    |
|            |             |                |              |              |           | T3               | 0798 500088   | Nählichtrafo    | transformer                 | 12V           | 25VA               |
|            |             |                |              |              |           | V56              | 9805 120001   | Gleichrichter   | rectifier                   | MB252         | 25A, 200V          |
|            |             |                |              |              |           | Z1, Z2           | 9810 719003   | Ferit-Joch      | ferrite clamp               |               |                    |
|            |             |                |              |              |           | Z3, Z4           | 9810 719001   | Ferit-Joch      | ferrite clamp               |               |                    |
|            |             |                |              |              |           | Z5               | 9810 719025   | Ferit-Kern      | ferrite clamp               |               |                    |

9870 806020 B/15

07. Jan. 2005

|   |          |          |        |          |
|---|----------|----------|--------|----------|
| c |          |          | Datum  | 16.05.97 |
| b |          |          | Bearb. | Hd       |
| a | 10.0     | 20.12.04 | Cz     | Gepr.    |
|   | Anderung | Datum    | Name   | Norm     |



DÜRKOPP  
ADLER AG  
Bielefeld

|             |           |
|-------------|-----------|
| Teilfamilie |           |
| Freigabe    | 0267 / 04 |

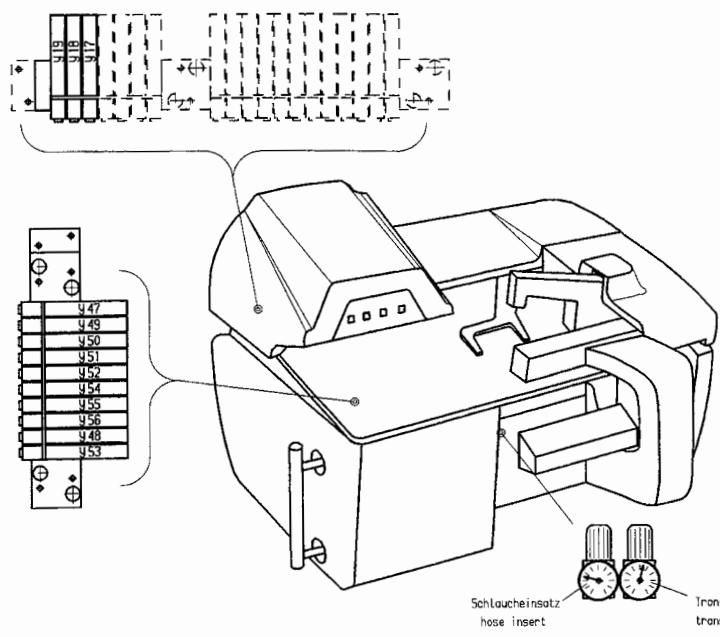
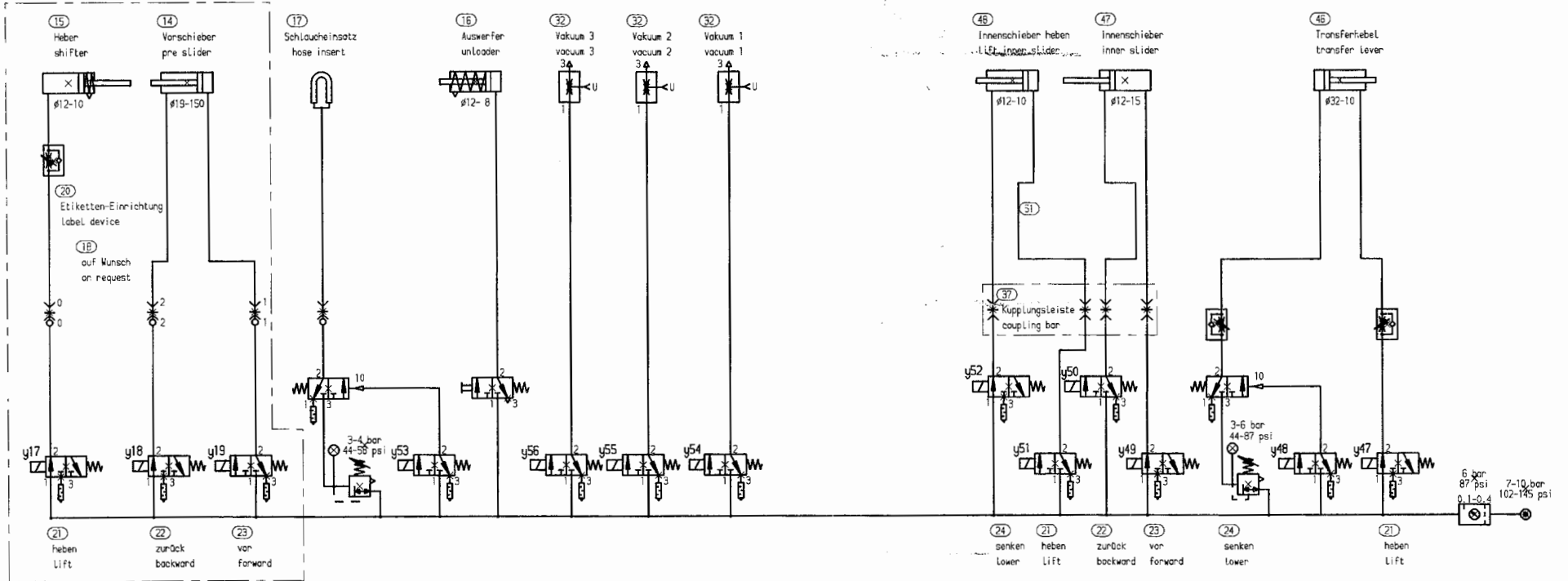
806-111,-121,-411,-421,-521

Teilleiste  
part list

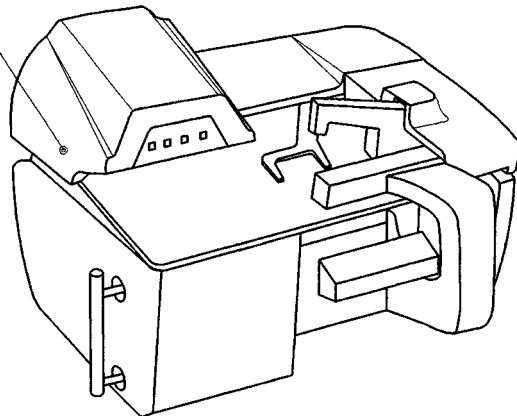
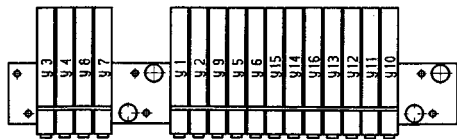
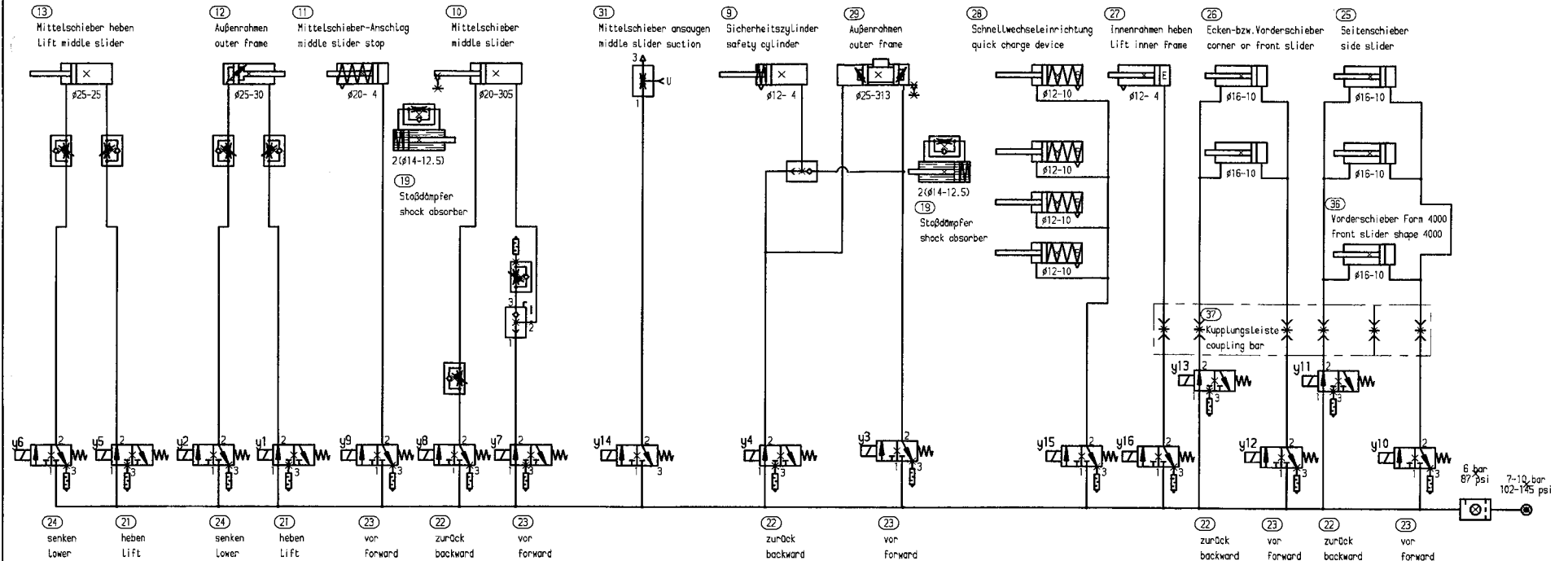
Bauschaltplan


9870 806020 B

Blatt  
16 / 16



|  |     |      |       |              |      |         |         |  |      |
|--|-----|------|-------|--------------|------|---------|---------|--|------|
|  |     |      |       | Tag 11.07.97 | gez. | Brockm. | gepr.   |  | ges. |
| Pneumatik Schaltplan<br>pneumatic circuit plan<br>für 806-111/121<br>for 806-111/121 |     |      |       |              |      |         |         |  |      |
| DÜRKOPP ADLER AG<br>9770 806001  |     |      |       |              |      |         |         |  |      |
| Änd.   | Tag | gez. | gepr. | Blatt 2      |      |         | Blatt 3 |  |      |



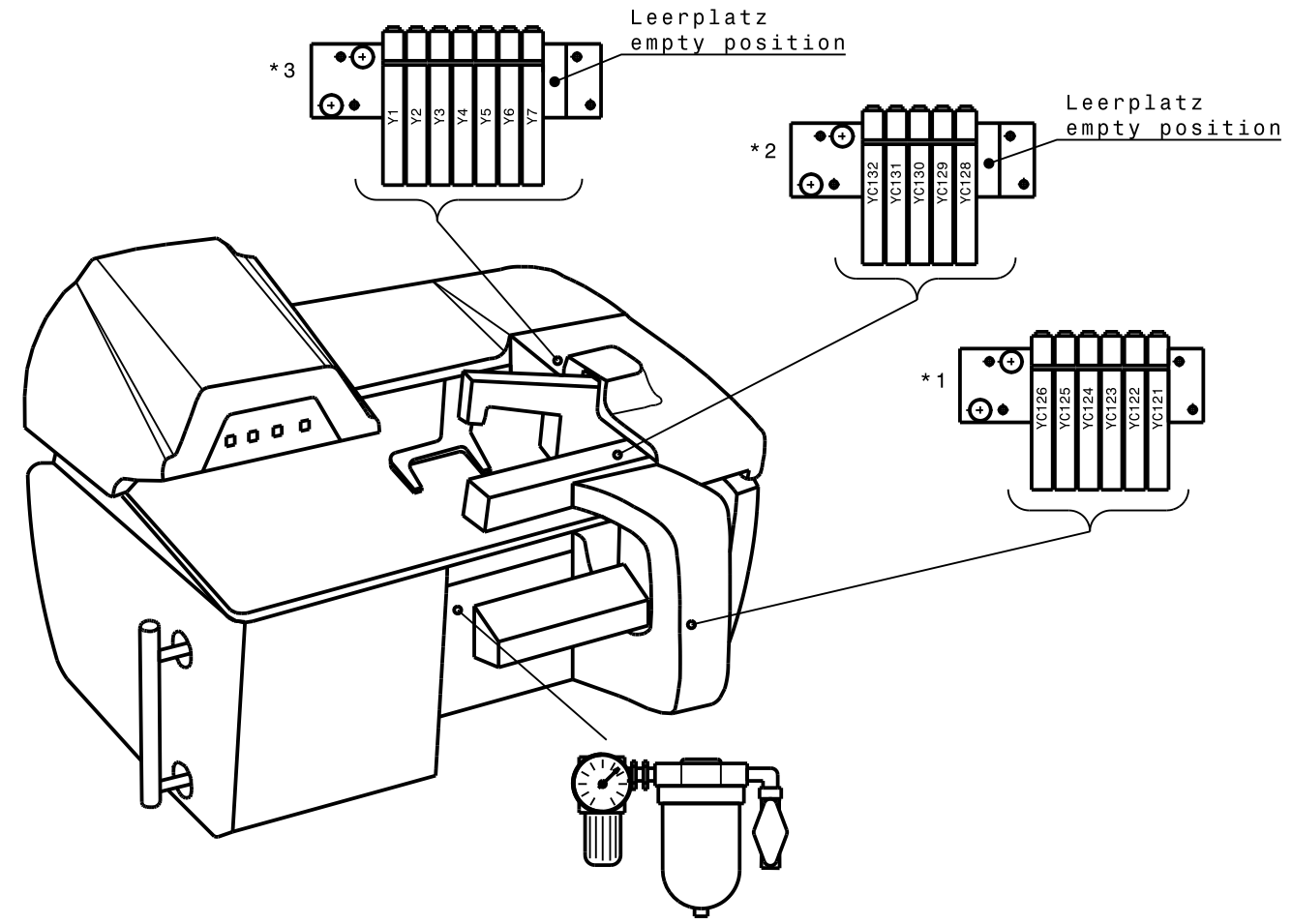
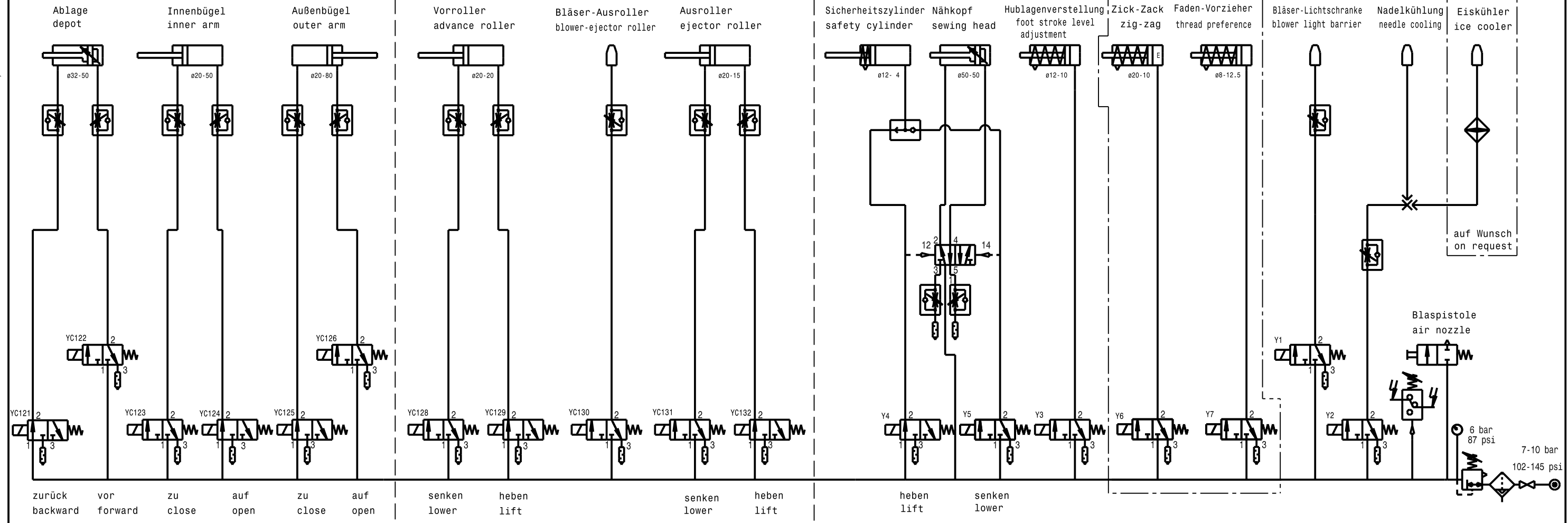
|  |     |      |       |              |              |       |  |  |
|--|-----|------|-------|--------------|--------------|-------|--|--|
|  |     |      |       | Tag 11.07.97 | gez. Brockm. | gepr. |  | ges.   |
| Pneumatik Schaltplan<br>pneumatic circuit plan<br>für 806-111/121<br>for 806-111/121 |     |      |       |              |              |       |  | <br>DÜRKOPP ADLER AG<br>9770 806001 |
| Änd.   | Tag | gez. | gepr. |              |              |       |  |  |

Für diese technische Unterlage behalten wir uns den Urheberrechtsschutz gemäß DIN 94, Absatz 2.1 vor.

STAPLER\*1  
STACKER\*1

AUSROLLER\*2  
ROLL-OFF DEVICE\*2

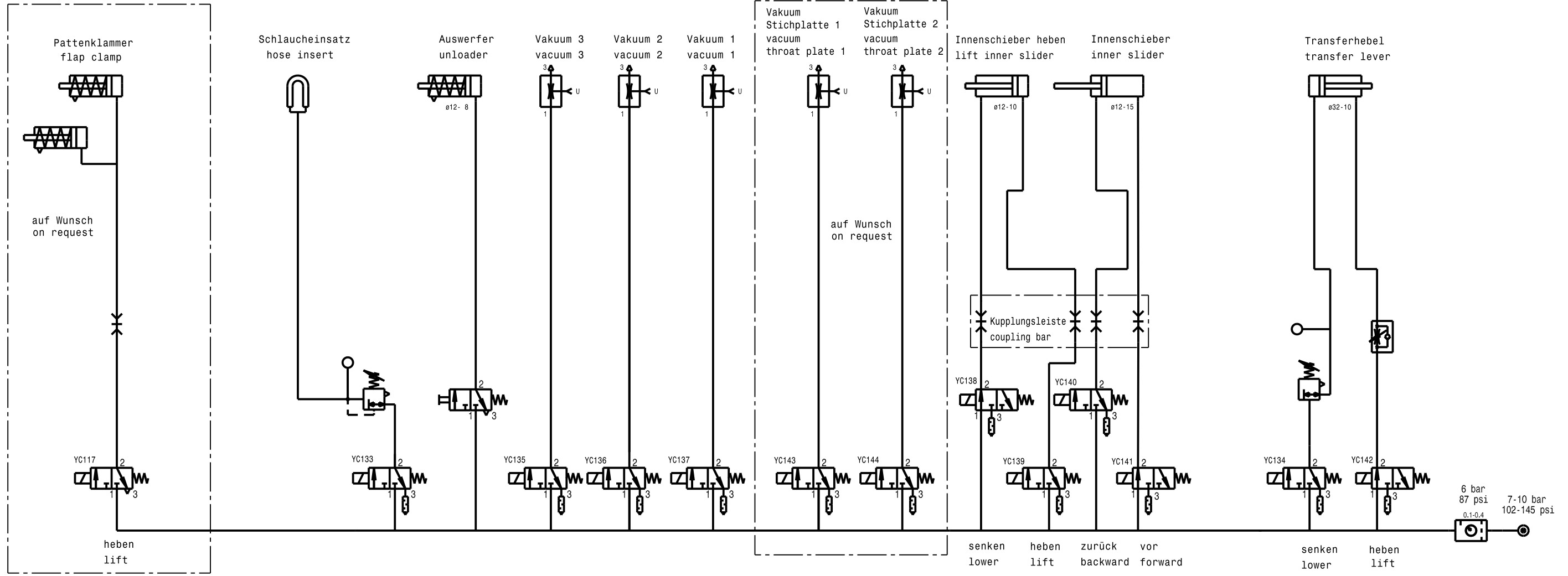
NÄHSTATION\*3  
SEWING STATION\*3



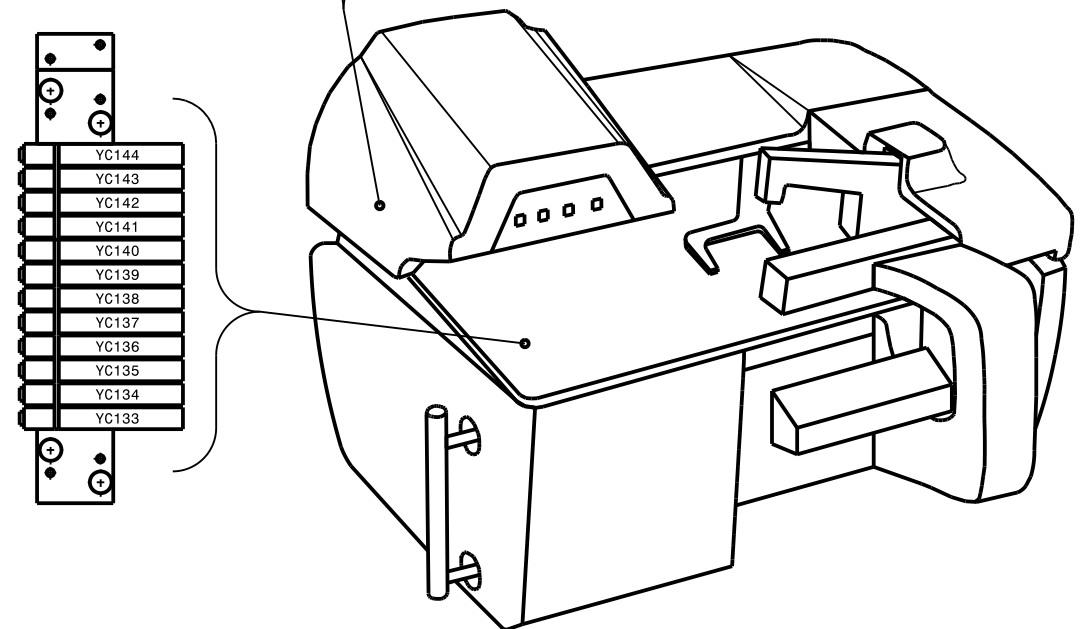
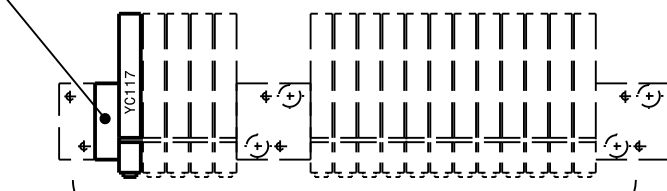
|                        |     |      |       |     |            |      |         |       |       |      |       |   |         |   |
|------------------------|-----|------|-------|-----|------------|------|---------|-------|-------|------|-------|---|---------|---|
|                        |     |      |       | Tag | 2012.11.27 | gez. | Schild. | gepr. | Isaak | ges. |       |   |         |   |
| Pneumatik Schaltplan   |     |      |       |     |            |      |         |       |       |      |       |   |         |   |
| pneumatic circuit plan |     |      |       |     |            |      |         |       |       |      |       |   |         |   |
| für 806-111/121        |     |      |       |     |            |      |         |       |       |      |       |   |         |   |
| for 806-111/121        |     |      |       |     |            |      |         |       |       |      |       |   |         |   |
| Änd.                   | Tag | gez. | gepr. |     |            |      |         |       |       |      | Blatt | 1 | Blattz. | 3 |



DÜRKOPP ADLER AG  
9770 806003

Für diese technische Unterlage behalten wir uns den Urheberrechtsschutz gemäß DIN 94, Absatz 2.1 vor.



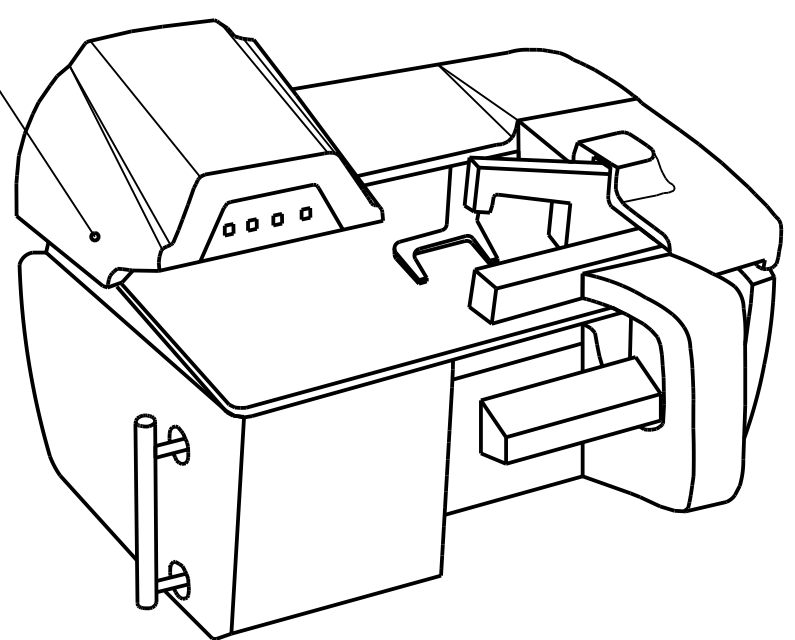
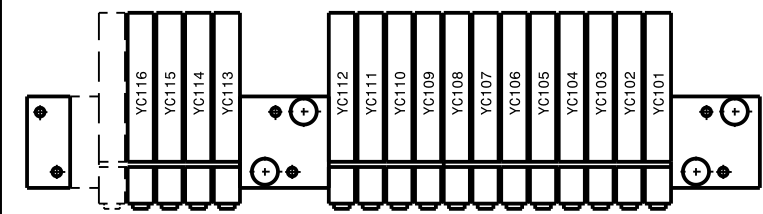
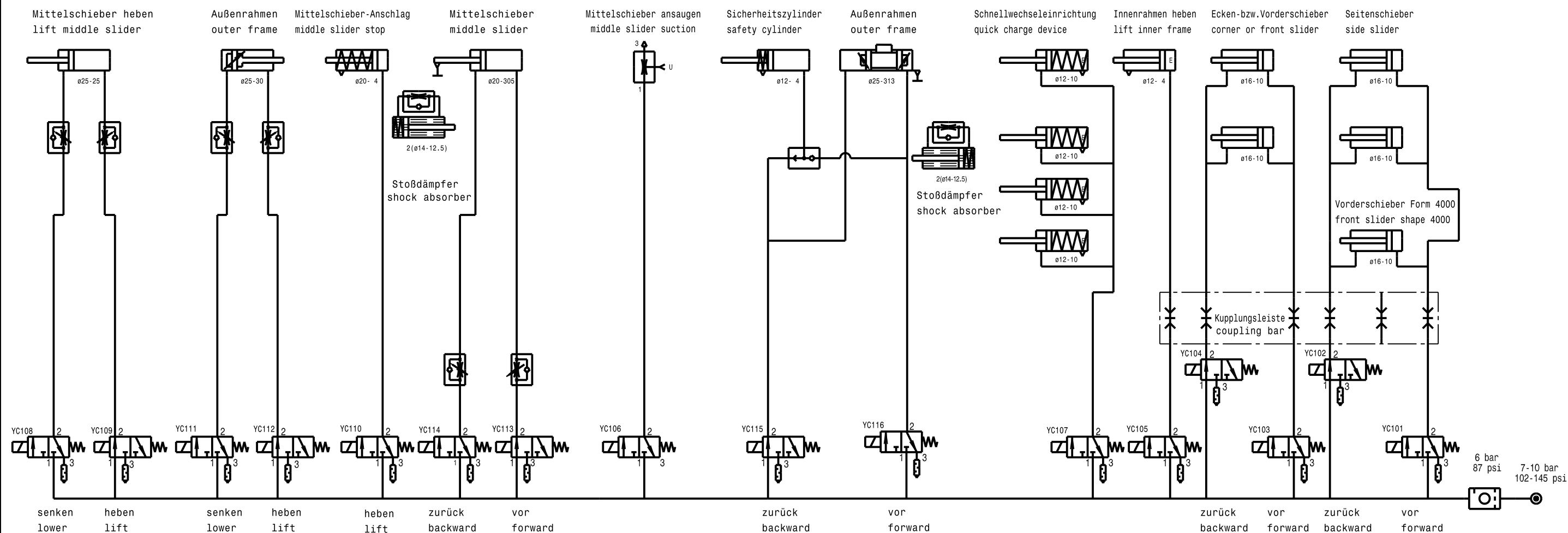
Leerplatz empty position




-  Transferhebel transfer lever
-  Schlaucheinsatz hose insert

|  |     |      |       |     |            |      |         |       |       |      |         |
|--|-----|------|-------|-----|------------|------|---------|-------|-------|------|---------|
|  |     |      |       | Tag | 2012.11.27 | gez. | Schild. | gepr. | Isaak | ges. |         |
| Pneumatik Schaltplan<br>pneumatic circuit plan<br>für 806-111/121<br>for 806-111/121 |     |      |       |     |            |      |         |       |       |      |         |
| Änd.   | Tag | gez. | gepr. |     |            |      |         |       |       |      | Blatt 2 |
| DÜRKOPP ADLER AG<br>9770 806003  |     |      |       |     |            |      |         |       |       |      |         |
| Blattz. 3  |     |      |       |     |            |      |         |       |       |      |         |

Für diese technische Unterlage behalten wir uns den Urheberrechtsschutz gemäß DIN 94, Absatz 2.1 vor.



|   |     |      |       |     |            |      |         |       |       |      |  |
|---|-----|------|-------|-----|------------|------|---------|-------|-------|------|--|
|   |     |      |       | Tag | 2012.11.27 | gez. | Schild. | gepr. | Isaak | ges. |  |
| Pneumatik Schaltplan  |     |      |       |     |            |      |         |       |       |      |  |
| pneumatic circuit plan  |     |      |       |     |            |      |         |       |       |      |  |
| für 806-111/121   |     |      |       |     |            |      |         |       |       |      |  |
| for 806-111/121   |     |      |       |     |            |      |         |       |       |      |  |
| Änd.  | Tag | gez. | gepr. |     |            |      |         |       |       |      |  |
| <br>DÜRKOPP ADLER AG<br>9770 806003<br>Blatt 3 Blattz. 3 |     |      |       |     |            |      |         |       |       |      |  |



DÜRKOPP ADLER GmbH

Potsdamer Straße 190

33719 Bielefeld

GERMANY

Phone +49 (0) 521 / 925-00

E-mail [service@duerkopp-adler.com](mailto:service@duerkopp-adler.com)

[www.duerkopp-adler.com](http://www.duerkopp-adler.com)

